

BEFCO®

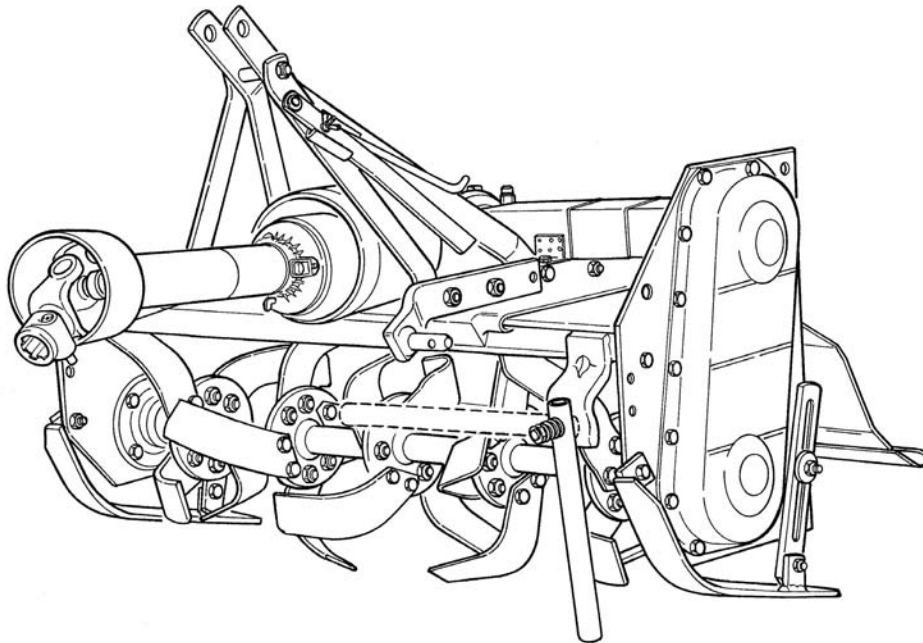
Operator's Manual

SERIES G

Side-Shift Rotary Tiller

G34-231, G42-231, G50-231

G34-530, G42-530, G50-530



The operator's manual is a technical service guide and must always accompany the machine.

Manual 960-100B

May 2010

SAFETY

Take note! This safety alert symbol found throughout this manual is used to call your attention to instructions involving your personal safety and the safety of others. Failure to follow these instructions can result in injury or death.



*This symbol means:
ATTENTION!
BECOME ALERT!
YOUR SAFETY IS INVOLVED!*

Signal Words

Note the use of the signal words DANGER, WARNING and CAUTION with the safety messages. The appropriate signal words for each have been selected using the following guidelines:



DANGER: Indicates an imminently hazardous situation that, if not avoided, will result in death or serious injury.



WARNING: Indicates a potentially hazardous situation that, if not avoided, could result in death or serious injury, and includes hazards that are exposed when guards are removed. It may also be used to alert against unsafe practices.



CAUTION: Indicates a potentially hazardous situation that, if not avoided, may result in minor or moderate injury.

INDEX

1 - GENERAL INFORMATION	4
1.01 - General	4
1.02 - Model and Serial Number ID	5
2 - SAFETY PRECAUTIONS	6
2.01 - Preparation	6
2.02 - Starting and Stopping	7
2.03 - Messages and Signs	7
3 - OPERATION	10
3.01 - Operational Safety	10
3.02 - Setup and Lubrication	12
3.03 - Side-Shift	14
3.04 - Depth Control	15
3.05 - Rear Shield Adjustment	16
3.06 - Pre-Operational Check	17
3.07 - Attaching to the Tractor	17
3.08 - Start Up	19
3.09 - Test Run	21
3.10 - Working Depth	21
3.11 - Working Speed	21
3.12 - Finer Pulverization	21
3.13 - Headland Procedure	21
3.14 - Working Limitations	22
3.15 - Uneven Terrain	22
3.16 - Transport	22
4 - MAINTENANCE	24
4.01 - Maintenance Safety	24
4.02 - Service	25
4.03 - Blade Maintenance	25
4.04 - Driveline	26
4.05 - Safety Shear Bolt	28
4.06 - Safety Slip Clutch	29
5 - REPAIR PROCEDURES	32
5.01 - Gearbox	32
5.02 - Chain Case	32
5.03 - Rotor	33
5.04 - Suggested Spare Parts	33
5.05 - Storage	33
6 - TROUBLESHOOTING	34
7 - PRE-DELIVERY CHECKLIST	35
8 - WARRANTY	36
PARTS MANUAL	41

1 - GENERAL INFORMATION

Thank you and congratulations for having chosen our implement. Your new rotary tiller is a technologically advanced machine constructed of high quality, sturdy components that will fulfill your working expectations.

Read this manual carefully. It will instruct you on how to operate and service your machine safely and correctly. Failure to do so could result in personal injury and/or equipment damage.

1.01 - General

The implement described in this manual is to be used with tractors with PTO at 540 rpm and clockwise rotation.

If you have purchased a special version of this implement to be coupled with tractors that have a PTO with counter clockwise rotation and/or tractors with a different PTO speed (1000 or 2000 rpm), please replace the instructions in this manual with the actual speed and direction of rotation of your implement.



CAUTION: Always ensure that the coupling of the implement with the tractor is done at the same PTO speed and direction of rotation. Do not operate this implement at a PTO speed or direction of rotation other than that shown on the implement. Serious damage can occur to the machine and/or the operator.



CAUTION: Unless otherwise specified, all hardware is metric. Use only metric tools on metric hardware. Other tools that do not fit properly can slip and cause injury.



CAUTION: Right hand and left hand sides of the implement are determined by facing in the direction the implement will travel when going forward (see fig. 2).

Carefully read the Warranty section¹, detailing coverage and limitations of this warranty. **Warranty** is provided for customers who operate and maintain their equipment as described in this manual. Warranty registration is accomplished by the dealer by completing and forwarding the **Warranty Registration** form to the Company, along with a copy of the dealer's invoice. It is in your best interest to insure that this has been done.

¹ See Chapter 8 - Warranty.

Warranty does not cover the following:

1. Cleaning, transporting, mailing and service call charges.
2. Normal wear items such as blades, bearings, drivelines, shear pins, slip clutches, etc.
3. Depreciation or damage caused by normal wear, accidents, improper maintenance, improper protection or improper use.
4. The use of non-original spare parts and accessories.

Your Authorized Company Dealer has genuine parts in stock. Only these approved replacement parts should be used.

This limited warranty covers defective material and workmanship. The cost of normal maintenance or repairs for accidents or improper use and related labor will be borne by the owner.

1.02 - Model and Serial Number ID

Attached to the frame is an ID plate showing the model and the serial number. Record your implement model and serial number in the space provided below. Your local dealer needs this information to give you prompt, efficient service when you order parts.

Model #:	<input style="width: 100%;" type="text"/>
Serial #:	<input style="width: 100%;" type="text"/>

2 - SAFETY PRECAUTIONS

Safety is the primary concern in the design and manufacture of our products. Unfortunately our efforts to provide safe equipment can be wiped out by a single careless act of an operator.

In addition to the design and configuration of equipment, hazard control and accident prevention are dependent upon the awareness, concern, prudence and proper training of personnel involved in the operation, transport, maintenance and storage of equipment.

It is the operator's responsibility to read and understand all safety and operating instructions in the manual and to follow these.

Allow only properly trained personnel to operate the rotary tiller. Working with unfamiliar equipment can lead to careless injuries. Read this manual, and the manual for your tractor, before assembly or operation, to acquaint yourself with the machines. It is the tiller owner's responsibility, if this machine is used by any person other than yourself, is loaned or rented, to make certain that the operator, prior to operating, reads and understands the operator's manuals and is instructed in safe and proper use.

2.01 - Preparation



1. Before operating equipment read and understand the operator's manual and the safety signs (**see fig. 2**).
2. Thoroughly inspect the implement before initial operation to assure that all packaging materials, i.e., wires, bands, and tape have been removed.
3. Personal protection equipment including hard hat, safety glasses, safety shoes, and gloves are recommended during assembly, installation, operation, adjustment, maintaining and/or repairing the implement.
4. Operate the tiller only with a tractor equipped with an approved Roll-Over-Protective-System (ROPS). Always wear your seat belt. Serious injury or even death could result from falling off the tractor.
5. Clear area of stones, branches or other debris that might be thrown, causing injury or damage.
6. Operate only in daylight or good artificial light.
7. Ensure tiller is properly mounted, adjusted and in good operating condition.
8. Ensure that all safety shielding and safety signs are properly installed and in good condition.
9. Consult local utility companies to make certain there are no buried gas lines, electrical cables, etc., in the work area before beginning operation.

2.02 - Starting and Stopping



1. Be sure that no one is near the machine prior to engaging or while the machine is working.
2. Be sure the tractor is in "Neutral" before starting engine.
3. Tiller operating power is supplied from tractor PTO. Refer to your tractor manual for PTO engagement and disengagement instructions. Always operate PTO at 540 rpm. Know how to stop the tractor and tiller quickly in case of an emergency.
4. When engaging PTO, the engine rpm should always be low. Once engaged and ready to start using, raise PTO speed to 540 rpm and maintain throughout operation.
5. Check the tractor master shield over the PTO stub shaft. Make sure it is in good condition and fastened securely to the tractor. Purchase a new shield if old shield is damaged or missing.
6. After striking an obstacle, disengage the PTO, shut the tractor down and thoroughly inspect for damage before restarting.
7. Never engage the PTO until the tiller is in the down position and resting on the ground. Never raise the tiller until the rotor has come to a complete stop.

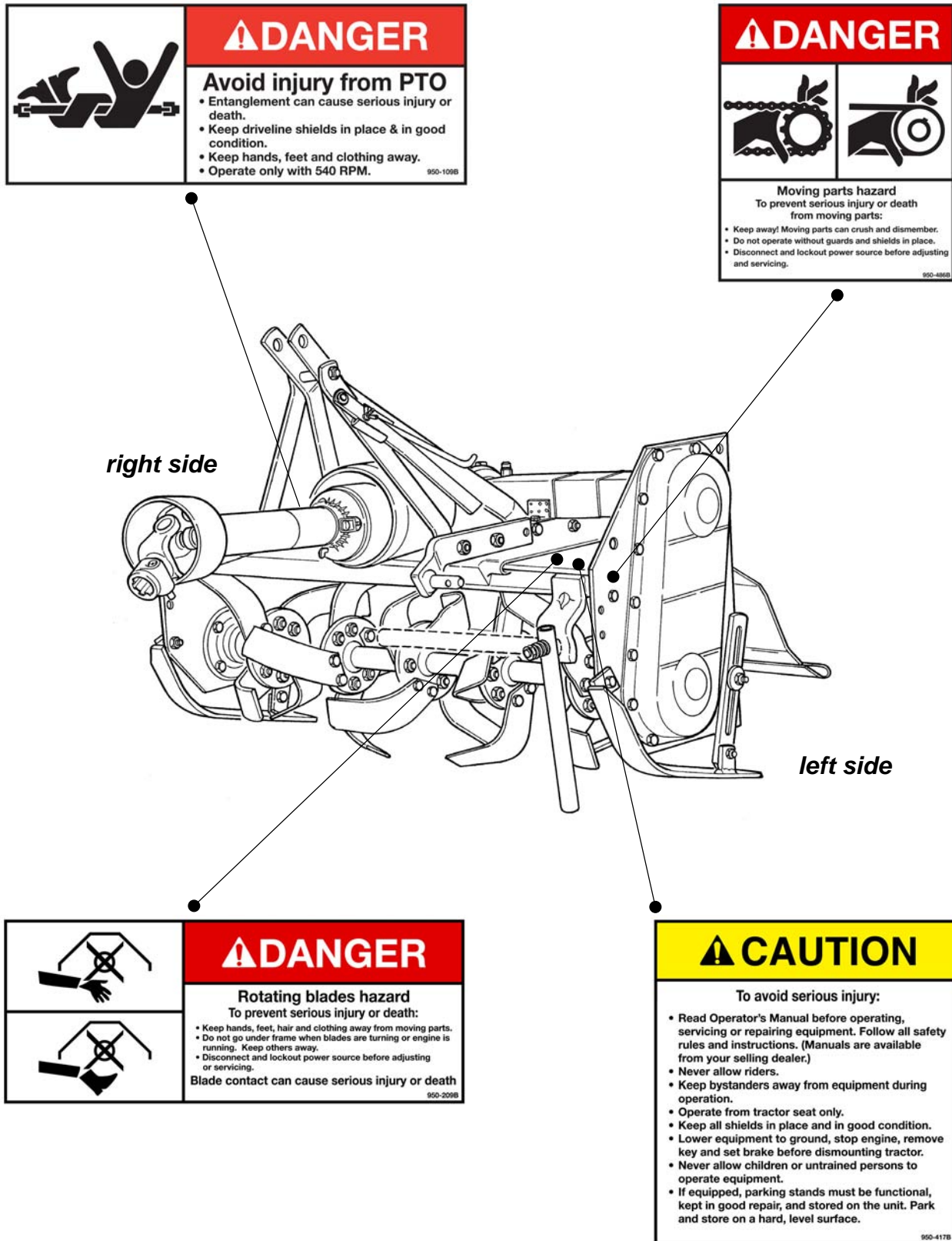
2.03 - Messages and Signs



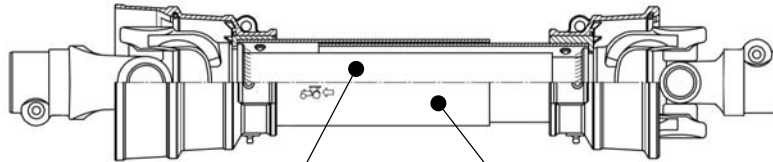
1. Read and adhere to all safety and operating decals on this machine (**see fig. 2**).
2. Before dismounting tractor: Allow moving parts to stop, stop engine, set brake and remove the key of unattended equipment.
3. Keep away from rotating blades and driveline.
4. Keep guards and shields in place and in good condition.
5. Do not use with bystanders in area.
6. Allow no riders on tractor or tiller.
7. Allow moving parts to stop before repair.
8. Securely support tiller before working underneath.

Additional warning and operating decals are available at no extra charge. Please specify model and serial number when ordering.

Fig. 2 - Safety decals - implement; replace immediately if damaged.



Safety decals - driveline; replace immediately if damaged.



placed on outer tube



placed on outer shield

3 - OPERATION

You have purchased a rotary tiller designed for landscaping, gardening, and tilling with small sized tractors (16-30 HP) around fruit trees and in vineyards or greenhouses. It is an ideal machine for hobby farmers and landscapers. Because of its side-shift capability, your tiller can be positioned to till next to trees and shrubs and along sidewalks. It can also be shifted completely to the right in order to cover the right tractor tire tracks. This is particularly important when dealing with tractors equipped with especially wide tires. The working width is 34", 42" or 50" depending on the model you chose.

The three point hitch can also remain positioned in the center to work like a normal center mount tiller. On your tiller, the tractor PTO transmits its power through a driveline to a speed reduction gearbox. This gearbox turns a hexagonal drive shift to which a chain sprocket is attached. A chain transfers power from the drive chain sprocket to a driven chain sprocket connected to a tilling bladed rotor. The rotor speed is set at the optimum speed to ensure ideal tillage conditions.

3.01 - Operational Safety



CAUTION: Our rotary tillers are designed considering safety as the most important target and are the safest available in today's market. Unfortunately, human carelessness can override the safety features built into our machines. Injury prevention and work safety, aside from the features on our tillers, are very much due to the responsible use of the equipment. It must always be operated prudently following with great care, the safety instructions laid out in this manual.



1. The use of this equipment is subject to certain hazards which cannot be prevented by mechanical means or product design. All operators of this equipment must read and understand this entire manual, paying particular attention to safety and operating instructions, prior to using.
2. Do not operate the tractor and tiller when you are tired, sick or when using medication.
3. Before beginning operation, contact local utility companies to make certain there are no bundled gas lines, electrical cables, etc., in the work area.
4. Keep all helpers and bystanders at least 50 yards from a tiller. Only properly trained people should operate this machine.
5. When this machine is operated in populated areas where thrown objects could injure persons or property, standard equipment safety shielding (which is designed to reduce the possibility of thrown objects) must be installed.

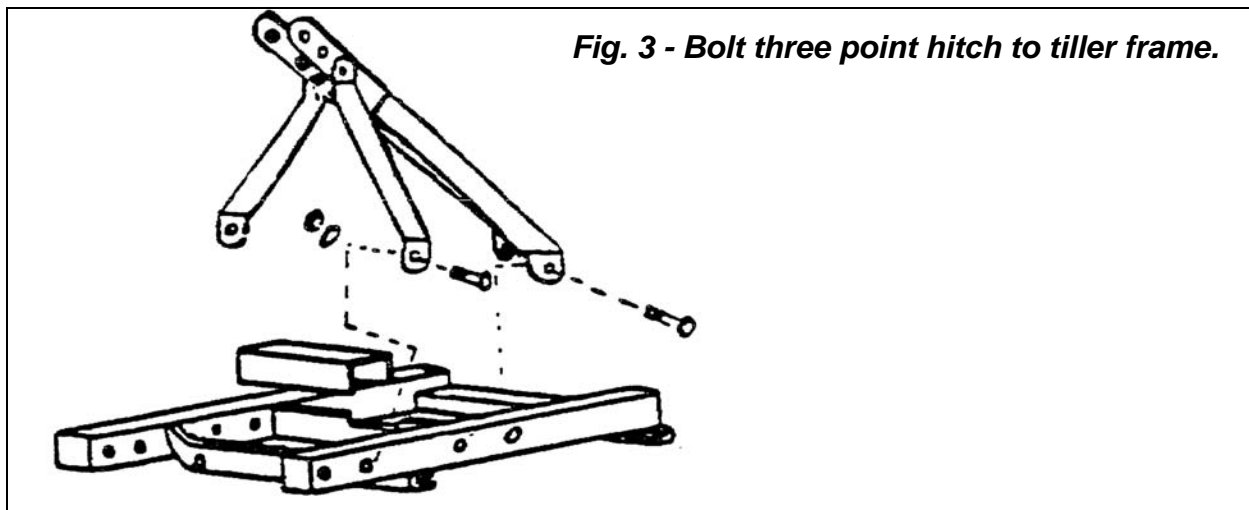
6. The majority of accidents involve entanglements on the driveline, injury of bystanders by objects thrown by the rotating blades, and operators being knocked off the tractor by low hanging limbs and then being run over by the tiller. Accidents are most likely to occur with machines that are loaned or rented to someone who has not read the operator's manual and is not familiar with a tiller.
7. Always stop the tractor, set brake, shut off the tractor engine, remove the ignition key, lower implement to the ground and allow rotor to come to a complete stop before dismounting tractor. Never leave equipment unattended with the tractor running.
8. Never place hands or feet under tiller's deck with tractor engine running or before you are sure all motion has stopped. Stay clear of all moving parts.
9. Do not allow riders on the tiller or tractor at any time. There is no safe place for riders.
10. Do not operate unless all personnel, livestock and pets are 50 yards away to prevent injury by thrown objects.
11. Before backing up, disengage the tiller and look behind carefully.
12. Install and secure all guards and shields before starting or operating.
13. Keep hands, feet, hair and clothing away from moving parts.
14. This tiller is designed for use only on tractors with 540 rpm power take off and in the correct power range².
15. Never operate tractor and tiller under trees with low hanging limbs. Operators can be knocked off the tractor and then run over by the rotor.
16. The rotating parts of this machine have been designed and tested for rugged use. However, they could fail upon impact with heavy, solid objects such as steel guard rails and concrete abutments. Such impact could cause the broken objects to be thrown outward at very high velocities. To reduce the possibility of property damage, serious injury, or even death, never allow the rotor to contact such obstacles.
17. Frequently check blades. They should be sharp, free of nicks and cracks and securely fastened.
18. Stop tiller immediately upon striking an obstruction. Turn engine off, remove key, inspect and repair any damage before resuming operation.
19. Stay alert for holes, rocks and roots in the terrain and other hidden hazards. Keep away from drop-offs.
20. Use extreme care and maintain minimum ground speed when transporting on hillside, over rough ground and when operating close to ditches or fences. Be careful when turning sharp corners.
21. Reduce speed on slopes and sharp turns to minimize tipping or loss of control. Be careful when changing directions on slopes. Do not start or stop suddenly on slopes. Avoid operation on steep slopes.
22. When using a unit, a minimum 20% of tractor and equipment weight must be on tractor front wheels. Without this weight, tractor could tip over, causing personal injury or death. The weight may be attained with a front end loader, front wheel weights, ballast in tires or front tractor weights. When attaining a minimum 20% of tractor and equipment weight on the front wheels, you must not exceed the ROPS weight certification. Weigh the tractor and equipment. Do not guess or estimate!

² See Table 3, page 30.

23. Inspect the entire machine periodically³. Look for loose fasteners, worn or broken parts, and leaky or loose fittings.
24. Use only the driveline supplied with the equipment. Do not use it if it is missing any shield or safety protection.
25. Pass diagonally through sharp dips and avoid sharp drops to prevent "hanging up" tractor and implement.
26. Avoid sudden starts and stops while traveling up or downhill.
27. Always use down slopes; never across the face. Avoid operation on steep slopes. Slow down on sharp turns and slopes to prevent tipping and/or loss of control.

3.02 - Setup and Lubrication

Notice to the dealer: Pre-delivery setup and service including lubrication is the responsibility of the dealer. It is up to him to assure that the machine is in perfect condition and ready to be used. It is his responsibility to ensure that the customer is aware of all safety aspects and operational procedures for the tiller. He must also fill out the Pre-Delivery Checklist⁴ prior to delivering the tiller.



CAUTION: Stand clear of bands when cutting as they could be under sufficient tension to cause them to fly loose. Take care in removing bands and wire, they often have extremely sharp edges and cut very easily.

To assemble and setup the tiller for initial operation proceed as follows:

1. Disassemble top and sides of the crate. Cut wires holding driveline. Leave machine banded to pallet as long as possible to avoid tipping over during assembly.
2. Loosen bolts holding upper hitch in place in the shipping position.

³ See Chapter 4 - Maintenance.

⁴ See Chapter 7 - Pre-Delivery Checklist.

3. Bolt the hitch together (see fig. 3), and bolt it to the tiller⁵.
4. Be sure that the stand is held firmly in place, it should be able to swing down with the spring holding it in position to support the tiller without tipping over (see fig. 4).

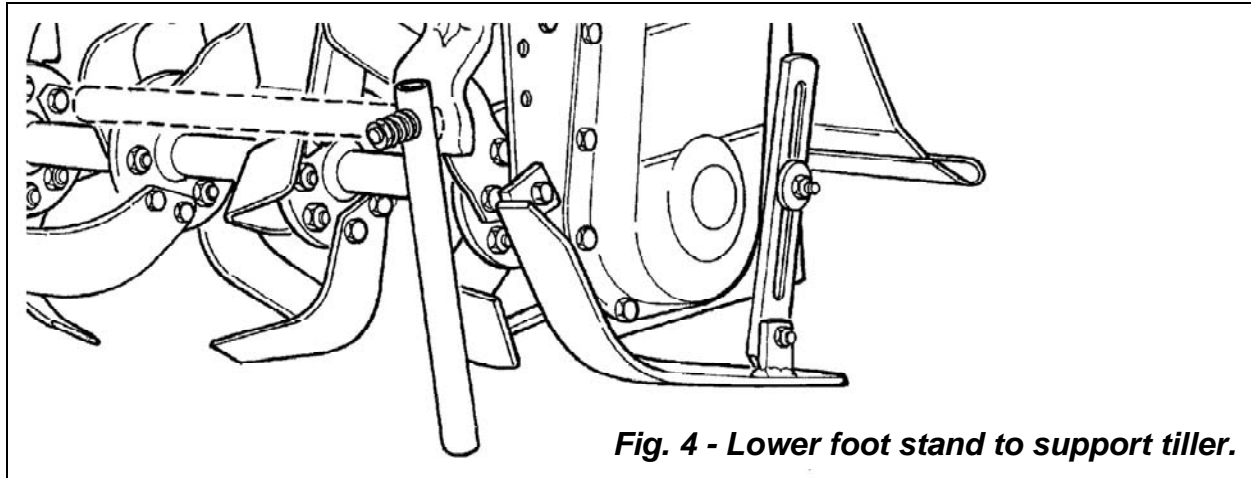


Fig. 4 - Lower foot stand to support tiller.

5. Bolt the shifter arm (see #3, fig. 5) to the top hitch support (see #1, fig. 5) with the bolt and wing nut (see #2, fig. 5) provided.

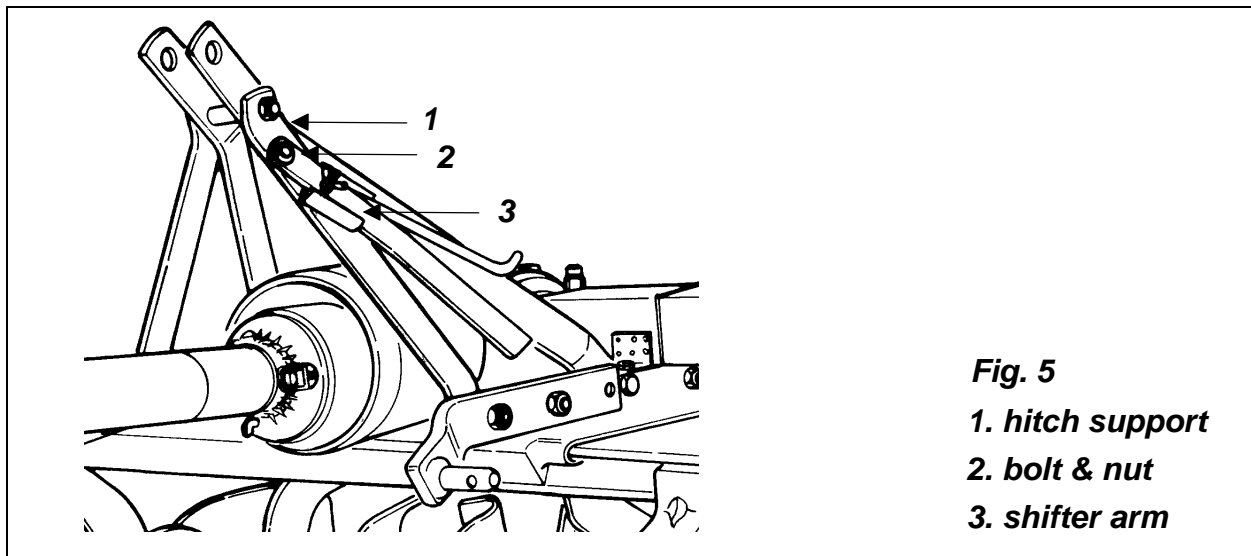


Fig. 5
1. hitch support
2. bolt & nut
3. shifter arm

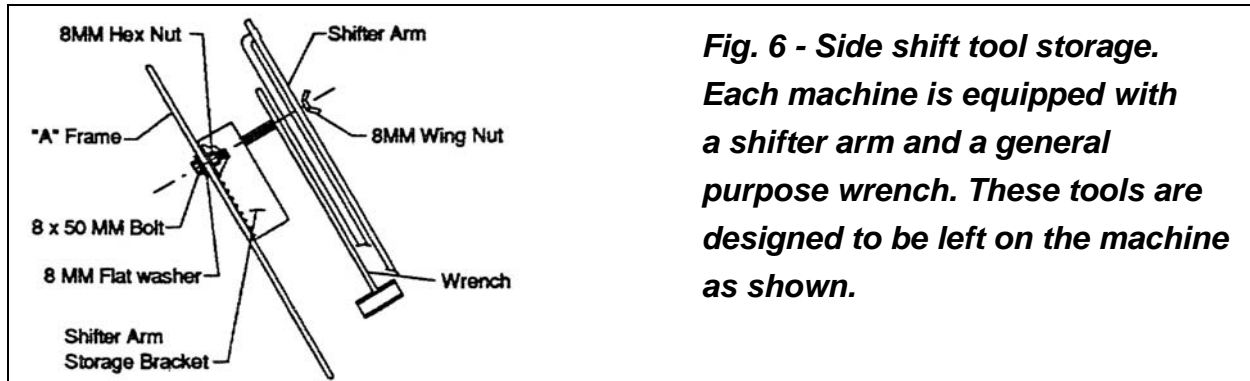
6. Be sure that the breather plug is screwed into the chain case. Check the gearbox oil level. It should be between $\frac{1}{2}$ and $\frac{2}{3}$ full. Use SAE 90 wt. gear oil.
7. Check all hardware for proper torque⁶.
8. Grease driveline cross and bearing assemblies. Grease sliding sections of shaft.
9. The hexagonal drive shaft is protected by a telescopic sliding shield. Ensure that the telescopic shielding when open does not touch the hexagonal shaft and is as parallel as possible; slide the frame back two or three times from completely open to

⁵ See Section 3.03 - Side-Shift.

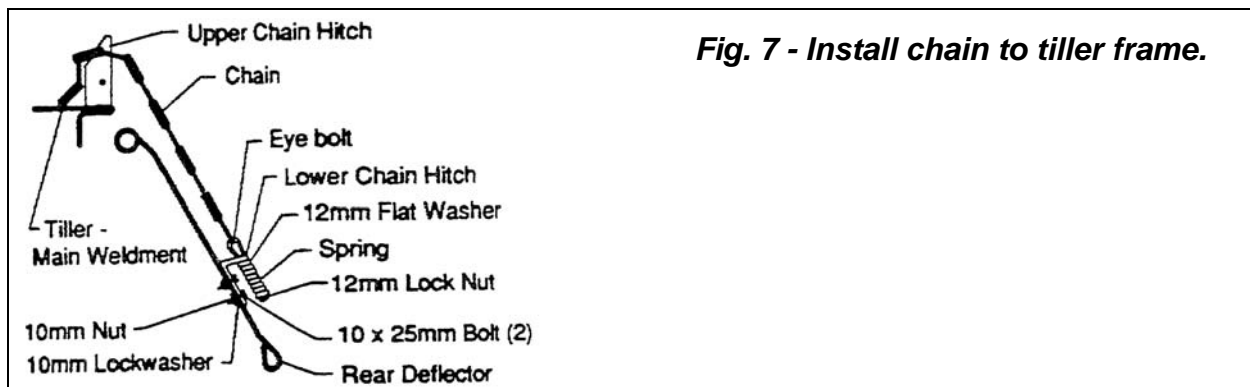
⁶ See Table 2, page 30.

completely closed to be sure it opens and closes without difficulty. Note: Lightly greasing the hexagonal drive shaft helps to side-shift the tiller.

10. After shifting the frame into its desired position, block it into position with the locking bolts. Replace shifter arm and tighten wing nut (see fig. 6).



11. Grease right rotor support bearing.
12. Install chain on rear deflector. Bolt the lower chain hitch to the rear deflector using the two bolts, nuts & lock washers provided (see fig. 7). Attach eyebolt and chain to lower chain hitch using the spring and lock nut.



3.03 - Side-Shift

To side-shift the tiller from the center mount position, do the following:

1. Loosen the two locking nuts (see #1, fig. 8) and loosen the two bolts (see #2, fig. 8) of the 3 point hitch sliding frame. Do not remove the bolts.
2. Slip the shifting lever over the bolt (see #2, fig. 9).
3. Insert the hooked rod end of the handle in one of the holes (see #3, fig. 9) on the rear of the hexagonal drive-shaft protection (see #4, fig. 9).
4. Push or pull the handle and keep placing the hook rod in the next hole until the machine is shifted to the desired position.
5. Replace the pivoting shift handle to its mounting place (see #1, fig. 9).
6. Re-tighten bolts and locking nuts of the 3 point hitch sliding frame (see #1 & 2, fig. 8).

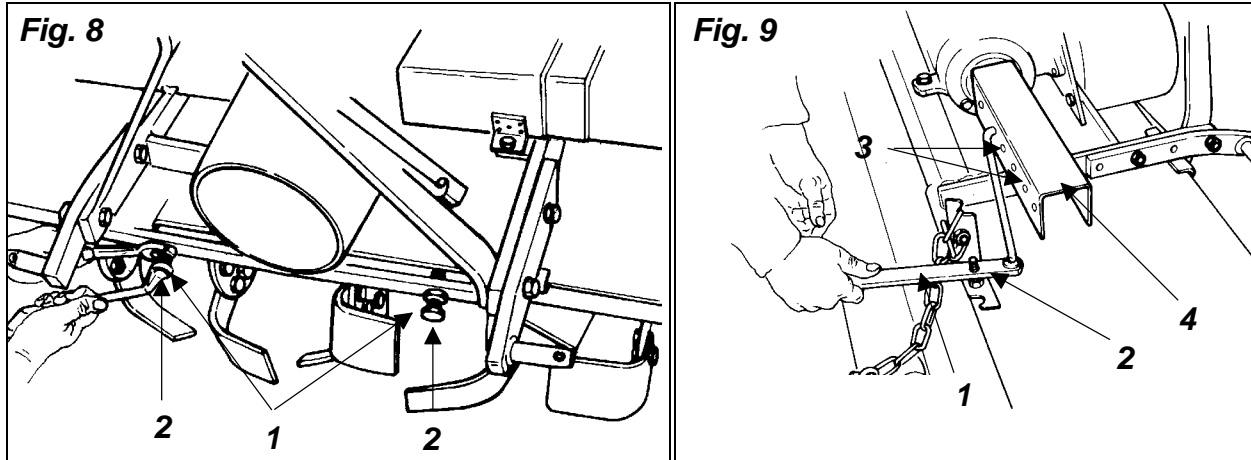
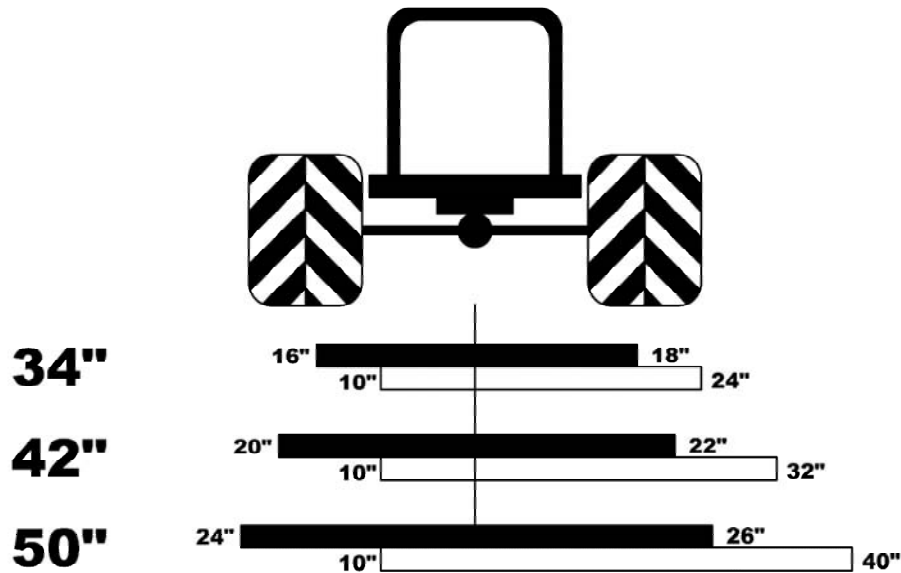


TABLE 1

The drawing below represents the tiller's right side-shift capabilities.

The upper black line of the drawing shows the three point hitch of the tiller working in its center position. The lower white line shows the three point hitch of the tiller shifted completely to the right.



3.04 - Depth Control

The tilling depth is controlled by raising or lowering the side skids. The tilling depth is at its maximum when the skids are touching the side plates. Lowering the skids, raises the tiller from the ground and lowers its working depth.

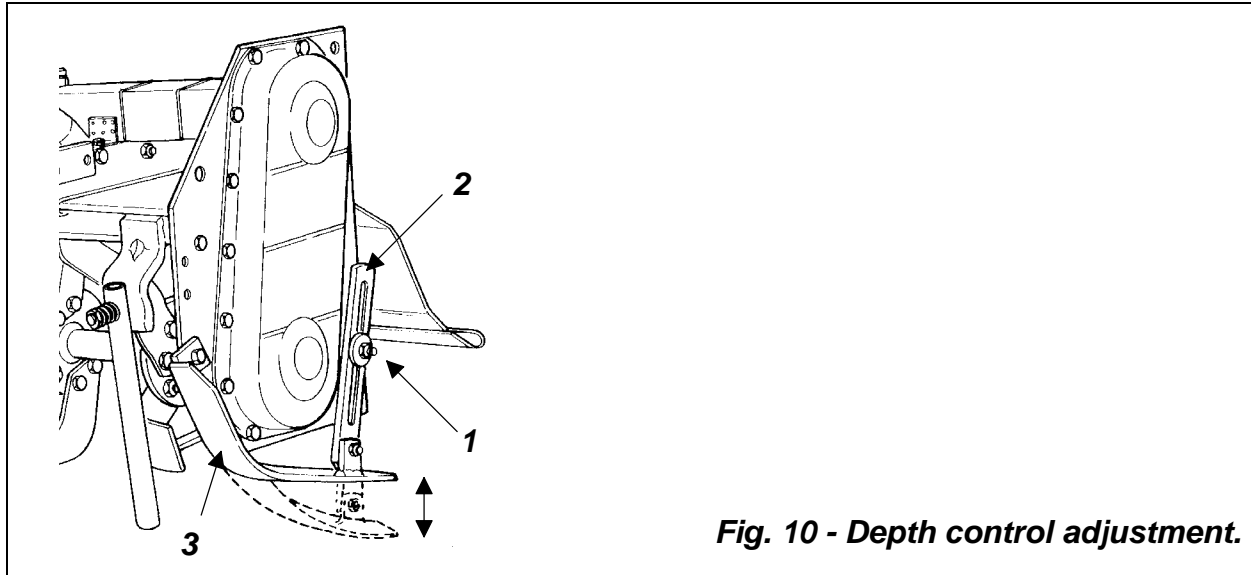


Fig. 10 - Depth control adjustment.

To raise or lower the side skids proceed as follows:

1. Loosen the nut (see #1, fig. 10) on the adjustment arm.
2. Place the skid (see #3, fig. 10) in the desired position.
3. Re-tighten the nut (#1) on the adjustment arm (#2).
4. Repeat this operation on the other skid ensuring both skids are level.

3.05 - Rear Shield Adjustment

The rear shield, for safety reasons, must always remain in contact with the ground. This also ensures better pulverization of the soil and helps level it out.

Raise rear shield (see #1, fig. 11) to the desired position. Hook the chain (see #2, fig. 11) to the chain hitch (see #3, fig. 11).

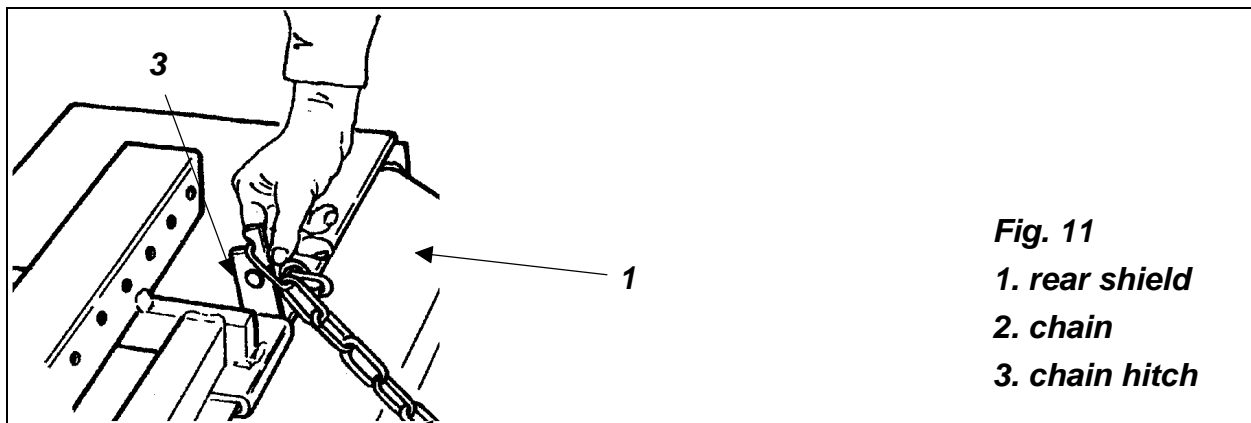


Fig. 11
1. rear shield
2. chain
3. chain hitch

3.06 - Pre-Operational Check

Check each of the following carefully prior to engaging the equipment:

1. The rotor bearing has been greased and the drive chain is lubricated.
2. The oil in gearbox is between $\frac{1}{2}$ and $\frac{2}{3}$ full.
3. The driveline cross and bearings have been greased.
4. No wrappings or foreign objects are on the machine or driveline.
5. The blades are properly installed and the blade bolts and nuts properly torqued⁷.
6. All hardware is tight.
7. The tractor to ensure correct direction of rotation of PTO and rpm speed.
8. All safety shields and guards are in place and tightly attached.
9. No people or animals are in the work area.
10. Local utility companies have been contacted to make certain there are no bundled gas lines, electrical cables, etc., in the work area.
11. When working, make sure the tractor hitch is in the "float" position, in order to allow the tiller to rest on the skids and therefore to follow the contour of the ground.



CAUTION: Engage the tractor PTO only when the tiller blades are 1.5" to 2" from the ground.



WARNING: Stay clear of rotating driveline. Entanglement in rotating driveline can cause serious injury or death. Disengage PTO, engage parking brake or place transmission in "Park", shut off the tractor and remove the key before working around hitch, attaching or detaching driveline, making adjustments, servicing or cleaning the machine.

3.07 - Attaching to the Tractor

Unit may be used on tractors ranging from 16 to 30 HP, equipped with a standard rear PTO and category 1 three point hitch⁸.



CAUTION: Check the tractor PTO rpm to ensure it is set at 540 and turns clockwise. Always ensure that the tractor tire pressure is correct according to the tractor operator's manual.

⁷ See Table 2, page 30.

⁸ See Table 3, page 30.



WARNING: Disengage PTO, wait for all movement from the implement and tractor to stop, engage parking brake or place transmission in "Park", shut off the tractor and remove the key before attaching the implement to the tractor.

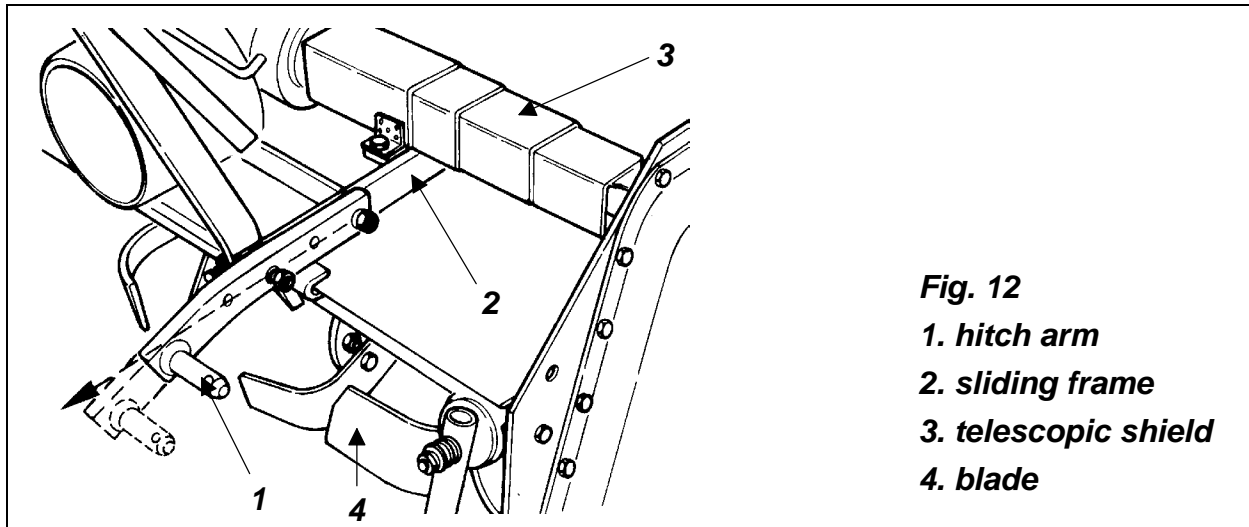


Fig. 12
1. hitch arm
2. sliding frame
3. telescopic shield
4. blade

To attach the tiller to the tractor do the following:

1. Back the tractor up to the machine in order to slip the tractor hitch arms over the hitch pins welded to the tiller hitch arms. **Turn off the tractor engine.**
2. The tiller hitch arms are adjustable in and out and may be positioned turned up or down, depending on driveline length and tractor size (**see fig. 12**).
3. Lock the tractor arms to the tiller hitch arms with the lynch pins. Stabilizers must be used to limit side swing to 2" to 3".
4. Attach the top link. Adjust it so the tiller is as near parallel to the ground as possible. A 1 to 2 degree rearward tilt is acceptable (**see fig. 13**).
5. Install the shielded driveline to the tractor by first lining up the splines and depressing the snap pin. Push the yoke onto the PTO shaft as far as it will go. Release the pin and pull back slowly until the pin clicks in place.
6. Repeat this operation on the implement end if the tiller is **supplied with a shear pin**.
7. **If the implement is supplied with a slip clutch**, first remove the sheet metal protection on the gearbox, remove the locking bolt on the slip clutch yoke and push the yoke on to the gearbox shaft. Line the locking bolt hole up with the groove on the shaft. Reinstall the locking bolt and tighten down lock nut. Reinstall PTO protective cover.
8. Attach the driveline chains to the tractor and to the machine to keep the driveline protection from turning. The chains should not be too tight. **Reinstall sheet metal protection.**

IMPORTANT: See Section 4.04 - Driveline, to ensure the driveline is the proper length.

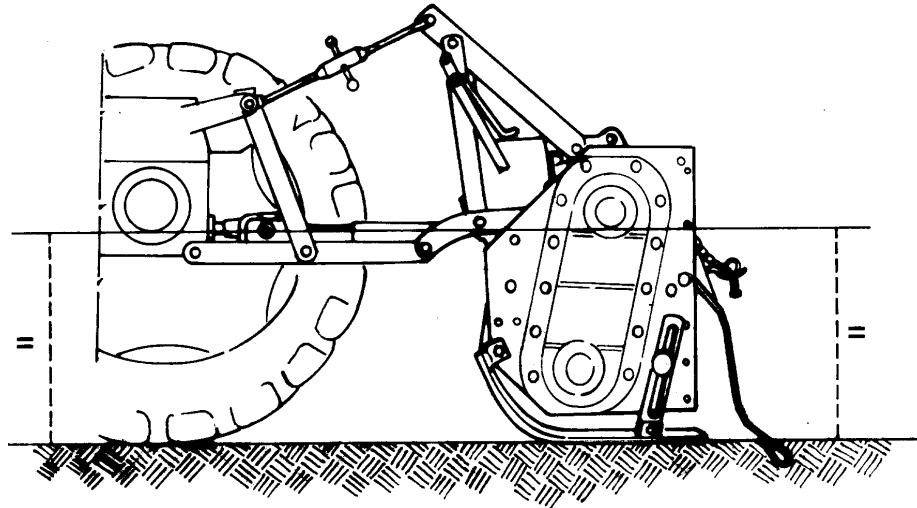


Fig. 13 - Correct work position of the tiller. A 1 to 2 degree rearward tilt is acceptable.



DANGER: Tractor-implement combinations can create unstable unions with a chance of roll-over. If necessary, front weights need to be added to the tractor in order to maintain balance. Always ensure that the tractor tire pressure is correct according to the tractor operator's manual.

3.08 - Start Up



DANGER: Never allow anyone around the tiller when it is in operation. Engage the tractor PTO only when the tiller blades are 1.5" to 2" from the ground.



DANGER: Operate the implement only at the speed and direction of rotation indicated on the machine. Serious damage can result if this is not followed.



CAUTION: Before starting work, clear the area of any obstacles or foreign objects.

Begin tilling at the lowest ground speed possible, increasing until the desired speed is reached. Engage the PTO with the tiller just clear of the ground. Open the throttle to $\frac{3}{4}$

of its full power speed and lower the tiller into the ground. Open up the throttle to full power. **Avoid working in reverse.**

Before beginning work always remember that the operator is responsible for:

1. Safe and correct operation of the tractor and tiller.
2. Learning and following precise, safe operating procedures for both the tractor and the tiller.
3. Ensuring all maintenance and lubrication has been performed on the tiller.
4. Having read and understood all safety aspects for the tiller in the operator's manual.
5. Having read and understood all safety decals on the tiller.
6. Checking the condition of the blades. Worn or damaged blades should be changed before starting.
7. Checking to ensure that the cutting edge is the leading edge of the blade.
8. Checking that there are no wires, weeds, grass or other objects wrapped around the rotor.
9. Checking to see if front weights need to be added to the tractor in order to maintain balance.
10. Checking the tractor tires for the proper pressure in accordance to the tractor operator's manual.
11. Checking that all shields are on the machine and securely in place.
12. Making sure proper attire is worn. Avoiding loose fitting clothing which can become entangled. Wearing sturdy, tough-soled work shoes and protective equipment for eyes, hands, ears and head. Never operate tractor or implements in bare feet, sandals or sneakers.
13. Checking area for stones, branches and other debris that might be thrown.
14. Ensuring proper lighting is available, sunlight or good artificial lighting.



DANGER: Never use the machine without first assuring all protective devices are properly installed.



CAUTION: For emergency reasons, learn how to stop the tractor and implement quickly. Always disengage the PTO, lock parking brake, stop engine and allow the blades to come to a complete stop before dismounting the tractor.



WARNING: Do not allow the tractor rpm to go below full throttle when working. This can cause damage to your tractor.

3.09 - Test Run

After running the tiller 120 to 150 feet, raise the machine and just as the blades lift up from the soil, disengage the PTO, lower the tiller and shut off the tractor engine. Assure that the machine is properly adjusted and functioning properly. After the first five minutes of operation, stop and feel the gearbox. It should be warm to the touch, but not hot.

3.10 - Working Depth

Tilling depth is determined largely by the condition of the ground. When working on hard or on previously unworked ground, set maximum depth at 2" to 3". Greater depth may require a second pass.

NOTE: Excessive vibration or jumping of the machine is an indication that the machine is working too deep for conditions, such as in hard, parched or compacted soil and should be adjusted accordingly.

3.11 - Working Speed

Ground speed is determined by the soil condition, tilling depth and tractor power. Simple experimentation will soon determine the best speed for the desired results, usually 1 to 2 mph.

3.12 - Finer Pulverization

A slow ground speed will result in a finer soil, as a faster ground speed will render the opposite. The rear shield, besides being a safety device, will help in producing a finer worked soil. Test results show that a raised shield will leave a coarser finished surface.

3.13 - Headland Procedure

When the headland is reached, it is important that the following be observed:

1. Raise the machine from the ground and as soon as the blades leave the ground, disengage the tractor PTO.
2. Turn the tractor facing the new desired direction of travel.
3. Begin working again⁹.

NOTE: Best practice dictates that the machine be lifted no more than just enough to clear the ground. Running the machine at an angle above 15° could damage the PTO.

⁹ See Section 3.06 - Pre-Operational Check.

3.14 - Working Limitations

If the tiller does not penetrate the ground easily, conditions may be too dry, tough or compacted. This condition is evidenced by vibration and jumping of the machine. Also check that the blades are properly installed with the proper scroll (**see fig. 15**).

The combination of excessively hard ground and rocky conditions will greatly reduce the life of the blades. Under these extreme conditions it may be wise not to use the tiller as the primary tillage tool and therefore it is advised to run over the ground with a disc or plow prior to tilling.

3.15 - Uneven Terrain



DANGER: Be careful when operating tractor and machine over uneven ground to avoid roll-over.

The following precautions should always be observed when working on uneven terrain:

1. In extremely uneven terrain rear wheel weights, front tractor weights, and/or tire ballast should be used to improve stability.
2. Observe the type of terrain and develop a safe working pattern.
3. Whenever traction or stability is doubtful, first test drive over the terrain with the PTO disengaged.
4. Operate the implement up and down steep slopes, not across slopes, to prevent the tractor from tipping. Avoid sudden stops and starts, slow down before changing directions on a slope.
5. Pass diagonally through sharp dips and avoid sharp drops to prevent hanging up the tractor and implement.
6. Slow down on sharp turns and slopes to prevent tipping or loss of control.
7. Watch for holes, roots or other hidden objects. Do not use near the edge of a gully, ditch or stream bank.

3.16 - Transport



CAUTION: All transport operations are to be done without the tiller working, and respecting all local traffic rules and regulations.

During transport or when the machine is lifted from the ground, it is advisable to adjust the tractor lift arms in order to be able to raise the machine 14" to 16" from the ground (**see fig. 14**).

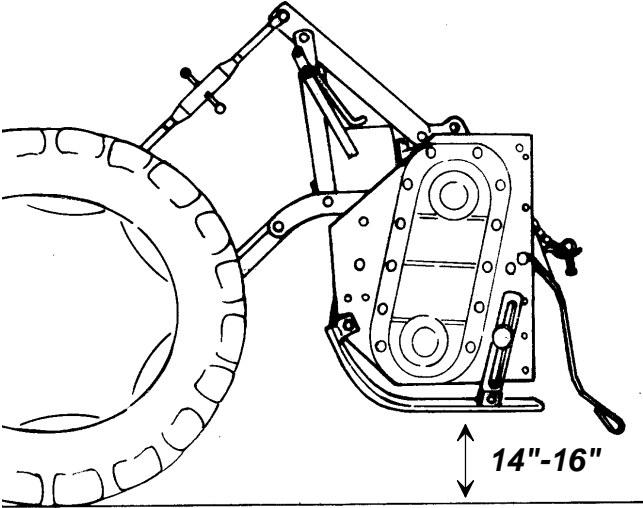


Fig. 14
Raise the machine 14" to 16"
from the ground during transport.

4 - MAINTENANCE



DANGER: Stop engine, lock parking brake and remove key before performing any service or maintenance.

Never rely on the tractor lift system. Install blocks or stands under the machine to prevent it from falling. Always use personal protection devices, such as glasses or gloves when performing maintenance.

Keep fingers out of slots to prevent injury.

4.01 - Maintenance Safety



1. Good maintenance is your responsibility.
2. Keep service area clean and dry. Be sure electrical outlets and tools are properly grounded. Use adequate light for the job at hand.
3. Make sure there is plenty of ventilation. Never operate the engine of the towing vehicle in a closed building. The exhaust fumes may cause asphyxiation.
4. Make no repair or adjustments with the tractor engine running. Before working on the machine, disengage the PTO, shut off the engine, set the brakes, and remove the ignition key.
5. Be certain all moving parts on attachment have come to a complete stop before attempting to perform maintenance.
6. Never work under equipment unless it is blocked securely.
7. Always use personal protection devices such as eye, hand and hearing protectors, when performing any service or maintenance.
8. Frequently check blades. They should be sharp, free of nicks and cracks and securely fastened.
9. Periodically tighten all bolts, nuts and screws and check that all cotter pins are properly installed to ensure unit is in a safe condition.
10. When completing a maintenance or service function, make sure all safety shields and devices are installed before placing unit in service.
11. After servicing, be sure all tools, parts and service equipment are removed.
12. Never replace hex bolts with less than grade five bolts unless otherwise specified, i.e. shear bolts¹⁰.
13. Where replacement parts are necessary for periodic maintenance and servicing, genuine replacement parts must be used to restore your equipment to original specifications. The Company will not claim responsibility for use of unapproved parts and/or accessories and any other damages as a result of their use.

¹⁰ Refer to Table 2 - Torque Specifications, for head identification marking, page 30.

14. Unauthorized modifications to the machine may impair the function and/or safety of the machine and reduce its life. If equipment has been altered in any way from original design, the manufacturer does not accept any liability for injury or warranty.

4.02 - Service

The accompanying illustrations show lubrication points. The chart gives the frequency of lubrication in hours, based on normal operating conditions. Severe or unusual conditions may require more frequent lubrication.

Use a good quality SAE multipurpose type grease for all locations shown. Be sure to clean fittings thoroughly before using grease gun.

Use 90 wt. or 140 wt. gear oil in gearbox.

1. **Hourly:** Remove any wrapping (stalks, weeds, trash, etc.) from tiller, especially from around bearing supports on the rotor ends.
2. **Every four hours:** Ensure bolts holding the side shift are tight.
3. **Daily:** Ensure blades are not broken and bolts are tight. Grease the rotor support, the driveline cross and bearings and telescopic tubes. Check the gearbox for oil level.
4. **Weekly:** Check the blades for excessive wear or damage. Ensure the rotor turns freely. Inspect the chain in the chain case and make sure it is well lubricated.
5. **After the first 200 hours:** Remove the chain case cover (being sure not to damage the gasket), clean the chain sprockets with kerosene, replace the sprockets and reassemble using fresh GP grease (approximately 2.2 lb.).

NOTE: For models (as the Series G 2000 rpm series, G34-530, G42-530 and G50-530) equipped for faster rotor rpm, GP 90 oil may be used to replace the grease in the chain case. The gearbox should use a non-detergent 30 wt. gear oil.

4.03 - Blade Maintenance



WARNING: Avoid possible injury, wear proper eye and hand protection when servicing tiller blades.

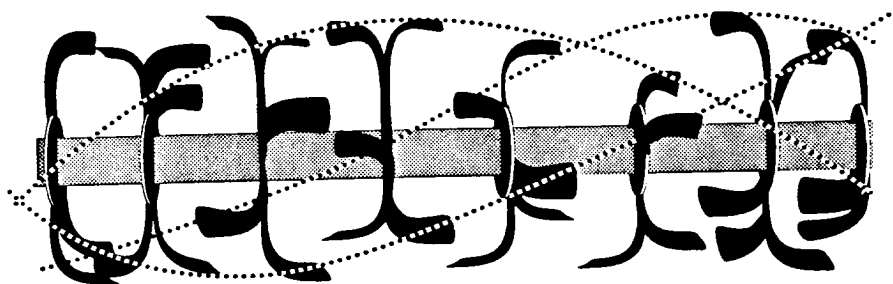


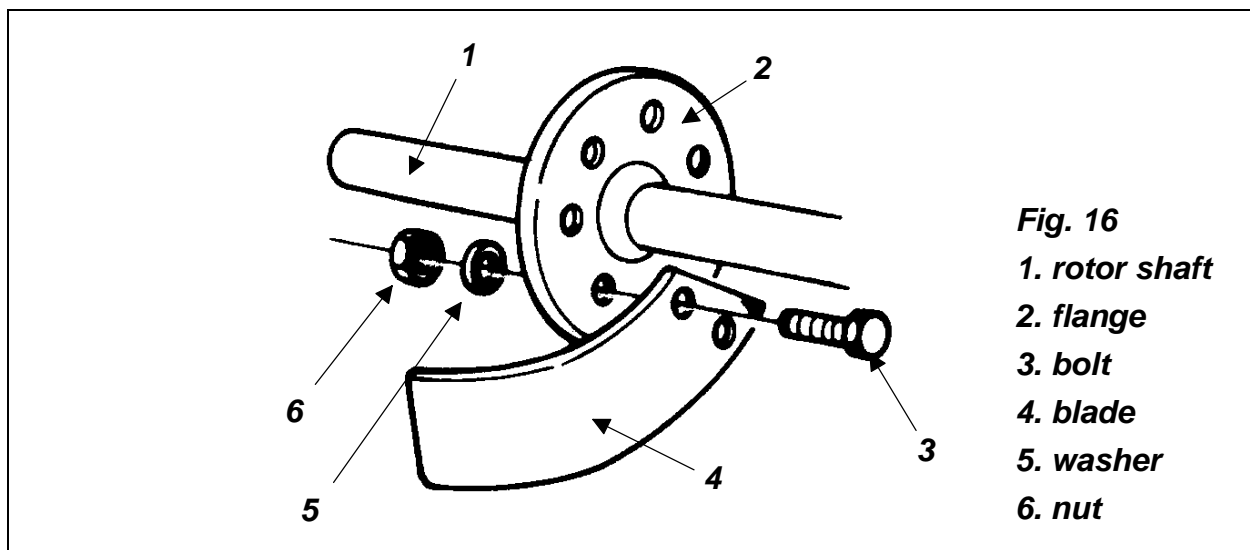
Fig. 15

It is important to change blades after **they have worn down 1" to 1¼"** from their original length. When replacing blades, it is best to replace them one at a time to maintain the original scroll pattern. If, however, it becomes necessary to remove them all, **it is essential to maintain the scroll pattern of the blades (see fig. 15)**. To do this, remove one blade and immediately replace it with a new one. Be sure the bolt head (**see #3, fig. 16**) is touching the blade (**#4**), while the washer (**#5**) and nut (**#6**) contact the flange. Sometimes a lock nut is used instead of a lock washer and nut. Proceed until all blades needed to be changed are changed.

After installing the new blades, tighten the nuts to their proper torque specifications.

To determine if a blade is right or left, do the following:

1. Hold the blade in the palm of the hand with the bend pointing upward and away from you.
2. If the cutting edge points towards the right then the blade is right-handed.
3. The cutting edge pointing to the left indicates a left-handed blade.



4.04 - Driveline



DANGER: Only use the original driveline supplied with this tiller and always with the safety shielding in place.

Carefully read and file away the driveline operator's manual supplied by the manufacturer. The following does not substitute the information found in the driveline manual.

IMPORTANT: Always check driveline length during initial setup and when connecting to a different tractor.

In the collapsed position the driveline should be approximately 2" from bottoming out to prevent possible damage to the tractor or implement. When the driveline is in the maximum possible extended position, the ideal minimum overlap of the two halves should be approximately 6" (see fig. 17).

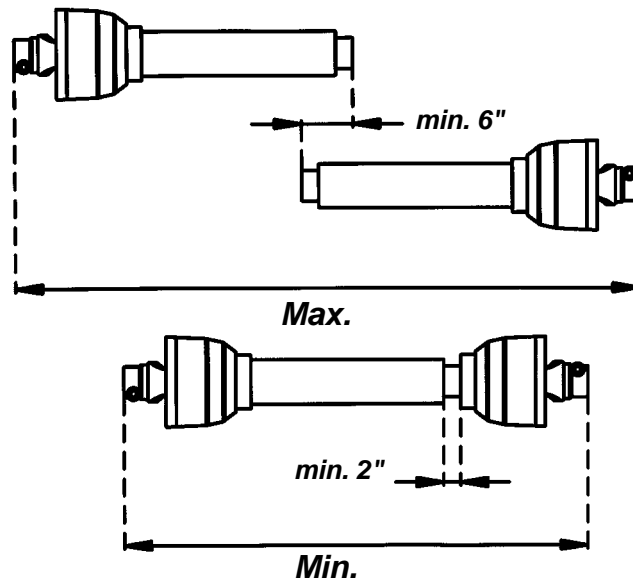


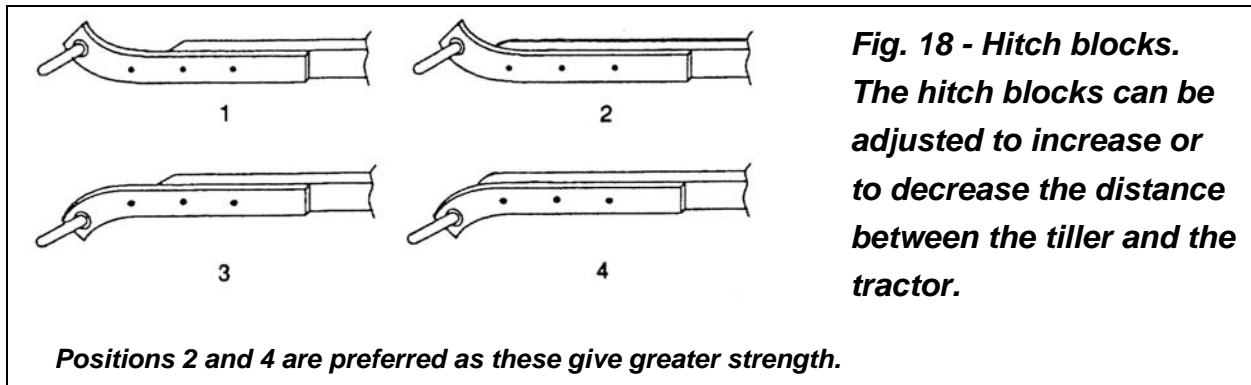
Fig. 17

If determined that the driveline is too long, follow these procedures to adjust the length:

1. Adjust the hitch blocks (see fig. 18) to increase the distance between the machine and the tractor. If it is still necessary to shorten the driveline proceed to step 2.
2. Separate the two driveline halves. Connect one half to the tractor PTO and the other half to the tiller.
3. Raise and lower the machine with the 3 point hitch to find the position where the driveline is shortest. Hold the half shafts side by side and mark the desired length on the outer female guard tube leaving a 2" gap between the end of the guard tube and bell guard.
4. Cut off both guard tubes the same amount as marked in step 3.
5. Shorten both drive tubes the same amount as guard tubes.
6. De-burr and clean filings from drive tubes and apply grease to outside of inner telescoping tube.
7. Reassemble the driveline halves and connect to tractor and tiller. Raise and lower tiller again to be sure driveline does not bottom out in shortest position and has a minimum overlap of 6" in the longest position.
8. Install both driveline safety chains. One should be hooked in a hole on the outer driveline yoke shield and to the tractor to restrict outer shield rotation. The second one should be hooked in a hole on the inner driveline yoke shield and to the implement to restrict inner shield rotation.

If determined that the driveline is too short for your tractor, you can adjust the hitch blocks (see fig. 18) to decrease the distance between the machine and the tractor. If

after this adjustment the driveline is still too short you should contact your local dealer to purchase a longer driveline.

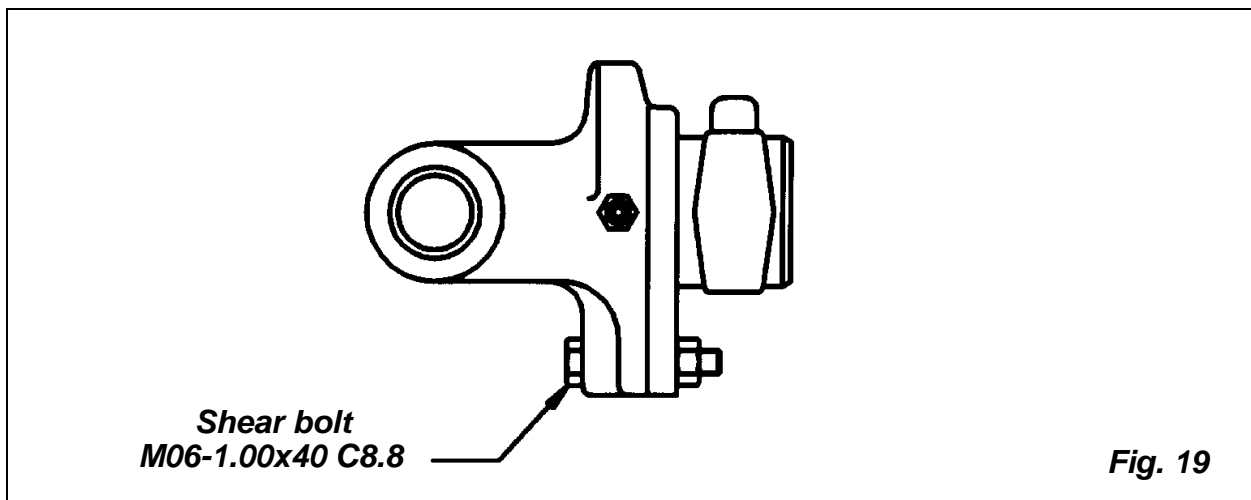


CAUTION: Always work with the driveline as straight as possible. This will prolong its life and that of its components. It is advised not to work at an angle greater than 15 degrees.

4.05 - Safety Shear Bolt



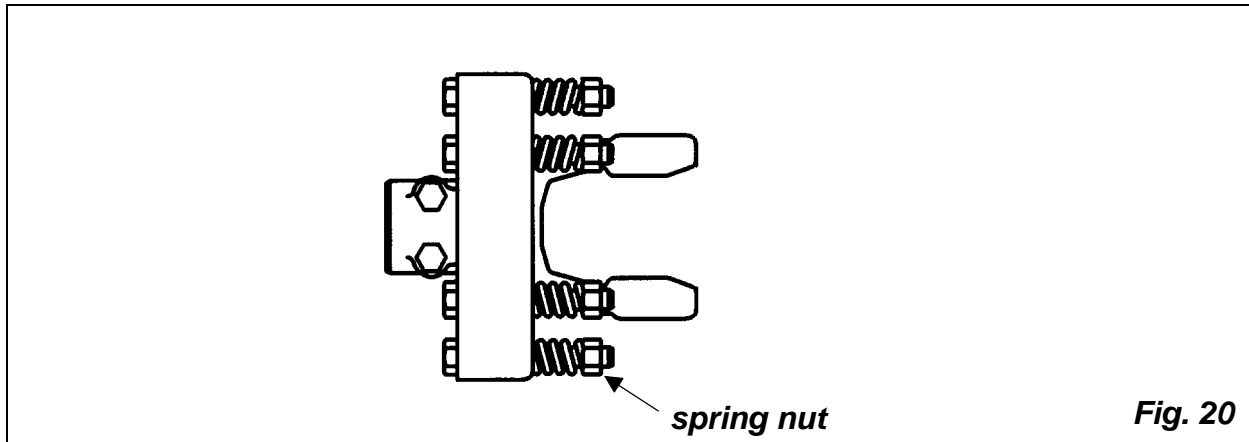
CAUTION: When this machine is equipped with a shear bolt driveline, for the protection of the PTO and gearbox, never replace the shear bolt with anything harder than a class 8.8 bolt. All warranties will be void if a bolt harder than a class 8.8 is used.



In the case of a shear bolt breaking (the operator will notice that the tiller will stop even though the tractor PTO is still engaged), disengage the PTO, stop and turn off the tractor. **Replace the broken shear bolt M06-1.00x40 C8.8 with another having the identical characteristic of the original (see fig. 19).**

Substituting different shear bolts other than those indicated by the manufacturer can render the safety inoperable.

4.06 - Safety Slip Clutch









When the tiller is supplied with a safety slip clutch, it is important to ensure it is working properly. The slip clutch delivered with your machine is set at a specific torque for normal working conditions.

If the clutch slips frequently while the unit is working, it may be necessary to tighten the spring nuts (**see fig. 20**) on the slip clutch. Tighten the spring nuts in ½ turn increments, then test run the unit for 600 to 800 ft. Repeat the operation if necessary. The discs on the clutch need to be replaced in the event that the clutch continues to slip even though the spring nuts have been tightened.

Follow the instructions in reverse, if while working under normal conditions the clutch does not slip at all.

TABLE 2 - TORQUE SPECIFICATIONS

Metric (ISO) treaded bolts head marking							Inch (SAE) treaded bolts head marking								
	Class 5.8		Class 8.8		Class 10.9			Grade 2		Grade 5		Grade 8			
Bolt size mm	Thread mm	N.m	ft-lb	N.m	ft-lb	N.m	ft-lb	Bolt size inch	Thread inch tpi	N.m	ft-lb	N.m	ft-lb	N.m	ft-lb
M5	0.8	4	3	6	4	9	7	1/4"	20	7	5	11	8	16	12
M6	1	6	4	10	7	15	11	1/4"	28	8	6	13	10	19	14
M8	1.25	16	12	25	18	36	27	5/16"	18	15	11	24	17	33	25
M8	1	17	13	26	19	38	28	5/16"	24	17	13	26	19	37	27
M10	1.5	31	23	48	35	71	52	3/8"	16	27	20	42	31	59	44
M10	1.25	33	24	51	38	75	55	3/8"	24	31	23	47	35	67	49
M10	1	35	26	53	39	78	58	7/16"	14	43	32	67	49	95	70
M12	1.75	54	40	84	62	123	91	7/16"	20	48	36	75	55	106	78
M12	1.5	56	41	87	64	128	94	1/2"	13	66	48	102	75	144	106
M12	1.25	59	44	90	66	133	98	1/2"	20	75	55	115	85	163	120
M14	2	84	62	133	98	195	144	9/16"	12	95	70	147	109	208	154
M14	1.5	94	69	142	105	209	154	9/16"	18	106	79	164	121	232	171
M16	2	131	97	206	152	302	223	5/8"	11	132	97	203	150	287	212
M16	1.5	141	104	218	161	320	236	5/8"	18	149	110	230	170	325	240
M18	2.5	181	133	295	218	421	310	3/4"	10	233	172	361	266	509	376
M18	2	196	145	311	229	443	327	3/4"	16	261	192	403	297	569	420
M18	1.5	203	150	327	241	465	343	7/8"	9	226	167	582	430	822	606
M20	2.5	256	189	415	306	592	437	7/8"	14	249	184	642	473	906	668
M20	1.5	288	212	454	335	646	476	1"	8	339	250	873	644	1232	909
M22	2.5	344	254	567	418	807	595	1"	12	371	273	955	704	1348	995
M22	1.5	381	281	613	452	873	644	1-1/8"	7	480	354	1077	794	1746	1288
M24	3	444	327	714	526	1017	750	1-1/8"	12	539	397	1208	891	1958	1445
M24	2	488	360	769	567	1095	808	1-1/4"	7	677	500	1519	1120	2463	1817
M27	3	656	484	1050	774	1496	1103	1-1/4"	12	750	553	1682	1241	2728	2012
M27	2	719	530	1119	825	1594	1176	1-3/8"	6	888	655	1992	1469	3230	2382
M30	3.5	906	668	1420	1047	2033	1499	1-3/8"	12	1011	746	2268	1673	3677	2712
M30	2	1000	738	1600	1180	2250	1659	1-1/2"	6	1179	869	2643	1949	4286	3161
M36	4	1534	1131	2482	1830	3535	2607	1-1/2"	12	1326	978	2974	2194	4823	3557

When using lock washers with nuts, increase torque values by 5%.

TABLE 3 - SERIES G ROTARY TILLER - TECHNICAL FEATURES

Series G for tractors up to 30 HP, PTO 540*, cat. 1** three point hitch - Chain: ASA 60											
Model	HP	Working width	Overall width	Weight lb	Side-shift	# of flanges	# of blades	Rotor rpm	Chain sprockets	Working depth	Driveline 1 3/8"
G34-231	16-30	34"	39"	265	24"	4	16	220	15-16	7.2"	ASAE cat. 2 shear bolt 540 rpm
G42-231	16-30	42"	47"	285	32"	5	20	220	15-16	7.2"	
G50-231	16-30	50"	55"	310	40"	6	24	220	15-16	7.2"	
G34-530	16-30	34"	39"	265	24"	4	16	237	9-22	7.2"	ASAE cat. 2 shear bolt 2000 rpm
G42-530	16-30	42"	47"	285	32"	5	20	237	9-22	7.2"	
G50-530	16-30	50"	55"	310	40"	6	24	237	9-22	7.2"	

* PTO at 2000 rpm on model GXX-530.
 ** Category 0 three point hitch on model GXX-530

TABLE 4 - SERIES G SPROCKET COMBINATION

Power to the rotor is by a #60 1 pitch chain with an average ultimate strength of 8,000 pounds. Sprocket combinations are as follows:			
Input rpm	Standard/Optional	Rotor rpm	Chain sprockets
540	Standard on GXX-231	220	15-16
540	Option for GXX-231	148	12-19
540	Option for GXX-231	96	9-22
2000	Standard on GXX-530	237	9-22

5 - REPAIR PROCEDURES



CAUTION: All repair procedures must be done by authorized dealerships. It is not recommended that untrained individuals perform any repair work. The following operations are detailed for qualified personnel only.

5.01 - Gearbox

To remove the gearbox from the side-shift frame proceed as follows:

1. Remove the two rear bolts holding the gearbox to the side-shift frame.
2. Slide the side-shift frame over until the gearbox is off the hexagonal shaft.
3. Unbolt the bolts holding the front plate to the side-shift frame.
4. Whenever the bearings are removed from the gearbox, all oil seals should be replaced to assure no leaks when the box is reassembled.
5. To avoid damage to components, bearings should always be removed with bearing pullers and pressed in when being replaced.
6. When reassembling the gearbox, ensure that there is precise mesh between ring and pinion gears.

5.02 - Chain Case

To remove the chain do the following:

1. Unbolt chain case cover.
2. Remove the chain case cover taking care not to damage the gasket.
3. Release the automatic chain tensioner spring.
4. Remove the two snap rings holding the chain sprockets.
5. Slip off both chain sprockets at the same time.

To replace the chain follow the procedure in reverse order, ensuring the gasket is not damaged. If damaged it must be changed.

To shorten the chain one link (1.25") do the following:

1. Remove two links.
2. Replace the two links with one offset connector (false link).
3. Reconnect with the other links.

To shorten the chain two links (2.5") do the following:

1. Remove two links.
2. Reconnect with the other links.

5.03 - Rotor

To remove the rotor and rotor supports do the following:

1. Remove the chain and chain sprockets¹¹.
2. Unbolt the bolts holding the left rotor support.
3. Unbolt the bolts holding the left side panel.
4. Unbolt the bolts holding the right side panel and slip the rotor out of the rotor supports.

5.04 - Suggested Spare Parts

It is suggested that the following spare parts be kept on hand all times to prevent a minor problem from delaying work:

Description	Quantity
Right hand blade	5
Left hand blade	5
Blade bolt	10
Blade nut	10
Shear bolt complete	10
Chain	1

5.05 - Storage

After seasonal use it is important to perform the following for prolonged storage:

1. Wash the tiller carefully.
2. Inspect the tiller and replace worn or damaged parts.
3. Tighten all hardware.
4. Grease all areas indicated under maintenance.
5. Cover the tiller from the elements in order to have it in perfect condition for the start of the next season.
6. Store driveline in dry area. A slip clutch can become inoperative if the discs stick together. Be sure to check the clutch before using the tiller after prolonged storage.

¹¹ See Section 5.02 - Chain Case.

6 - TROUBLESHOOTING



WARNING: Be sure tractor engine is off, parking brake is locked, and key is removed before making any adjustments.

PROBLEM	POSSIBLE CAUSE	SOLUTION
Machine makes intermitting clicking noise.	Loose blade bolts. Gearbox gears or chain damaged.	Tighten blade bolts. Replace damaged gears or chain.
PTO vibrates.	Worn cross and bearings. Driveline working at too great of an angle. Wrappings around rotor shaft.	Replace worn cross and bearings. Reduce the working angle of the driveline. Check for wrappings on rotor shaft.
Gearbox noise is noticeable and constant.	Oil level low. Worn Gears.	This can be normal on a new machine until it has been run in. Check oil level. Replace worn gears.
Blades stop turning but PTO, gearbox and hex shaft are turning.	Broken drive chain.	Remove chain case and check for broken connector link.
PTO turning but not blades.	Broken shear bolt.	Check shear bolt. If sheared, replace it.
Machine skips and leaves crop residue.	Worn blades. Slip clutch slipping. Ground speed too fast.	Check for badly worn blades. If worn down to tip, overlap will be lost and cutting will deteriorate. Replace worn blades. Check slip clutch. Reduce ground speed.
Machine smells hot or begins to smoke.	Wrappings around rotor. Slip clutch slipping. Gearbox oil low.	Can be caused by friction from trash heavily wrapped around bearing protection covers. Remove trash immediately, damage to bearing could result. Check slip clutch. Check oil level in gearbox and lubricant on chain.
Oil leak from gearbox.	Oil seal or grease fitting damaged. Gearbox overfilled.	Replace oil seal or grease fitting. Remove excess oil.

7 - PRE-DELIVERY CHECKLIST

To the dealer: Inspect the machine thoroughly after assembly to assure it is functioning properly before delivering it to the customer. The following checklist is a reminder of points to cover. Check off each item as it is found satisfactory or after proper adjustment is made.

- Gearbox oil level.
- Guards and shield properly fastened.
- Lubrication of grease fittings.
- All hardware properly tightened.
- All decals properly located and readable (**see fig. 2**).
- Overall condition (touch up scratches, clean and polish).
- Test run, check for excessive vibrations or overheating of bearings.
- Operator's Manual.

Review the Operator's Manual with the customer. Explain the following:

- Warranty.
- Safe operation and service.
- Correct machine installation and operation.
- Daily and periodic lubrication, maintenance and inspections.
- Troubleshooting
- Operational procedures and storage.
- Parts and service.
- Remove and fill out the Pre-Delivery Checklist and Warranty Registration form.
- Give customer the Operator's Manual and encourage the customer to read the manual carefully.

IMPORTANT: Warranty is not valid unless Pre-Delivery Checklist and Warranty Registration form in Operator's Manual is completed in detail and mailed to the Company.

Model Number: _____ Serial Number: _____

Delivery Date: _____ Dealer's Signature: _____

8 - WARRANTY

BEFCO's responsibility will be limited to substitution of the acknowledged defective merchandise to the same place of delivery as the previous one was supplied.

1. LIMITED WARRANTY

BEFCO, Inc. herein referred to as the Company, warrants its machines and related accessories, hereafter referred to as the Machine, to be free from defects in material and workmanship, for a period of twelve (12) months from the date of invoice to the first registered owner; this limited warranty does not apply to common wear items and excludes belts, shear pins, oil, grease, tires, tubes, hydraulic hoses, knives and PTO shafts.

Labor will be reimbursed at \$40.00 per hour based on BEFCO's time schedule.

Cost of transport to the servicing dealer is the responsibility of the customer.

Warranty coverage shall not be transferable from the first owner to any subsequent owner.

2. DISCLAIMER OF ALL OTHER WARRANTIES AND REMEDIES

Neither the Company nor any company affiliated with the Company makes any warranties, representations or promises, expressed or implied, as to the quality, performance or application of its products other than those set forth herein and does not make any implied warranty of merchantability or fitness.

The only remedies the purchaser has in connection with the breach, or performance of any warranty on the Company's Machine are those set forth herein. In no event will the dealer, the Company, or any company affiliated with the Company, be liable for:

- a. Injuries or damages of any kind or nature, direct, consequential or contingent to person or property.
- b. Any expenses incurred by the owner to repair, replace or rework any allegedly defective item.
- c. Any loss, cost, forfeiture or damages (including loss of profits; loss of crops; loss because of delay in field operations; any expenses or loss incurred for labor, supplies, substitute machine rental; liabilities of the owner to its customers or third persons; and all other consequential damages, losses, liabilities or damages for any other reasons) whether direct or indirect, and whether or not resulting from or contributed to by the default or negligence of the Company, its agents, employees and subcontractors which might be claimed as a result of the use or failure of the equipment delivered.

The Company's liability based on this limited warranty or any other applicable laws shall be limited to replacement or refund of the purchase price of the product.

The limited warranty extended herein gives you specific rights and you may also have other rights which vary from state to state. Neither the dealer nor the Company personnel has the authority to make any representation or to modify the terms and limitations of this warranty in any way.

Other than the limited warranty extended hereby there is no other expressed warranty in connection with the design, safety or use of any of the Company's products except as to title. All implied warranties are expressly disclaimed pursuant to the terms of this warranty.

3. CUSTOM WORK

If the Machine is used for commercial purposes such as custom work, the period warranted for the Machine is limited to six (6) months from the date of delivery to the first registered owner and does not cover any labor charges incurred.

4. RENTAL

If the Machine is used for rental purposes the period warranted for the Machine is limited to thirty (30) days from the date of delivery to the first registered owner and does not cover any labor charges incurred.

5. REGISTRATION

In order to qualify for coverage on this limited warranty, the product and name of the original purchaser must be registered with the Company by a completed Machine Pre-Delivery Checklist and Warranty Registration along with a copy of the dealer's invoice to the first registered owner to the Company within fourteen (14) days after the date of delivery to the original purchaser.

6. WARRANTY SERVICE

Warranty Service must be performed by a dealer authorized by BEFCO. If the warranty service requested is approved, the owner shall pay only for labor beyond the rate allowed, for overtime labor, and for any mileage charge for transporting the equipment to and from the dealer's shop. It is assumed that the dealer has the appropriate general and special tools to service the Machine. Time required for replacement of knives, oil, grease and to remove excessive dirt from the Machine is not subject to reimbursement by the Company. The owner is required to clean the Machine before presenting it to the dealer for service work. The Machine must be delivered within thirty (30) days after failure date by the owner to the dealer to be eligible for warranty consideration.

7. UNAPPROVED SERVICE OR MODIFICATION

All obligations of the Company under this limited warranty shall be terminated if:

- a. Proper service and operation instructions as outlined in the Operator's Manual and on the instruction sticker on the Machine, are not followed.
- b. The Machine is modified or altered in any way not approved by the Company.
- c. The Company does not receive a copy of the dealer's invoice to the first registered owner within fourteen (14) days from the date of delivery.
- d. The Company has not been paid in full, by the dealer, for the Machine.

8. ACCIDENTS AND NORMAL MAINTENANCE

This limited warranty covers defective material and workmanship. It does not cover depreciation or damage caused by normal wear, accidents, improper maintenance, improper protection or improper use. The costs of normal maintenance or repairs for accidents or improper use, and related labor will be borne by the owner.

9. REPLACEMENT PARTS

BEFCO, Inc. warrants replacement parts to be free from defect in material and workmanship for a period of thirty (30) days from the date of delivery to the original purchaser.

WARRANTY REGISTRATION

BEFCO, Inc.
P.O. Box 6036
Rocky Mount, NC 27802-6036

Tel: (252) 977.9920 - Fax: (252) 977.9718

Dealer _____ Acct. # _____	Retail Customer _____
Street _____ Country _____	Street _____
Town _____ State _____ Zip _____	Town _____ State _____ Zip _____
Date of delivery _____ Invoice # _____	Phone _____
Model # _____ Serial # _____	
<p>Pre-Delivery Checklist:</p> <p><input type="checkbox"/> Oil in gearbox.</p> <p><input type="checkbox"/> Greased fittings.</p> <p><input type="checkbox"/> Safety guards in place.</p> <p><input type="checkbox"/> All hardware tight.</p> <p><input type="checkbox"/> Bolts torqued correctly.</p> <p><input type="checkbox"/> Attached unit to tractor. Yes/No.</p> <p><input type="checkbox"/> Field adjusted. Yes/No.</p> <p><input type="checkbox"/> Test run. Dry/Infield.</p> <p><input type="checkbox"/> Safety decals.</p> <p><input type="checkbox"/> Operator's Manual.</p> <p>The machine described above, had been prepared for delivery according to the Pre-Delivery Checklist and the Customer has been instructed in its care and operation and the condition of warranty.</p>	<p>Tractor make: _____</p> <p>Model: _____; HP _____</p> <p>Type of operation: Private homeowner, Landscaping, Commercial maintenance, Golf Course, Municipality, Turf Farm, others: _____</p> <p>Approximate number of acres machine will be used on annually: _____</p> <p>I hereby acknowledge that: I have received and accepted delivery of the machine described. The equipment was checked thoroughly for loose or missing parts and has been adjusted in accordance with the Pre-Delivery Checklist. I have read and understand the nature and extent of the warranty and understand clearly that there were and are no other representations of warranties either expressed or implied, made by anyone. I have been advised on proper operation, maintenance and lubrication procedure of this equipment. I have been instructed on and do understand the application, limitation and capacities this equipment was designed and recommended for, all as described in the Operator's Manual and literature published by the Company.</p>
Inspected by: _____	
Date: _____	Date: _____
Dealer's Signature: _____	Customer's Signature: _____

This registration along with a copy of the invoice must be sent to BEFCO, Inc. within 14 days of date of purchase.

Fold here

*Place stamp
here*

BEFCO, Inc.

Warranty Department

P.O. Box 6036

Rocky Mount, NC 27802-6036

Cut along this line



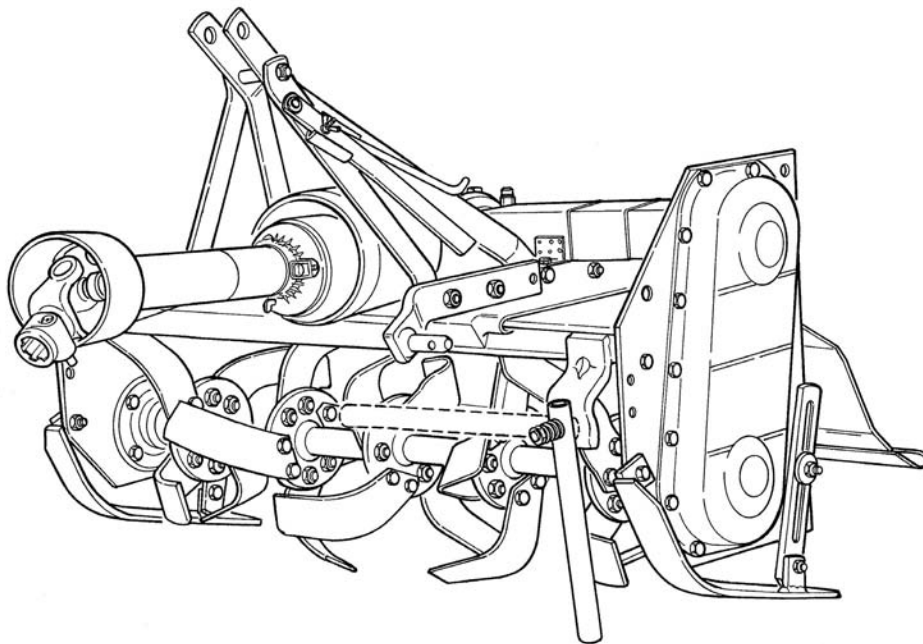
BEFCO®

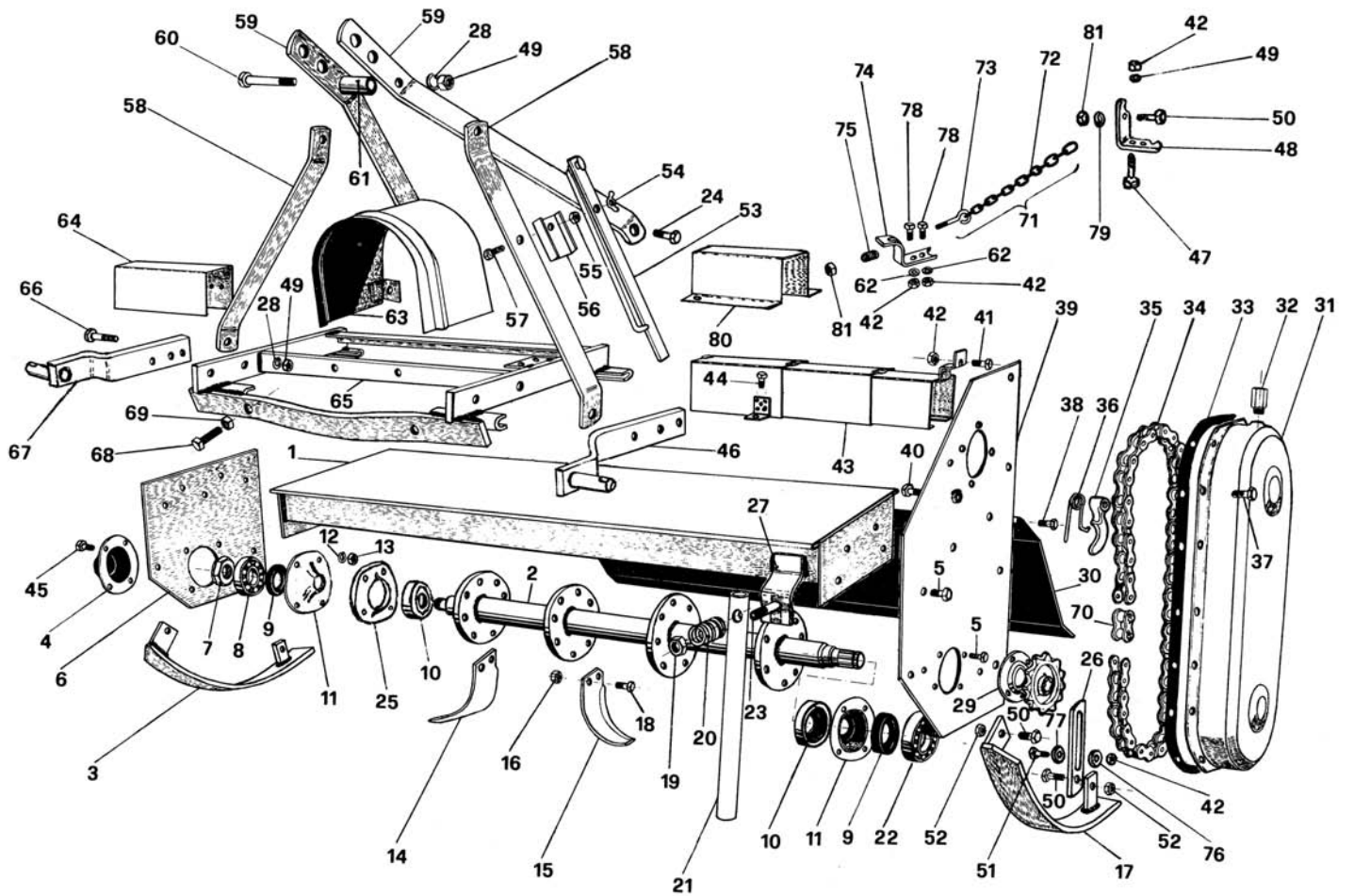
Parts Manual

SERIES G

Side-Shift Rotary Tiller

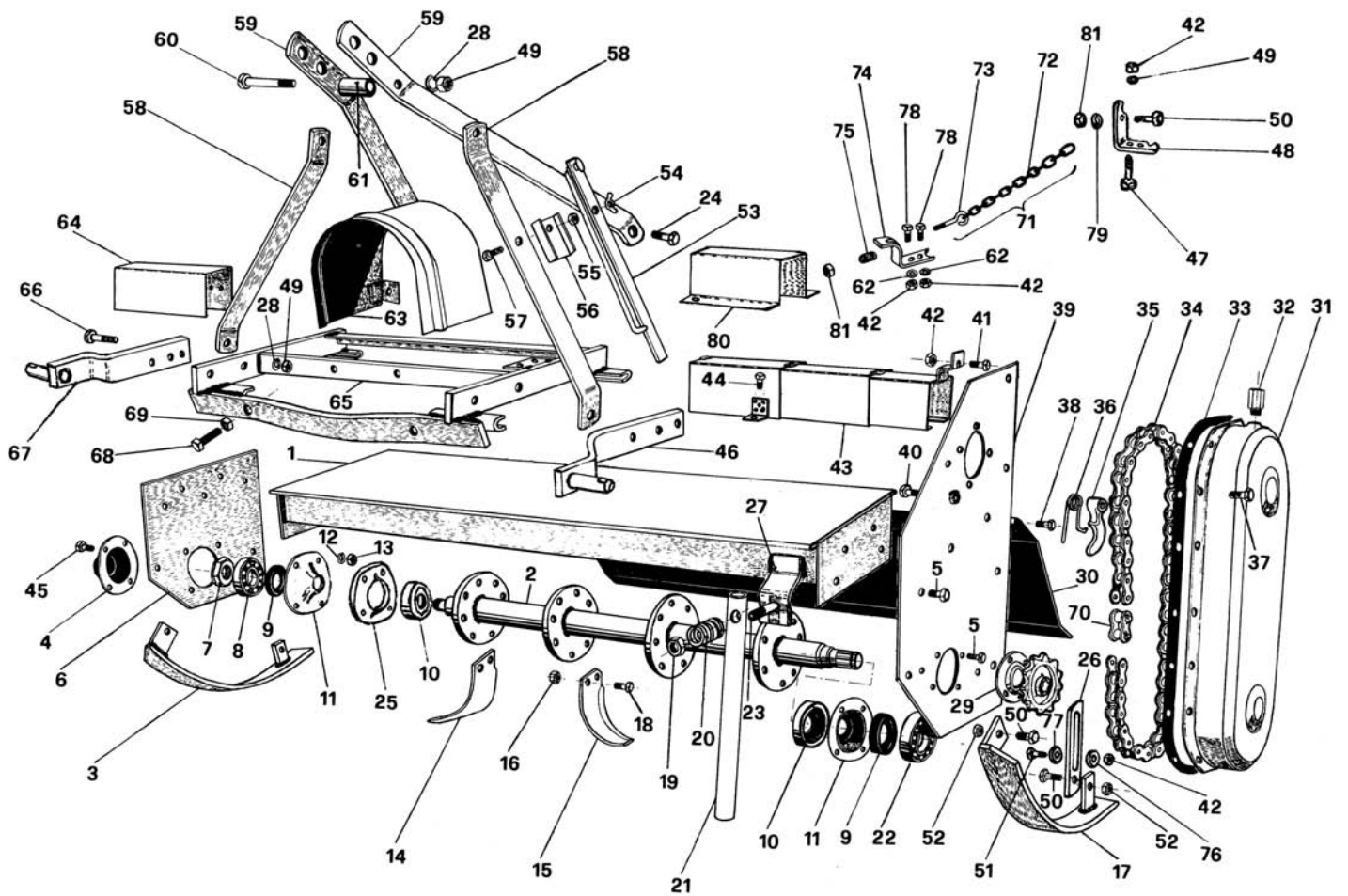
G34-231, G42-231, G50-231
G34-530, G42-530, G50-530



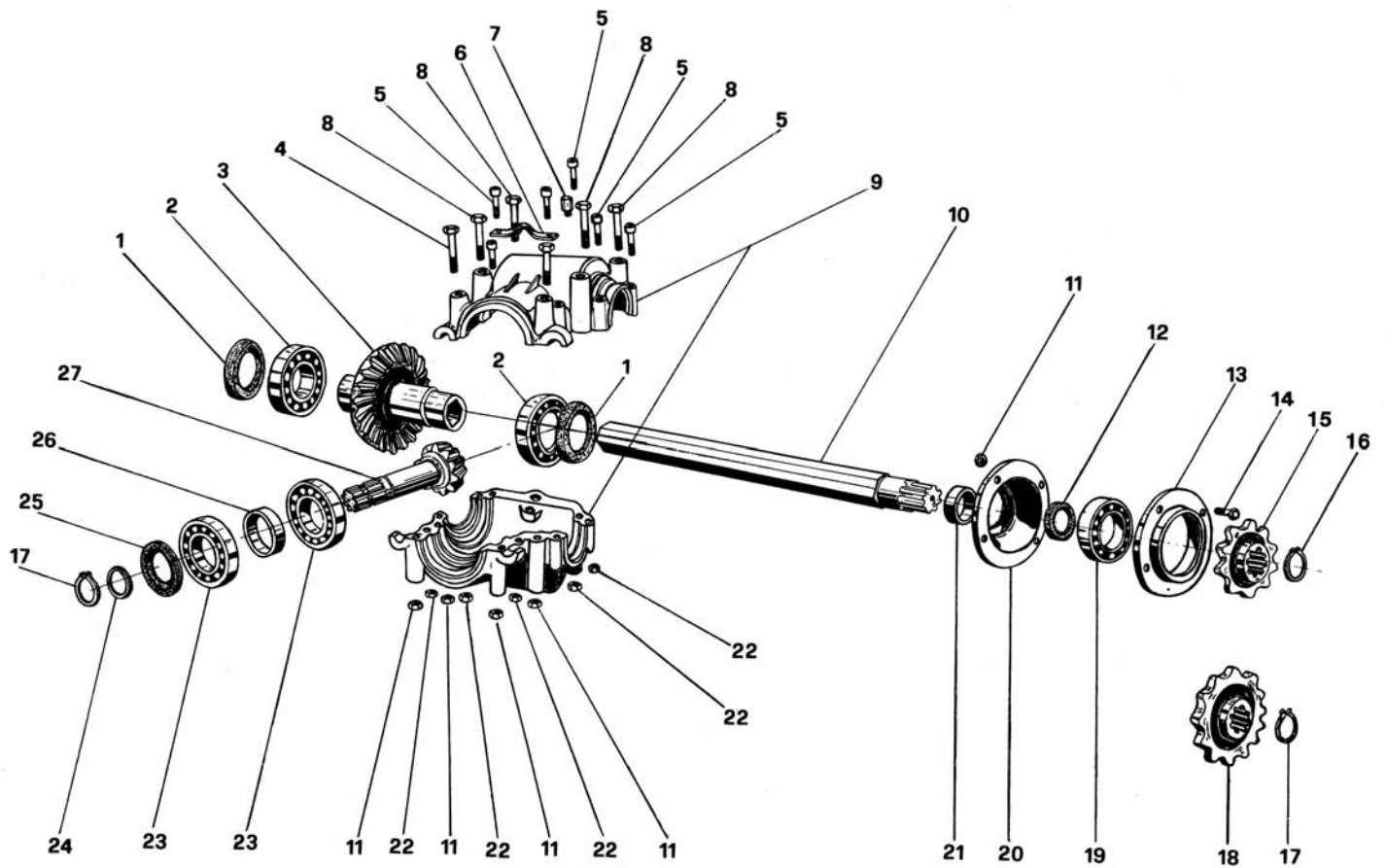


Ref.	Part #	Description	Qty.
1	011-0002	Frame G34	1
	021-0002	Frame G42	1
	031-0002	Frame G50	1
2	013-4081	Rotor G34	1
	023-4081	Rotor G42	1
	033-4081	Rotor G50	1
3	012-2051	Skid right	1
4	003-0091	Outer cover right	1
5	000-1241	Bolt HH M10-1.50x25 C8.8 N F	11
6	001-0011	Right side panel	1
7	003-0095	Locking ring ES GUK M30-1.50	1
8	003-0094	Bearing 6306	1
9	003-4098	Oil-seal 40.60.10	2
10	002-2074	Dirt shield	2
11	003-0092	Cover	2
12	000-1280	Washer, lock Ø10 Z	15
13	000-1010	Nut HH M10-1.50 C6 N TK	15
14	003-0104D	"C" blade, right ¹²	-
15	003-0104S	"C" blade, left ¹³	-
16	002-1105	Nut PT M12-1.25 C6 Z	-
17	022-2051	Skid left	1
18	002-1104	Bolt SP M12-1.25x30 C8.8 Z P	-
19	003-0358	Nut PT M14-2.00 C6 Z TK	1
20	000-1176	Spring	1
21	001-0353	Stand	1
22	002-5332	Bearing 6207	1
23	002-6187	Bolt HH M14-2.00x70 C8.8 Z P	1
24	002-3265	Bolt HH M12-1.75x40 C8.8 Z F	2
25	001-0073	Cover (until 1986)	2
26	002-1051	Serrated adjustment arm	2
27	001-0005	Stand support; #163038 & below	1
28	000-1077	Washer, lock Ø12 Z	7
29	001-0102	Outer cover left	1
30	012-3281	Tail gate G34; #163038 & below	1
	022-3281	Tail gate G42; #163038 & below	1
	032-3281	Tail gate G50; #163038 & below	1
31	002-2031	Chain case cover; #163038 & below	1
32	000-1107A	Breather cap	1
33	002-2032	Gasket	1
34	001-0125	Chain ASA 60 HEx46	1
35	003-0148	Chain tensioner	1
36	003-0158	Spring	1
37	000-1046	Bolt HH M10-1.50x20 C8.8 N F	14
38	000-7519	Bolt HH M14-2.00x70 C8.8 Z F	2
39	001-0021	Left side panel	1
40	003-0155	Bolt HH M10-1.50x60 C8.8 N F	1
41	000-1101	Bolt HH M10-1.50x45 C8.8 N F	1
42	000-1279	Nut HH M10-1.50 C6 TK Z	6

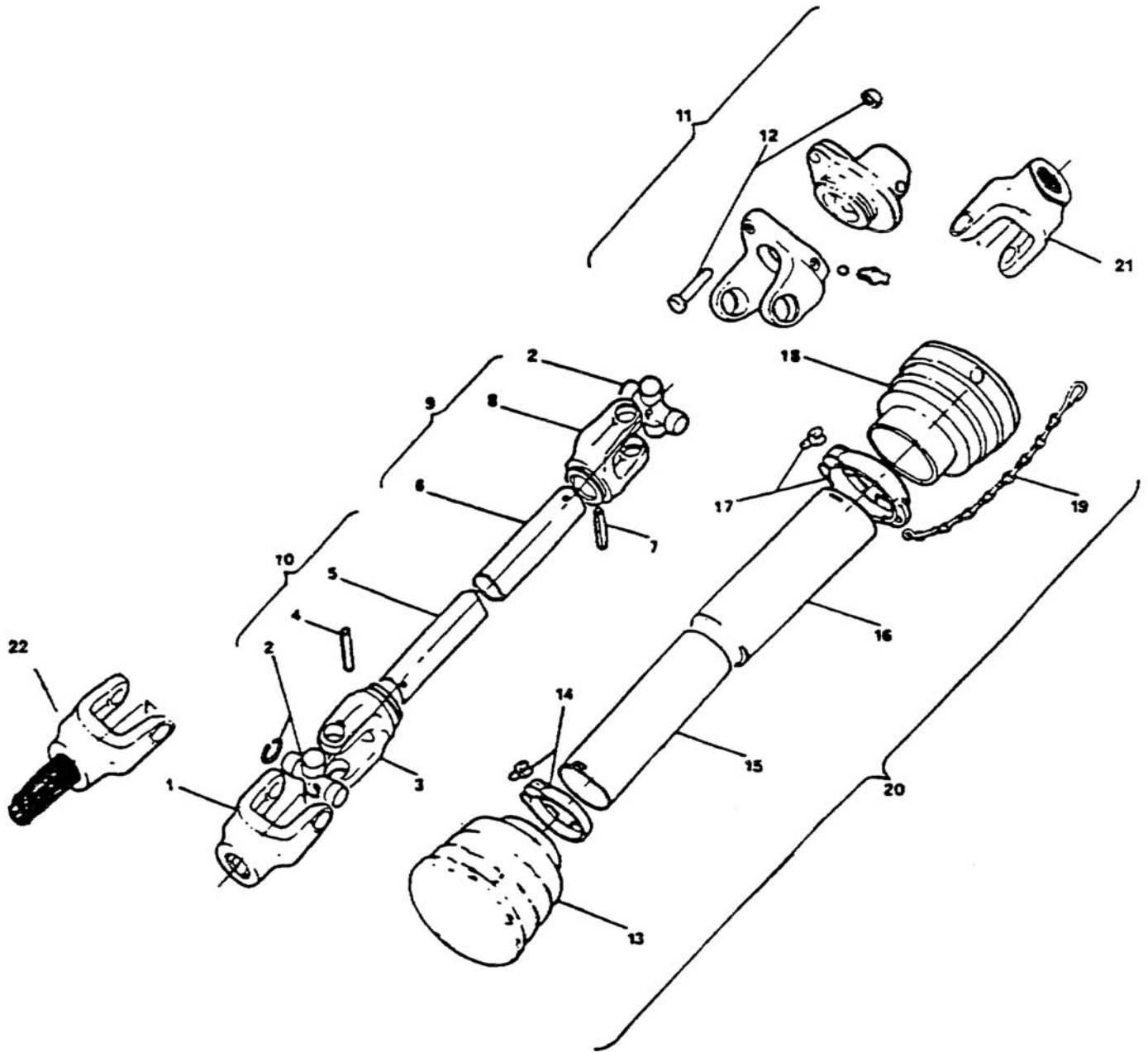
¹² Blades must be purchased in pairs (right & left blade).¹³ Blades must be purchased in pairs (right & left blade).



Ref.	Part #	Description	Qty.
43	011-0255	Protection G34, G42; #163038 & below	1
	021-0255	Protection G50; #163038 & below	1
44	000-6349	Bolt HH M10-1.50x20 C8.8 Z F	2
45	000-1008	Bolt HH M10-1.50x30 C8.8 N F	4
46	021-0287	Lower hitch plate left	1
47	003-0334	Bolt HH M10-1.50x55 C8.8 Z F	1
48	003-0321	Chain hitch	1
49	000-3038	Nut HH M12-1.75 C6 Z TK	8
50	000-1278	Bolt HH M10-1.50x30 C8.8 Z F	5
51	002-6329	Bolt HH M10-1.50x45 C8.8 Z F	2
52	003-0156	Nut PT M10-1.50 C6 Z TK	4
53	001-0342	Ratchet arm; #163038 & below	1
54	000-1807	Nut wing M08-1.25 C5 Z	1
55	000-1806	Nut HH M08-1.25 C6 Z TK	1
56	003-0339	Locking cover	1
57	000-8037	Bolt HH M08-1.25x50 C8.8 Z F	1
58	001-0273	Top hitch support	2
59	001-0272	Top hitch arm	2
60	003-4286	Bolt HH M12-1.75x100 C8.8 Z P	1
61	002-1285	Spacer	1
62	000-1280	Washer, lock Ø10 Z	2
63	003-4355	PTO shaft protection; #163038 & below	1
64	001-0248	Right protection G34, G42; #163038 & below	1
	001-0249	Right protection G50; #163038 & below	1
65	001-0241	Side shift complete; #163038 & below	1
66	003-0054	Bolt HH M12-1.75x50 C8.8 Z F	2
	000-7716	Bolt HH M12-1.75x45 C8.8 Z F	2
67	011-0287	Lower hitch plate right	1
68	002-1257	Bolt HH M12-1.75x60 C8.8 Z F	2
69	000-1106	Nut HH M12-1.75 C6 Z MD	2
70	001-0126B	Chain link, master ASA 60HE	-
	001-1119	Chain link, inner ASA 60HE	-
	001-1120	Chain link, false ASA 60HE	-
71	001-0317	Chain, complete	1
72	001-0318	Chain	1
73	002-1304	Hook	1
74	002-1306	Chain hitch	1
75	002-1315	Spring	1
76	002-1053	Washer with holes	2
77	002-1052	Washer with thread	2
78	003-3176	Bolt HH M10-1.50x25 C8.8 Z F	2
79	003-0327	Washer, flat Ø10 Z	1
80	001-0258	Left protection; #163038 & below	1
81	001-4106	Nut ES M10-1.50 Z TK	2



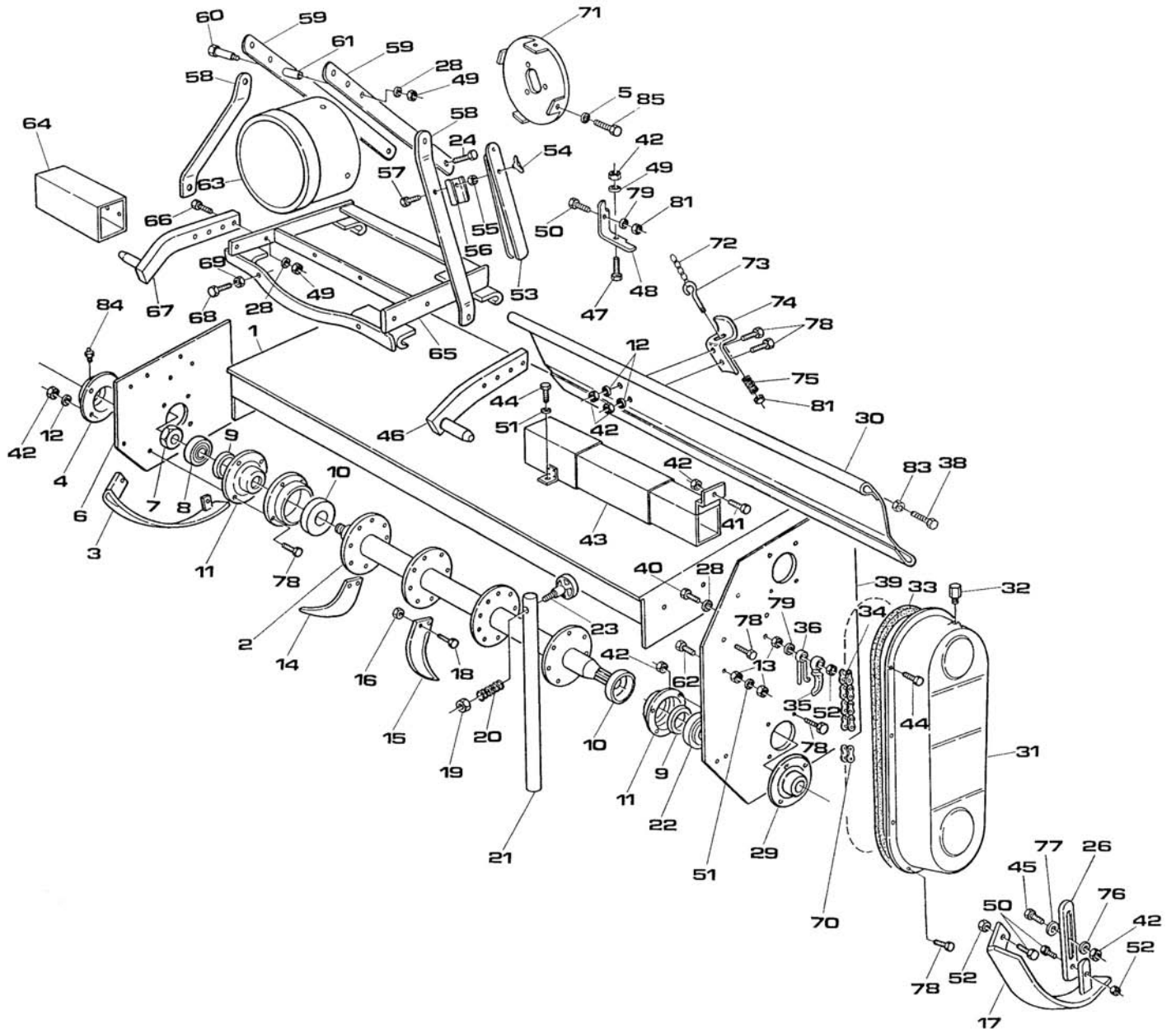
Ref.	Part #	Description	Qty.
1	001-0192	Oil seal 40.68.10	2
2	001-2149	Bearing 6208	2
3	001-0182	Ring gear Z23 (540 rpm); GXX-231	1
	001-0425	Ring gear Z31 (2000 rpm); GXX-530	1
4	001-0169	Bolt SC M10-1.50x110 C12.9 N P	2
5	001-0173	Bolt SC M08-1.25x50 C8.8 N P	7
6	001-0180	Plate	1
7	001-0177	Breather cap	1
8	001-0165	Bolt HH M10-1.50x120 C8.8 N P	4
9	330-0322	Gearbox housing bottom	1
	330-0322F	Gearbox housing top	1
10	011-0158	Hexagonal shaft G34	1
	021-0158	Hexagonal shaft G42	1
	031-0158	Hexagonal shaft G50	1
11	000-1010	NUT HH M10-1.50 C6 N TK	10
12	003-4098	Oil seal 40.60.10	1
13	001-0143	Bearing cover, outer	1
14	000-1241	Bolt HH M10-1.50x25 C8.8 N F	3
15	001-0111	Sprocket Z15 (540 rpm); GXX-231	1
	001-0115	Sprocket Z12 (540 rpm); option	1
	001-0118	Sprocket Z9 (2000 rpm); GXX-530	1
16	001-0122	Snap ring, outer Ø30	1
17	004-2122	Snap ring, outer Ø35	1
18	001-0112	Sprocket Z16 (540 rpm); GXX-231	1
	001-0116	Sprocket Z19 (540 rpm); option	1
	001-0119	Sprocket Z22 (2000 rpm); GXX-530	1
19	003-0094	Bearing 6306	1
20	003-0092	Bearing cover, inner	1
21	001-0148	Spacer	1
22	000-6513	Nut HH M08-1.25 C6 N TK	7
23	002-5332	Bearing 6207	2
24	003-4196	Spacer washer	1
25	000-2295	Oil seal 35.62.10	1
26	001-0196	Spacer (540 rpm); GXX-231	1
	001-0435	Spacer (2000 rpm); GXX-530	1
27	001-0187	Pinion gear (540 rpm); GXX-231	1
	001-0429	Pinion gear (2000 rpm); GXX-530	1
	050-0514	Gearbox, complete (540 rpm); GXX-231 #163038 & below	-
	050-0516	Gearbox, complete (2000 rpm); GXX-530 #163038 & below	-



Ref.	Part #	Description	Qty.
1	022-001E	Yoke, tractor end	1
2	012-130E	Cross & bearing	2
3	012-002E	Yoke, inner tube	1
4	000-011E	Roll pin M08x50	1
5	120-107E	Inner tube	1
6	120-207E	Outer tube	1
7	000-012E	Roll pin M08x55	1
8	012-003E	Yoke, outer tube	1
11	220-001E	Yoke shear bolt, implement end	1
12	000-509E	Shear bolt M06-1.00x40 C8.8 N P & nut PT M06-1.00	1
13	012-012E	Guard cone, inner tube	1
14	012-006E	Locking collar, inner tube	1
15	121-207E	Shield, inner tube	1
16	121-107E	Shield, outer tube	1
17	012-007E	Locking collar, outer tube	1
18	012-013E	Guard cone, outer tube	1
19	016-025E	Safety chain	1
20	220-207E	Shield complete	1
21	022-001E	Yoke, implement end (w/o shear bolt)	1
22	022-003E	Yoke, tractor end (2000 rpm)	-
	320-107E	Driveline (no protection)	-
	948-107B	Driveline w/shear bolt complete T20 (540 rpm) ¹⁴	-
	948-102B	Driveline w/shear bolt complete T20 (2000 rpm) ¹⁵	-
	026-004E	Push pin set (press in retainer)	-
	026-009E	Push pin set (c clip retainer)	-
	000-024E	Ball bearing for 220-001E	19
	000-020E	Grease fitting M08-1.00 for 220-001E	1

¹⁴ Interchangeable with driveline #050-0406.

¹⁵ Interchangeable with driveline #050-0463.

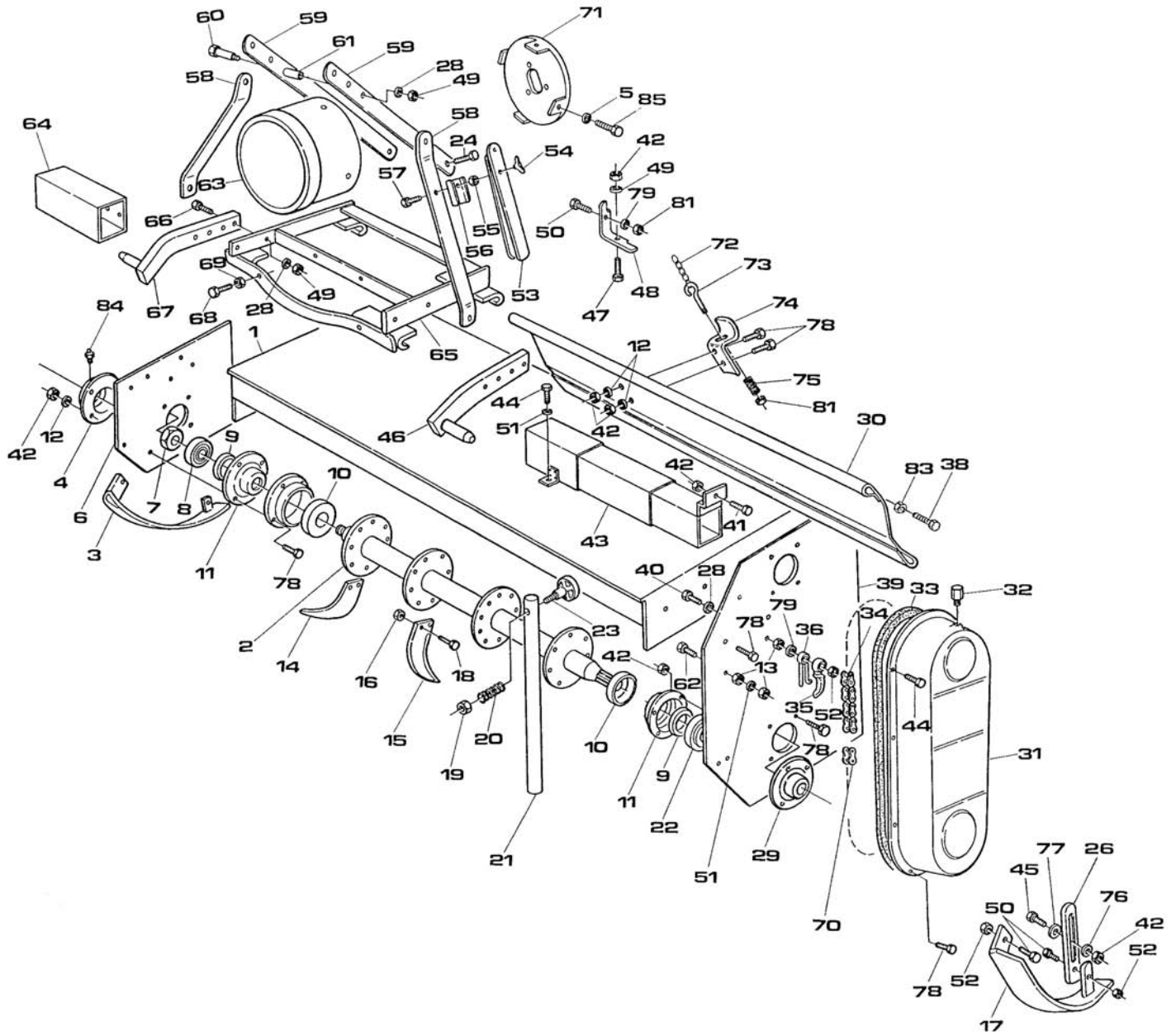


G34-231, G42-231, G50-231, G34-530, G42-530, G50-530

Ref.	Part #	Description	Qty.
1	011-0002	Frame G34	1
	021-0002	Frame G42	1
	031-0002	Frame G50	1
2	013-4081	Rotor G34	1
	023-4081	Rotor G42	1
	033-4081	Rotor G50	1
3	012-2051	Skid, right	1
4	003-0091	Outer cover, right	1
5	001-1209	Washer, flat Ø06	4
6	001-0011	Right side panel	1
7	003-0095	Locking ring ES GUK M30-1.50	1
8	003-0094	Bearing 6306	1
9	003-4098	Oil seal 40.60.10	2
10	002-2074	Dirt shield	2
11	003-0092	Cover	2
12	000-1280	Washer, lock Ø10 Z	-
13	000-1010	Nut HH M10-1.50 C6 N TK	3
14	003-0104D	"C" blade, right ¹⁶	-
15	003-0104S	"C" blade, left ¹⁷	-
16	002-1105	Nut PT M12-1.25 C6 Z	-
17	022-2051	Skid left	1
18	002-1104	Bolt SP M12-1.25x30 C8.8 Z P	-
19	003-0358	Nut PT M14-2.00 C6 Z TK	1
20	000-1176	Spring	1
21	001-0353	Stand	1
22	002-5332	Bearing 6207	1
23	002-6187	Bolt HH M14-2.00x70 C8.8 Z P	1
24	002-3265	Bolt HH M12-1.75x40 C8.8 Z F	2
26	002-1051	Serrated adjustment arm	2
28	000-1077	Washer, lock Ø12 Z	-
29	001-0102	Outer cover left	1
30	013-0303	Tail gate G34; #163039 & above	1
	023-0303	Tail gate G42; #163039 & above	1
	033-0303	Tail gate G50; #163039 & above	1
31	001-1030	Chain case cover; #163039 & above	1
32	001-0035	Breather cap	1
33	002-2032	Gasket	1
34	001-0125	Chain ASA 60HEx46	1
35	003-0148	Chain tensioner	1
36	003-0158	Spring	1
37	009-1281	Bolt HH M10-1.50x35 C8.8 Z F	4
38	003-0309	Bolt HH M16-2.00x70 C8.8 Z F	2
39	001-0021	Left side panel	1
40	003-0155	Bolt HH M10-1.50x60 C8.8 N F	1
41	003-0331	Bolt HH M10-1.50x50 C8.8 Z F	1
42	000-1279	Nut HH M10-1.50 C6 TK Z	6
43	011-0253	Protection G34, G42; #163039 & above	1
	021-0253	Protection G50; #163039 & above	1

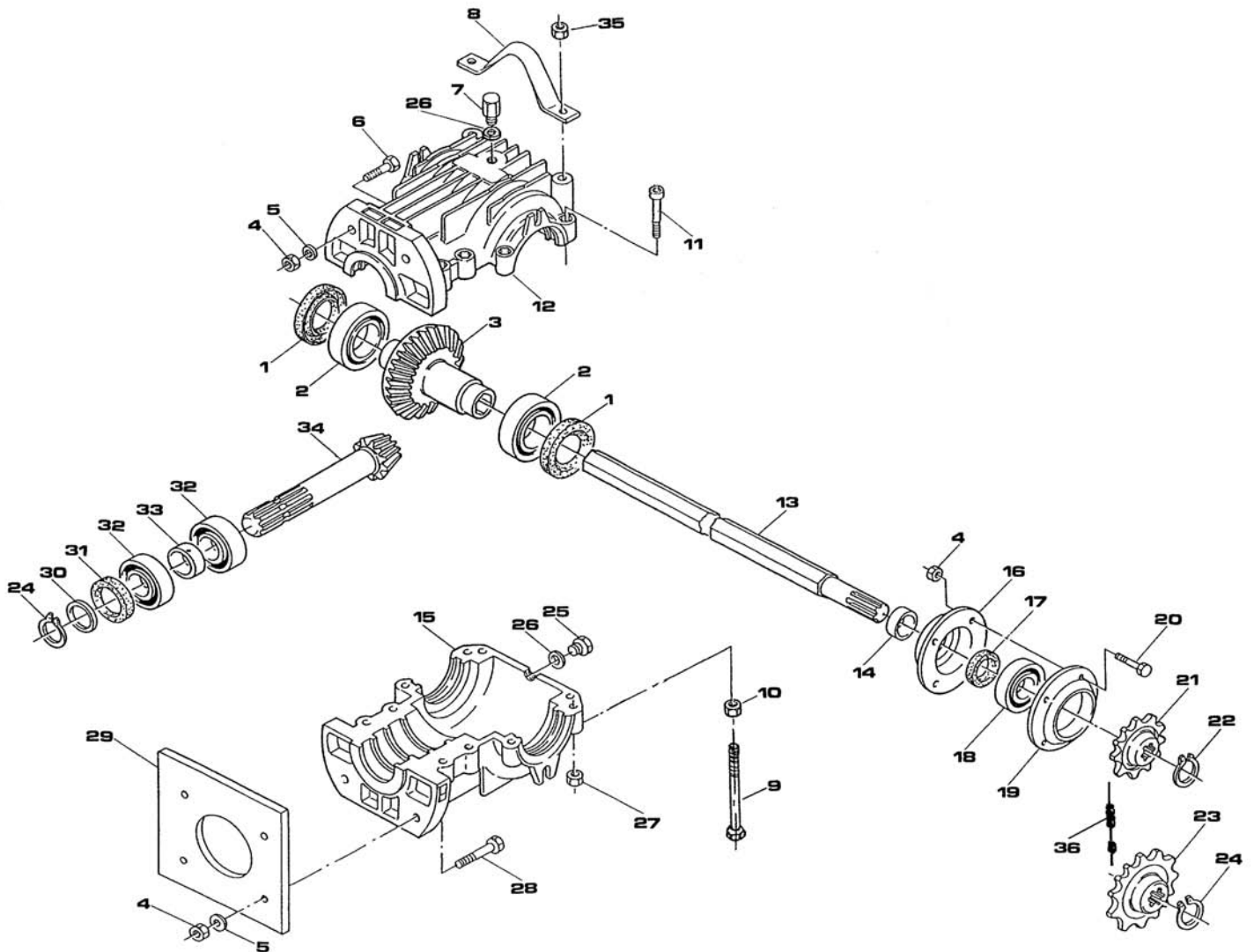
¹⁶ Blades must be purchased in pairs (right & left blade).

¹⁷ Blades must be purchased in pairs (right & left blade).



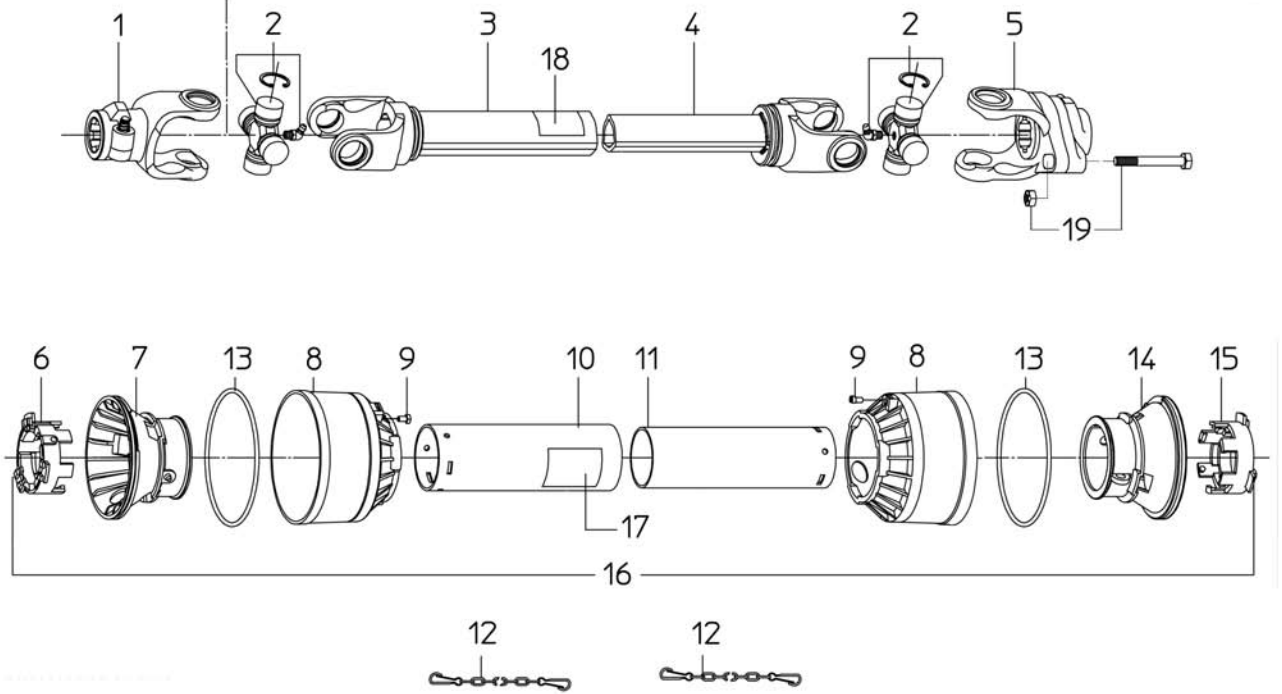
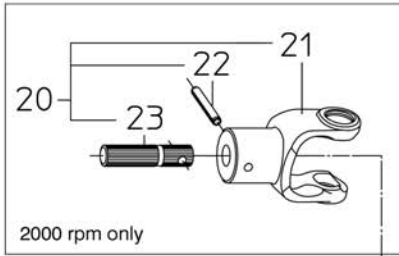
G34-231, G42-231, G50-231, G34-530, G42-530, G50-530

Ref.	Part #	Description	Qty.
44	000-6349	Bolt HH M10-1.50x20 C8.8 Z F	-
45	003-0331	Bolt HH M10-1.50x50 C8.8 Z F	2
	013-0155	Bolt HH M10-1.50x60 C8.8 Z F	2
46	021-0287	Lower hitch plate left	1
47	003-0334	Bolt HH M10-1.50x55 C8.8 Z F	1
48	003-0321	Chain hitch	1
49	000-3038	Nut HH M12-1.75 C6 Z TK	-
50	000-1278	Bolt HH M10-1.50x30 C8.8 Z F	5
51	000-2034	Washer, flat Ø10 Z	-
52	003-0156	Nut PT M10-1.50 C6 Z TK	5
53	001-0335	Ratchet arm; #163039 & above	1
54	000-1807	Nut wing M08-1.25 C5 Z	1
55	000-1806	Nut HH M08-1.25 C6 Z TK	1
56	003-0339	Locking cover	1
57	000-8037	Bolt HH M08-1.25x50 C8.8 Z F	1
58	001-0273	Top hitch support	2
59	001-0272	Top hitch arm	2
60	003-4286	Bolt HH M12-1.75x100 C8.8 Z P	1
61	002-1285	Spacer	1
62	003-0322	Bolt HH M10-1.50X50 C8.8 Z P	1
63	001-1207	PTO shaft protection	1
64	012-2450	Right protection G34, G42; #163039 & above	1
	022-2450	Right protection G50; #163039 & above	1
65	001-0250	Side shift complete; #163039 & above	1
66	003-0054	Bolt HH M12-1.75x50 C8.8 Z F	2
	000-7716	Bolt HH M12-1.75x45 C8.8 Z F	2
67	011-0287	Lower hitch plate right	1
68	002-1257	Bolt HH M12-1.75x60 C8.8 Z F	2
69	000-1106	Nut HH M12-1.75 C6 Z MD	2
70	001-0126B	Chain link, master ASA 60HE	-
	001-1119	Chain link, inner ASA 60HE	-
	001-1120	Chain link, false ASA 60HE	-
71	001-1201	Protection support	1
72	001-0318	Chain	1
73	002-1304	Hook	1
74	002-1306	Chain hitch	1
75	002-1315	Spring	1
76	002-1053	Washer with holes	3
77	002-1052	Washer with thread	2
78	003-3176	Bolt HH M10-1.50x25 C8.8 Z F	-
79	003-0157	Washer, flat Ø10 Z	2
81	001-4106	Nut ES M10-1.50 Z TK	1
83	000-3124	Nut HH M16-2.00 C6 Z MD	2
84	000-1065	Grease fitting M10-1.00	1
85	001-1210	Bolt PN M06-1.00x12 C4.6 Z F	4



G34-231, G42-231, G50-231, G34-530, G42-530, G50-530

Ref.	Part #	Description	Qty.
1	001-0192	Oil seal 40.68.10	2
2	001-2149	Bearing 6208	2
3	001-0182	Ring gear Z23 (540 rpm); GXX-231	1
	001-0425	Ring gear Z31 (2000 rpm); GXX-530	1
4	000-3038	Nut HH M12-1.75 C6 Z TK	3
5	000-1077	Washer, lock Ø12 Z	4
6	000-7255	Bolt HH M12-1.75x35 C8.8 Z F	2
7	001-0177	Breather cap	1
8	001-0175	Plate	1
9	010-1215	Bolt HH M10-1.50x140 C8.8 Z P	2
10	000-1042	Nut HH M12-1.75 C6 N TK	2
11	001-0171	Bolt SC M08-1.25x50 C8.8 Z P	8
12	001-0164	Gearbox housing with hole	1
13	011-0158	Hexagonal shaft G34	-
	021-0158	Hexagonal shaft G42	-
	031-0158	Hexagonal shaft G50	-
14	001-0148	Spacer	1
15	330-0101	Gearbox housing without hole	1
16	003-0092	Cover	1
17	003-4098	Oil seal 40.60.10	1
18	003-0094	Bearing 6306	1
19	001-0143	Outer cover left	1
20	000-6349	Bolt HH M10-1.50x20 C8.8 Z F	-
21	001-0111	Sprocket Z15 (540 rpm); GXX-231	1
	001-0115	Sprocket Z12 (540 rpm); option	1
	001-0118	Sprocket Z9 (2000 rpm); GXX-530	1
22	001-0122	Snap ring, outer Ø30	1
23	001-0112	Sprocket Z16 (540 rpm); GXX-231	1
	001-0116	Sprocket Z19 (540 rpm); option	1
	001-0119	Sprocket Z22 (2000 rpm); GXX-530	1
24	004-2122	Snap ring, outer Ø35	1
25	001-0727	Drain plug	1
26	000-8601	Gasket	2
27	000-1806	Nut HH M08-1.25 C6 Z TK	8
28	000-7716	Bolt HH M12-1.75x45 C8.8 Z F	2
29	001-0168	Metal cover	1
30	003-4196	Spacer washer	1
31	000-2295	Oil seal 35.62.10	1
32	002-5332	Bearing 6207	2
33	001-0196	Spacer (540 rpm); GXX-231	1
	001-0435	Spacer (2000 rpm); GXX-530	1
34	001-0187	Pinion gear (540 rpm); GXX-231	1
	001-0429	Pinion gear (2000 rpm); GXX-530	1
35	003-0156	Nut PT M10-1.50 C6 Z TK	2
36	001-0125	Chain ASA 60HEx46	1
	050-0604	Gearbox, complete (540 rpm); GXX-231 #163039 & above	-
	050-0603	Gearbox, complete (2000 rpm); GXX-530 #163039 & above	-



G34-231, G42-231, G50-231, G34-530, G42-530, G50-530

Ref.	Part #	Description	Qty.
1	1021010C	Yoke (tractor end)	1
2	1002020C	Cross & bearing	2
3	1942035NC	Outer tube	1
4	1952037NC	Inner tube	1
5	1482037C	Yoke, shear bolt (implement end)	1
6	1782210C	Locking ring, outer tube	1
7	1784201C	Rigid cone, outer tube	1
8	1784203C	Standard cone	2
9	1784212C	Pin, PTO shield	2
10	1773033C	Shield, outer tube	1
11	1872033C	Shield, inner tube	1
12	1006065C	Chain, anti-rotation	2
13	1213233C	Stiffening ring	2
14	1784202C	Rigid cone, inner tube	1
15	1782211C	Locking ring, inner tube	1
16	90SS2033C	Shield, complete	1
17	950-463B	Decal "DANGER - Rotating driveline, keep away" outer shield	1
18	950-464B	Decal "DANGER - Guard missing, do not operate" outer tube	1
19	000-509E	Shear bolt M06-1.00x40 C8.8 N P & nut PT M06-1.00	1
20	1702215C	Yoke & shaft 1"-Z15 spline (2000 rpm only) - GXX-530	1
21	1702415C	Splined yoke 1"-Z15 (2000 rpm only) - GXX-530	1
22	002-6342	Roll pin Ø8x50 (2000 rpm only) - GXX-530	1
23	1002015C	Splined shaft 1"-Z15 (2000 rpm only) - GXX-530	1
	050-0406	Driveline w/shear bolt complete (540 rpm) - GXX-231	-
	050-0463	Driveline w/shear bolt complete (2000 rpm) - GXX-530	-

Use only original spare parts

All rights reserved. It is unlawful to copy, reprint or use any of the information or details in this manual without the expressed written permission of the Company. Technical information provided in this manual is approximate, the Company reserves the right to modify or improve the models shown for technical or commercial purposes. Pictures in this manual do not necessarily show the machine as delivered.

BEFCO[®]

P.O. Box 6036
Rocky Mount, NC 27802-6036
Tel.: 252.977.9920 - Fax: 252.977.9718
www.befco.com

