

# **BEFCO®**

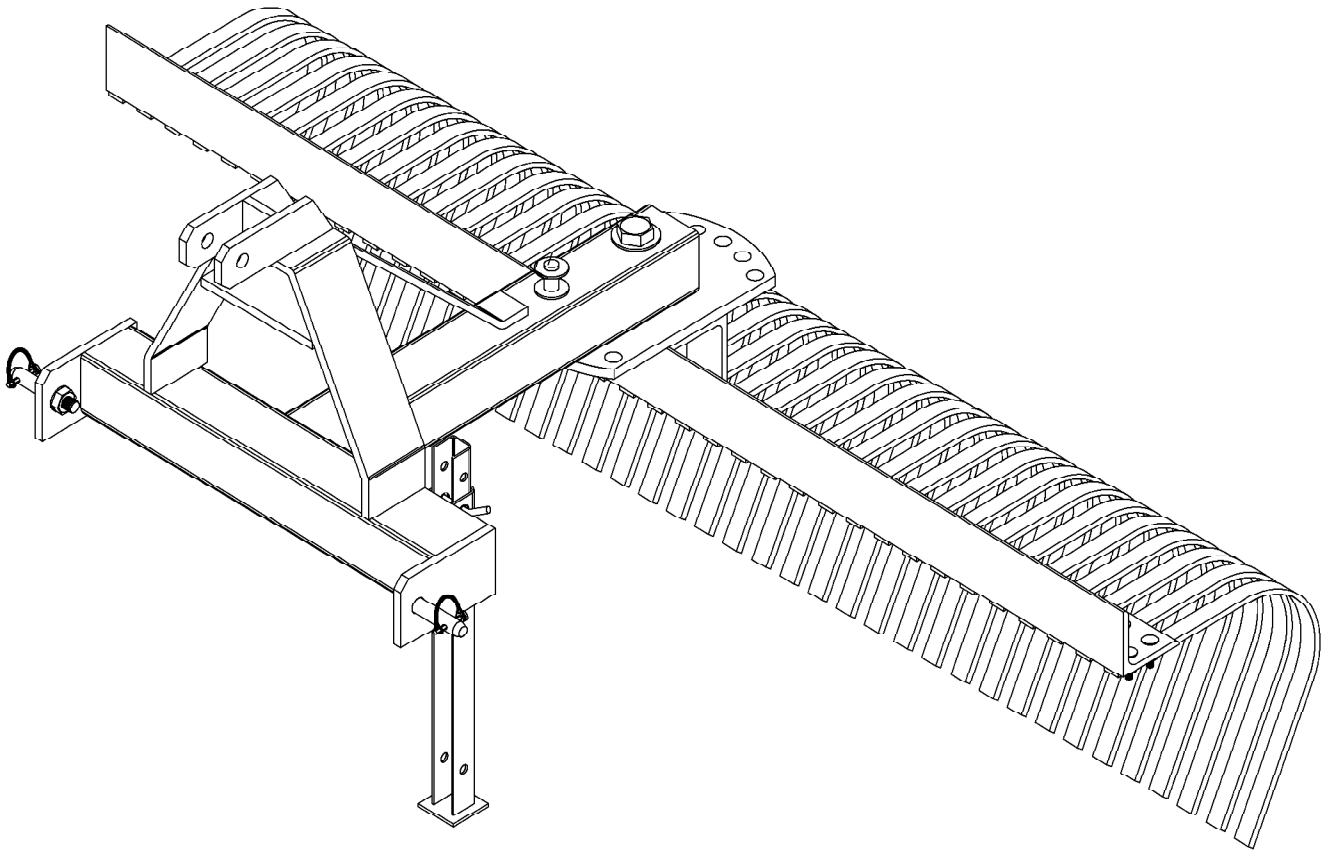
## **Operator's Manual**

# **GROUND ENGAGE EQUIPMENT**

**Landscape Rakes**

**BLR-C48, BLR-C60**

**BLR-048, BLR-060, BLR-072, BLR-084, BLR-096**



The operator's manual is a technical service guide and must always accompany the machine.

**Manual 971-208B**

**December 2008**

# SAFETY

Take note! This safety alert symbol found throughout this manual is used to call your attention to instructions involving your personal safety and the safety of others. Failure to follow these instructions can result in injury or death.



*This symbol means:  
ATTENTION!  
BECOME ALERT!  
YOUR SAFETY IS INVOLVED!*

## Signal Words

Note the use of the signal words DANGER, WARNING and CAUTION with the safety messages. The appropriate signal words for each have been selected using the following guidelines:



**DANGER:** Indicates an imminently hazardous situation that, if not avoided, will result in death or serious injury.



**WARNING:** Indicates a potentially hazardous situation that, if not avoided, could result in death or serious injury, and includes hazards that are exposed when guards are removed. It may also be used to alert against unsafe practices.



**CAUTION:** Indicates a potentially hazardous situation that, if not avoided, may result in minor or moderate injury.

# INDEX

<b>1 - GENERAL INFORMATION</b>	4
1.01 - General	4
1.02 - Model and Serial Number ID	4
1.03 - Assembly Instructions	5
<b>2 - SAFETY PRECAUTIONS</b>	7
2.01 - Preparation	7
2.02 - Starting and Stopping	8
2.03 - Messages and Signs	8
<b>3 - OPERATION</b>	10
3.01 - Operational Safety	10
3.02 - Setup	12
3.03 - Pre-Operational Check	12
3.04 - Attaching to the Tractor	12
3.05 - Start Up	13
3.06 - Working Speed	14
3.07 - Operating Techniques	14
3.08 - Optional Gauge Wheels	14
3.09 - Uneven Terrain	15
3.10 - Transport	16
<b>4 - MAINTENANCE</b>	17
4.01 - Maintenance Safety	17
4.02 - Service	18
<b>5 - REPAIR PROCEDURES</b>	20
5.01 - Rake Tines Replacement	20
5.02 - Suggested Spare Parts	20
5.03 - Storage	21
<b>6 - TROUBLESHOOTING</b>	22
<b>7 - PRE-DELIVERY CHECKLIST</b>	23
<b>8 - WARRANTY</b>	24
<b>PARTS MANUAL</b>	29

# 1 - GENERAL INFORMATION

Thank you and congratulations for having chosen our implement. Your new landscape rake is a technologically advanced machine constructed of high quality, sturdy components that will fulfill your working expectations. Read this manual carefully. It will instruct you on how to operate and service your implement safely and correctly. Failure to do so could result in personal injury and/or in equipment damage.

## 1.01 - General



**CAUTION:** Right hand and left hand sides of the implement are determined by facing in the direction the implement will travel when going forward (see fig. 3).

## 1.02 - Model and Serial Number ID

Attached to the frame is an ID plate showing the model and the serial number. Record your implement model and serial number in the space provided below. Your dealer needs this information to give you prompt, efficient service when you order parts.

<b>BEFCO</b>	1781 S. Wesleyan Blvd. — P.O. Box 6036 Rocky Mount, N.C. 27802 — U.S.A. Tel: 1.252.977.9920 Fax: 1.252.977.9718
<b>MODEL:</b>	<input type="text"/>
<b>SERIAL:</b>	<input type="text"/>
<b>VERSION:</b>	<input type="text"/>

Carefully read the Warranty section<sup>1</sup>, detailing coverage and limitations of this warranty. **Warranty** is provided for customers who operate and maintain their equipment as described in this manual. Warranty registration is accomplished by the dealer by completing and forwarding the **Warranty Registration** form to the Company, along with a copy of the dealer's invoice. It is in your best interest to insure that this has been done.

Warranty does not cover the following:

1. Cleaning, transporting, mailing and service call charges.
2. Normal wear items such as rake tines, etc.

<sup>1</sup> See Chapter 8 - Warranty.

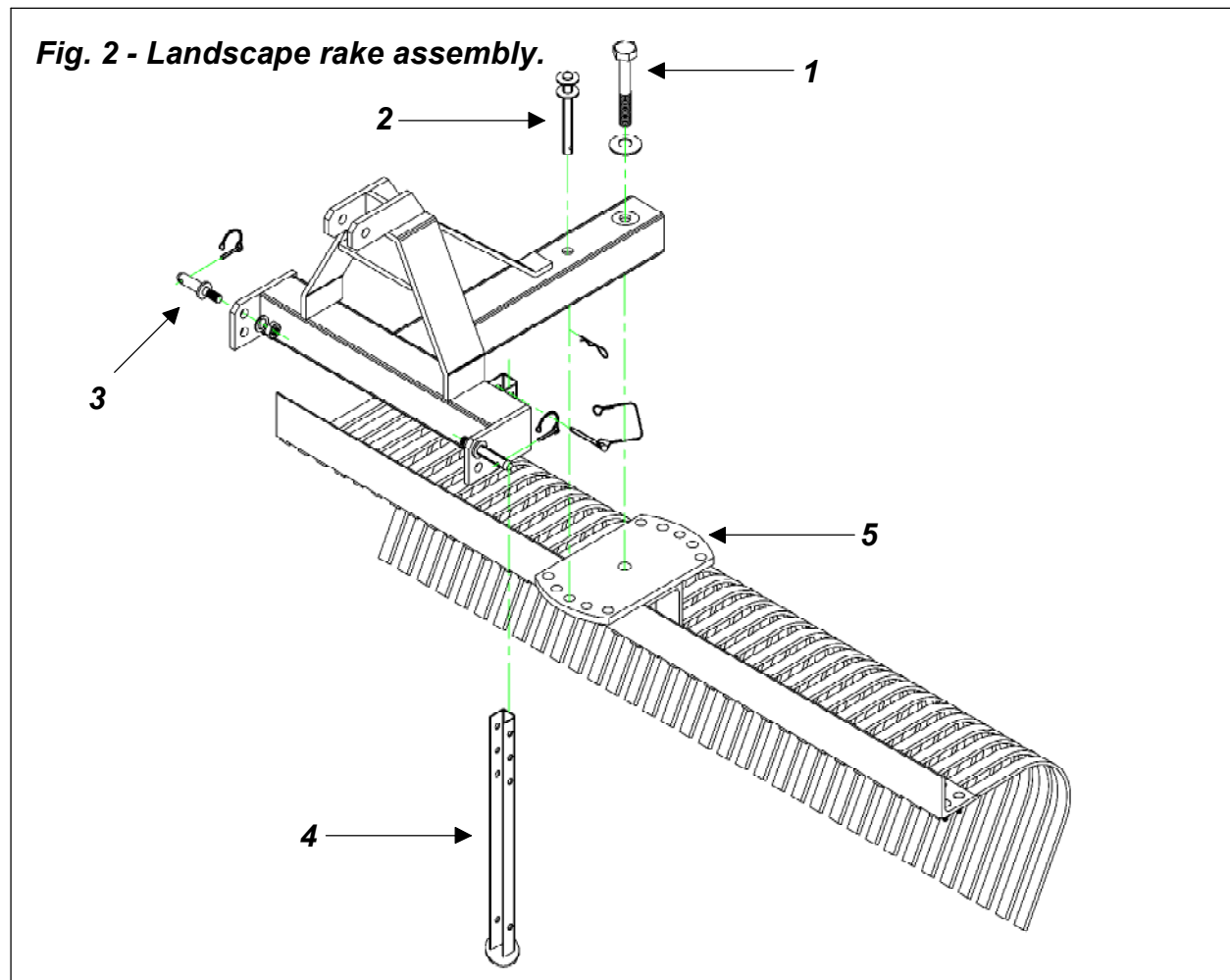
3. Depreciation or damage caused by normal wear, accidents, improper maintenance, improper protection or improper use.
4. The use of non-original spare parts and accessories.

Your Authorized Company Dealer has genuine parts in stock. Only these approved replacement parts should be used.

This limited warranty covers defective material and workmanship. The cost of normal maintenance or repairs for accidents or improper use and related labor will be borne by the owner.

### 1.03 - Assembly Instructions

For transportation purposes the "A" frame of the landscape rake is not assembled to the frame.



**To assemble the "A" frame to the rake assembly proceed as follows:**

1. Securely block rake assembly with blocks or stands so that swivel plate (see #5, fig. 2) is facing upward.

2. Position the "A" frame on top of the rake assembly, insert the swivel pin (**see #2, fig. 2**) and secure with lynch pin.
3. Insert the foot stand (**see #4, fig. 2**) in storage position to support the rake and secure with lynch pin.
4. Screw the pivot bolt (**see #1, fig. 2**) and washer (1"x6" hex bolt on the standard series or the 3/4"x5" hex bolt on the subcompact series) to the welded nut on the rake assembly and tighten to correct torque<sup>2</sup>.
5. Insert right and left hitch pins (**see #3, fig. 2**) to the holes on the "A" frame. Insert 7/8" lock washer and 7/8" hex nut and tighten down securely.
6. Rake tines may need to be repositioned. Loosen the 3/8" hex nuts and adjust tines to proper position.
7. Ensure all hardware is properly tightened.



**CAUTION:** Stand clear of bands when cutting as they could be under sufficient tension to cause them to fly loose. Take care in removing bands and wire. They often have extremely sharp edges and cut very easily.

---

<sup>2</sup> See Table 1, page 19.

## 2 - SAFETY PRECAUTIONS

Safety is the primary concern in the design and manufacture of our products. Unfortunately our efforts to provide safe equipment can be wiped out by a single careless act of an operator.

In addition to the design and configuration of equipment, hazard control and accident prevention are dependent upon the awareness, concern, prudence and proper training of personnel involved in the operation, transport, maintenance and storage of equipment. It is the operator's responsibility to read and understand all safety and operating instructions in the manual and to follow these.

Allow only properly trained personnel to operate the implement. Working with unfamiliar equipment can lead to careless injuries. Read this manual, and the manual for your tractor, before assembly or operating, to acquaint yourself with the machines. It is the owner's responsibility, if this machine is used by any person other than yourself, is loaned or rented, to make certain that the operator, prior to operating, reads and understands the operator's manuals and is instructed in safe and proper use.

### 2.01 - Preparation



1. Before operating equipment read and understand the operator's manual and the safety signs (**see fig. 3**).
2. Thoroughly inspect the implement before initial operation to assure that all packaging materials, i.e., wires, bands, and tape have been removed.
3. Personal protection equipment including hard hat, safety glasses, hearing protection, safety shoes, and gloves are recommended during assembly, installation, operation, adjustment, maintaining and/or repairing the implement.
4. Operate the implement only with a tractor equipped with an approved Roll-Over-Protective-System (ROPS). Always wear your seat belt. Serious injury or even death could result from falling off the tractor.
5. Clear area to be cut of stones, branches or other debris that might be thrown, causing injury or damage.
6. Before beginning operation, contact local utility companies to make certain there are no bundled gas lines, electrical cables, etc., in the work area.
7. Operate only in daylight or good artificial light.
8. Ensure implement is properly mounted, adjusted and in good operating condition.
9. Ensure that all safety decals are properly installed and in good condition.

## 2.02 - Starting and Stopping



1. Be sure that no one is near the machine prior to engaging or while the machine is working.
2. Be sure the tractor is in "Neutral" before starting engine.
3. Equipment operating power is ground driven. Know how to stop the tractor quickly in case of an emergency.
4. After striking an obstacle, shut the tractor off, remove key and thoroughly inspect for damage before restarting.

## 2.03 - Messages and Signs

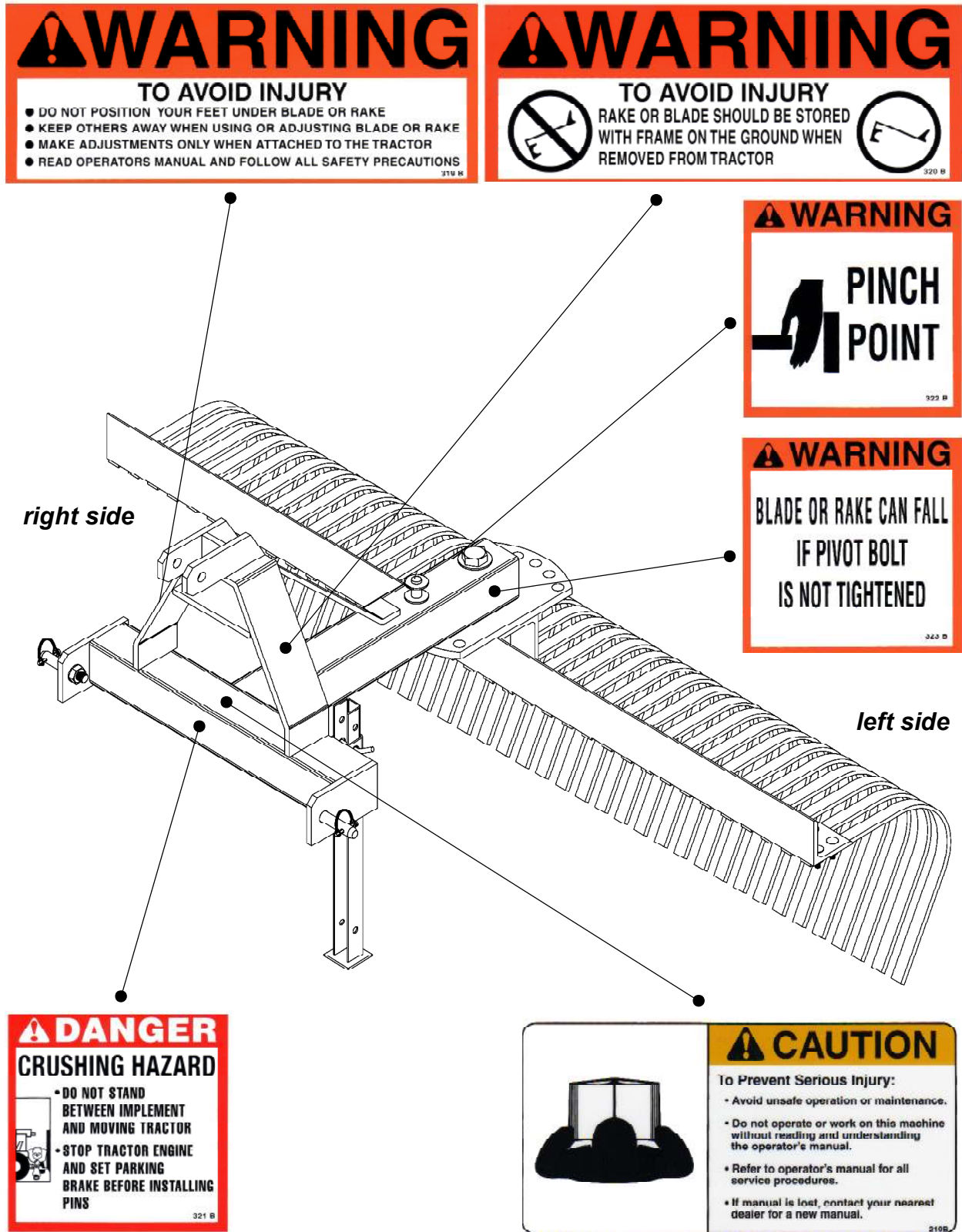


1. Read and adhere to all safety and operating decals on this machine (**see fig. 3**).
2. Before dismounting tractor: allow moving parts to stop, stop engine, set brake and remove the key of unattended equipment.
3. Keep safety decals in place and in good condition.
4. Do not use with bystanders in area.
5. Allow no riders on tractor or implement.
6. Allow moving parts to stop before repair.
7. Securely support implement before working underneath.

Additional warning and operating decals are available at no extra charge. Please specify model and serial number when ordering.



Fig. 3 - Safety decals ; replace immediately if damaged.



## 3 - OPERATION

You have purchased a landscape rake designed especially for final soil surface preparation. It is perfect for leveling and spreading topsoil, gravel and cinders and for removing stones or trash. It is an ideal machine for hobby farmers and landscapers.

The subcompact series, available in 48" and 60" (BLR-C48 & BLR-C60), are specifically designed for subcompact and compact tractors with HP ranging from 16 to 30 and category 1 three point hitch or category 1 Quick Hitch. These compact yet durable rakes feature 5/16"x1" one hole spring steel tines and offer 6 angling and reversing capabilities (3 forward and 3 reverse positions) .

The standard duty series are available in 72", 84 and 96" (BLR-072, BLR-084 & BLR-096) for mounting to tractors from 16 to 65 HP and category 1 three point hitch or category 1 Quick Hitch. These rakes feature a reinforced tine beam designed for tough conditions, 5/16"x1" two hole spring steel tines and offer 10 angling and reversing capabilities (5 forward and 5 reverse positions) .

Optional gauge wheels for easy height adjustment and a consistent finish even on rolling grounds are available for both series.

### 3.01 - Operational Safety



**CAUTION:** Our landscape rakes are designed considering safety as the most important aspect and are the safest available in today's market. Unfortunately, human carelessness can override the safety features built into our machines. Injury prevention and work safety, aside from the features on our landscape rakes, are very much due to the responsible use of the equipment. It must always be operated prudently following with great care, the safety instructions laid out in this manual.



1. The use of this equipment is subject to certain hazards which cannot be prevented by mechanical means or product design. All operators of this equipment must read and understand this entire manual, paying particular attention to safety and operating instructions, prior to using.
2. Do not operate the tractor and implement when you are tired, sick or when using medication.
3. Keep all helpers and bystanders at least several yards from the implement. Only properly trained people should operate this machine.
4. Accidents are most likely to occur with machines that are loaned or rented to someone who has not read the operator's manual and is not familiar with the implement.

5. Always stop the tractor, set brake, shut off the tractor engine, remove the ignition key, lower implement to the ground before dismounting tractor. Never leave equipment unattended with the tractor running.
6. Never place hands or feet under implement with tractor engine running or before you are sure all motion has stopped. Stay clear of all moving parts.
7. Do not reach or place yourself under equipment until it is blocked securely.
8. Do not allow riders on the implement or tractor at any time. There is no safe place for riders.
9. Before backing up, look behind carefully.
10. Never operate tractor and implement under trees with low hanging limbs. Operators can be knocked off the tractor and then run over by the implement.
11. The parts of this machine have been designed and tested for rugged use. However, they could fail upon impact with heavy, solid objects such as steel guard rails and concrete abutments. Such impact could cause the broken objects to be thrown outward at very high velocities. To reduce the possibility of property damage, serious injury, or even death, never allow the machine to contact such obstacles.
12. Frequently check rake tines. They should be free of nicks and cracks and securely fastened.
13. Stop implement immediately upon striking an obstruction. Turn engine off, remove key, inspect and repair any damage before resuming operation.
14. Stay alert for holes, rocks and roots in the terrain and other hidden hazards. Keep away from drop-offs.
15. Use extreme care and maintain minimum ground speed when transporting on hillside, over rough ground and when operating close to ditches or fences. Be careful when turning sharp corners.
16. Before beginning operation, contact local utility companies to make certain there are no bundled gas lines, electrical cables, etc., in the work area.
17. Reduce speed on slopes and sharp turns to minimize tipping or loss of control. Be careful when changing directions on slopes. Do not start or stop suddenly on slopes. Avoid operation on steep slopes.
18. When using a unit, a minimum 20% of tractor and equipment weight must be on tractor front wheels. Without this weight, tractor could tip over, causing personal injury or death. The weight may be attained with a front end loader, front wheel weights, ballast in tires or front tractor weights. When attaining a minimum 20% of tractor and equipment weight on the front wheels, you must not exceed the ROPS weight certification. Weigh the tractor and equipment. Do not guess or estimate!
19. Inspect the entire machine periodically<sup>3</sup>. Look for loose fasteners, worn or broken parts, and leaky or loose fittings.
20. Pass diagonally through sharp dips and avoid sharp drops to prevent "hanging up" tractor and implement.
21. Avoid sudden starts and stops while traveling up or downhill.
22. Always cut down slopes; never across the face. Avoid operation on steep slopes. Slow down on sharp turns and slopes to prevent tipping and/or loss of control.
23. Comply with all federal, state and local laws during transport on roads.
24. Before parking the machine, lower the foot stand and secure it with the lock pins.

---

<sup>3</sup> See Chapter 4 - Maintenance.

## 3.02 - Setup

**Notice to dealer:** Pre-delivery setup and service including lubrication is the responsibility of the authorized dealer. It is up to him to assure that the machine is in perfect condition and ready to be used. It is his responsibility to ensure that the customer is aware of all safety aspects and operational procedures for the implement. He must also fill out the Pre-Delivery Checklist<sup>4</sup> prior to delivering the implement.

## 3.03 - Pre-Operational Check

**IMPORTANT:** Check each of the following, carefully, prior to engaging the equipment:

1. No wrappings or foreign objects are around the implement.
2. The tines are properly installed and the bolts properly torqued <sup>5</sup>.
3. All hardware is tight.
4. No people or animals are in the work area.



**WARNING:** Ensure pivot bolt is properly tightened to the welded nut on rake beam and that swivel pin is secured in place with "R" clip. Rake can fall if pivot bolt and swivel pin are not securely installed.

## 3.04 - Attaching to the Tractor

Model BLR-C48 and BLR-C60 may be used on tractors with up to 30 HP and a category 1 three point hitch or a category 1 Quick Hitch. Models BLR-072, BLR-084 and BLR-096 may be used on tractors up to 65 HP and a category 1 three point hitch or a category 1 Quick Hitch.



**DANGER:** Never allow anyone to stand between the landscape rake and tractor during hookup operations.

To attach the landscape rake to the tractor proceed as follows:

1. Back up the tractor to the landscape rake until the draft links align with the lower hitch pins.
2. Stop engine, engage parking brakes and remove key before dismounting tractor.
3. Secure the draft links to the hitch pins and secure them in place with cotter pins.
4. Raise foot stand all the way up and secure with lynch pin.
5. Attach top link to the top hitch of the landscape rake using a top link pin.
6. Adjust the tractor sway chains/bars to center the landscape rake behind the tractor and control the side sway.
7. Ensure rake is level by adjusting draft links and top link.

---

<sup>4</sup> See Chapter 7 - Pre-Delivery Checklist.

<sup>5</sup> See Table 1, page 19.

8. Slowly operate tractor controls up and down to ensure that the drawbar, tires and other equipment on the tractor does not touch the rake frame and tines. If necessary adjust or remove tractor drawbar to eliminate interference with rake. Ensure rake is at least 6" from tractor tires throughout the complete range of three point movement.



**DANGER:** Never attempt to attach the implement to the tractor or make any adjustments to it without first turning the tractor off.



**DANGER:** Failure to ensure a secure coupling of the implement to the tractor can cause injury and damage to the implement or tractor.

### 3.05 - Start Up



**DANGER:** Never allow anyone around the implement when it is in operation.



**CAUTION:** For emergency reasons, learn how to stop the tractor and implement quickly.

Before starting to work, never forget that the **operator is responsible** for the following:

1. Safe and correct driving of the tractor and implement.
2. To learn precise safe operating procedures for both the tractor and the implement.
3. To ensure all maintenance and lubrication has been performed on the implement.
4. To have read and understood all safety aspects for the implement in the operator's manual.
5. To have read and understood all safety decals on the implement.
6. To have contacted the local utility companies to make certain there are no bundled gas lines, electrical cables, etc., in the work area.
7. Checking the overall condition of the machine.
8. Checking to see if front weights need to be added to the tractor in order to maintain balance.
9. Checking the tractor tires for the proper pressure in accordance with the tractor operator's manual.
10. Making sure the proper attire is worn. Avoiding loose fitting clothing which can become entangled. Wearing sturdy, tough-soled work shoes and protective equipment for eyes, hands, ears and head. Never operate tractor or implements in bare feet, sandals or sneakers.
11. Checking area for stones, branches and other debris that might be thrown.
12. Ensuring proper lighting is available, sunlight or good artificial lighting.

### 3.06 - Working Speed

Ground speed is determined by the soil condition and tractor power. Simple experimentation will determine the best speed for the desired results, usually 2 to 5 mph.

### 3.07 - Operating Techniques

#### Top link adjustment:

The landscape rake level can be adjusted by adjusting the tractor's top link. Lengthening the top link will allow the rake to contact the ground at a sharper pitch and will result in a more aggressive action.

#### Draft links adjustment:

The tilt of the rake, so that one end is lower than the other, can be adjusted by adjusting the tractor's three point arms.

#### Reversing or angling adjustments:

The landscape rake may be rotated 360 degrees with a total of 10 settings (5 forward and 5 reverse) on the standard duty version (BLR-048, 060, 072, 084, and 096) and 6 settings (3 forward and 3 reverse) on the subcompact version (BLR-C48 and C60).

For most tractors rake can be rotated without unhooking from the tractor. Wider models may require disassembly of pivot bolt to reverse the rake.

To angle or reverse the rake proceed as follows:

1. Lift implement from the ground.
2. Loosen pivot bolt if necessary (see #1, fig. 2).
3. Remove "R" clip and pull out swivel pin (see #2, fig. 2).
4. Set rake at desired angle and replace swivel pin and "R" clip.
5. Re-tighten pivot bolt before resuming operation.

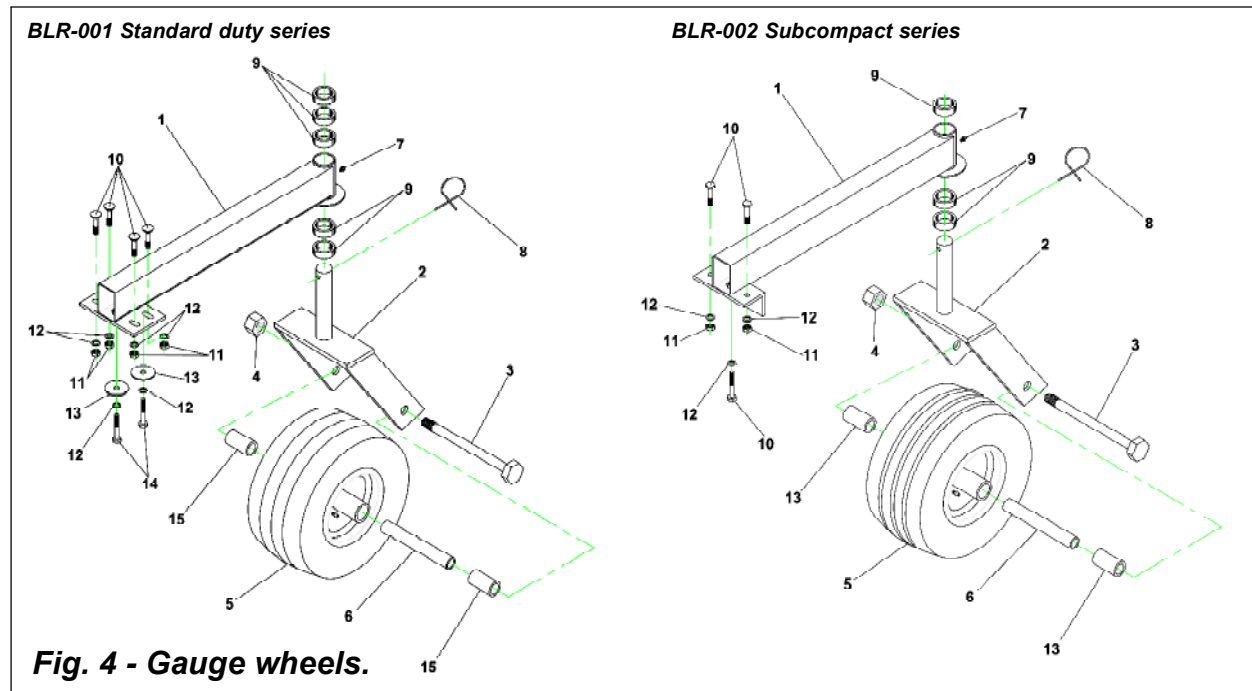
**Note:** The rake may be used for backfilling only in light applications.



**CAUTION:** Depending on the size of the tractor, you may not be able to tilt the BLR-084 or the BLR-096 and still be able to raise it high enough to clear the ground during transport.

### 3.08 - Optional Gauge Wheels

The optional gauge wheels for easy height adjustment will enable a consistent finish even on rolling grounds.



To install the gauge wheels proceed as follows:

1. Raise rake off the ground.
2. Stop engine, engage parking brakes and remove key before dismounting tractor.
3. Remove 6 carriage bolts per side on the standard duty version (or 3 carriage bolts per side on the subcompact version) that attach the tines to the frame of the rake.
4. Attach wheel arm (**see #1, fig. 4**) on top of rake tine frame and install 4 carriage bolts (3/8"x1.5") on the standard duty version (or 2 hex bolts 3/8"x1.5" (on the subcompact version) in place of the ones that were removed (**see #10, fig. 4**).
5. From the underside of the wheel arms screw 2 bolts (3/8"x2") on the standard duty version (**see #14, fig. 4**) (or 1 bolt (3/8"x1.5") on the subcompact version (**see #10, fig. 4**)) on the nuts welded inside the wheel arms.
6. Remove lynch pin (**see #8, fig. 4**) from wheel yoke and set adjustment spacers (**see #9, fig. 4**) at desired height of operation. Spacers can be added or removed above or below the wheel arm to adjust height.
7. Replace lynch pin through wheel yoke.

**IMPORTANT:** Every 8 hours of operation, grease wheel yokes and wheel hubs.

### 3.09 - Uneven Terrain



**DANGER:** Be careful of rollover when operating tractor and implement over uneven ground.

The following precautions should always be observed when working on uneven terrain:

1. In extremely uneven terrain rear wheel weights, front tractor weights, and/or tire ballast should be used to improve stability.
2. Observe the type of terrain and develop a safe working pattern.
3. Operate the implement up and down steep slopes, not across slopes, to prevent the tractor from tipping. Avoid sudden stops and starts, and slow down before changing directions on a slope.
4. Pass diagonally through sharp dips and avoid sharp drops to prevent hanging up the tractor and implement.
5. Slow down on sharp turns and slopes to prevent tipping or loss of control.
6. Watch for holes, roots or other hidden objects. Do not use near the edge of a gully, ditch or stream bank.

### 3.10 - Transport



**CAUTION: Do not tow tractor and implement behind other vehicles. Use a properly equipped trailer with heavy tie-downs for towing operations.**

Before transporting:

1. Always select a safe ground speed that is appropriate for the terrain.
2. Beware of traffic on public roads. Install a SMV (Slow Moving Vehicle) sign when travelling on roads or streets. Comply with all federal, state and local laws.
3. Reduce ground speed when turning and take care that the implement does not strike obstacles such as trees, fences or buildings.



## 4 - MAINTENANCE



**DANGER: Stop engine, lock parking brake and remove key before performing any service or maintenance.**

**Never rely on the tractor lift system. Install blocks or stands under the implement to prevent it from falling.**

**Always use personal protection devices, such as glasses or gloves when performing maintenance.**

**Keep fingers out of slots to prevent injury.**

### 4.01 - Maintenance Safety



1. Good maintenance is your responsibility.
2. Keep service area clean and dry. Be sure electrical outlets and tools are properly grounded. Use adequate light for the job at hand.
3. Make sure there is plenty of ventilation. Never operate the engine of the towing vehicle in a closed building. The exhaust fumes may cause asphyxiation.
4. Make no repair or adjustments with the tractor engine running. Before working on the machine, shut off the engine, set the brakes, and remove the ignition key.
5. Be certain all moving parts have come to a complete stop before attempting to perform maintenance.
6. Never work under equipment unless it is blocked securely.
7. Always use personal protection devices such as eye, hand and hearing protectors, when performing any service or maintenance.
8. Frequently check tines. They should be free of nicks and cracks and securely fastened.
9. Periodically tighten all bolts, nuts and screws and check that all cotter pins are properly installed to ensure unit is in a safe condition.
10. After servicing, be sure all tools, parts and service equipment are removed.
11. Never replace hex bolts with less than grade five bolts unless otherwise specified, i.e. shear bolts<sup>6</sup>.
12. Where replacement parts are necessary for periodic maintenance and servicing, genuine replacement parts must be used to restore your equipment to original specifications. The company will not claim responsibility for use of unapproved parts and/or accessories and other damages as a result of their use.

---

<sup>6</sup> Refer to Table 1 - Torque Specifications, page 19.

13. Unauthorized modifications to the machine may impair the function and/or safety of the machine and reduce its life. If equipment has been altered in any way from original design, the manufacturer does not accept any liability for injury or warranty.

## 4.02 - Service

### Hourly or whenever an obstacle is hit:

1. Check machine condition, particularly the shanks and cutting blades.
2. Replace any damaged or worn shank, shank tip or blade.
3. Remove any wrapping (stalks, weeds, trash, etc.) from implement.

### Every 8 hours:

Grease wheel yokes and wheel hubs on optional gauge wheels.







### Every 25 hours:

Check hardware tightness: vibration can loosen bolts<sup>7</sup>.

---

<sup>7</sup> See Table 1, page 19.

**TABLE 1 - TORQUE SPECIFICATIONS**

Metric (ISO) treaded bolts head marking							Inch (SAE) treaded bolts head marking								
	Class 5.8		Class 8.8		Class 10.9			Grade 2		Grade 5		Grade 8			
Bolt size mm	Thread mm	N.m	ft-lb	N.m	ft-lb	N.m	ft-lb	Bolt size inch	Thread inchi tpi	N.m	ft-lb	N.m	ft-lb	N.m	ft-lb
M5	0.8	4	3	6	4	9	7	1/4"	20	7	5	11	8	16	12
M6	1	6	4	10	7	15	11	1/4"	28	8	6	13	10	19	14
M8	1.25	16	12	25	18	36	27	5/16"	18	15	11	24	17	33	25
M8	1	17	13	26	19	38	28	5/16"	24	17	13	26	19	37	27
M10	1.5	31	23	48	35	71	52	3/8"	16	27	20	42	31	59	44
M10	1.25	33	24	51	38	75	55	3/8"	24	31	23	47	35	67	49
M10	1	35	26	53	39	78	58	7/16"	14	43	32	67	49	95	70
M12	1.75	54	40	84	62	123	91	7/16"	20	48	36	75	55	106	78
M12	1.5	56	41	87	64	128	94	1/2"	13	66	48	102	75	144	106
M12	1.25	59	44	90	66	133	98	1/2"	20	75	55	115	85	163	120
M14	2	84	62	133	98	195	144	9/16"	12	95	70	147	109	208	154
M14	1.5	94	69	142	105	209	154	9/16"	18	106	79	164	121	232	171
M16	2	131	97	206	152	302	223	5/8"	11	132	97	203	150	287	212
M16	1.5	141	104	218	161	320	236	5/8"	18	149	110	230	170	325	240
M18	2.5	181	133	295	218	421	310	3/4"	10	233	172	361	266	509	376
M18	2	196	145	311	229	443	327	3/4"	16	261	192	403	297	569	420
M18	1.5	203	150	327	241	465	343	7/8"	9	226	167	582	430	822	606
M20	2.5	256	189	415	306	592	437	7/8"	14	249	184	642	473	906	668
M20	1.5	288	212	454	335	646	476	1"	8	339	250	873	644	1232	909
M22	2.5	344	254	567	418	807	595	1"	12	371	273	955	704	1348	995
M22	1.5	381	281	613	452	873	644	1-1/8"	7	480	354	1077	794	1746	1288
M24	3	444	327	714	526	1017	750	1-1/8"	12	539	397	1208	891	1958	1445
M24	2	488	360	769	567	1095	808	1-1/4"	7	677	500	1519	1120	2463	1817
M27	3	656	484	1050	774	1496	1103	1-1/4"	12	750	553	1682	1241	2728	2012
M27	2	719	530	1119	825	1594	1176	1-3/8"	6	888	655	1992	1469	3230	2382
M30	3.5	906	668	1420	1047	2033	1499	1-3/8"	12	1011	746	2268	1673	3677	2712
M30	2	1000	738	1600	1180	2250	1659	1-1/2"	6	1179	869	2643	1949	4286	3161
M36	4	1534	1131	2482	1830	3535	2607	1-1/2"	12	1326	978	2974	2194	4823	3557

When using lock washers with nuts, increase torque values by 5%

**TABLE 2 - LANDSCAPE RAKES - TECHNICAL FEATURES**

Subcompact series, for tractors up to 30 HP, 3 point hitch cat. 1			
Model	Working width	Weight lb.	# of Tines
BLR-C48	48"	135	24 (1 hole)
BLR-C60	60"	156	30 (1 hole)

Standard duty series, for tractors up to 65 HP, 3 point hitch cat. 1			
Model	Working width	Weight lb.	# of Tines
BLR-048	48"	197	24 (2 holes)
BLR-060	60"	221	30 (2 holes)
BLR-072	72"	248	36 (2 holes)
BLR-084	84"	274	42 (2 holes)
BLR-096	96"	314	48 (2 holes)

## 5 - REPAIR PROCEDURES



**CAUTION:** All repair procedures must be done by authorized dealerships. It is not recommended that untrained individuals perform any repair work. The following operations are detailed for qualified personnel only. Never work under the implement without properly blocking the unit.

### 5.01 - Rake Tines Replacement

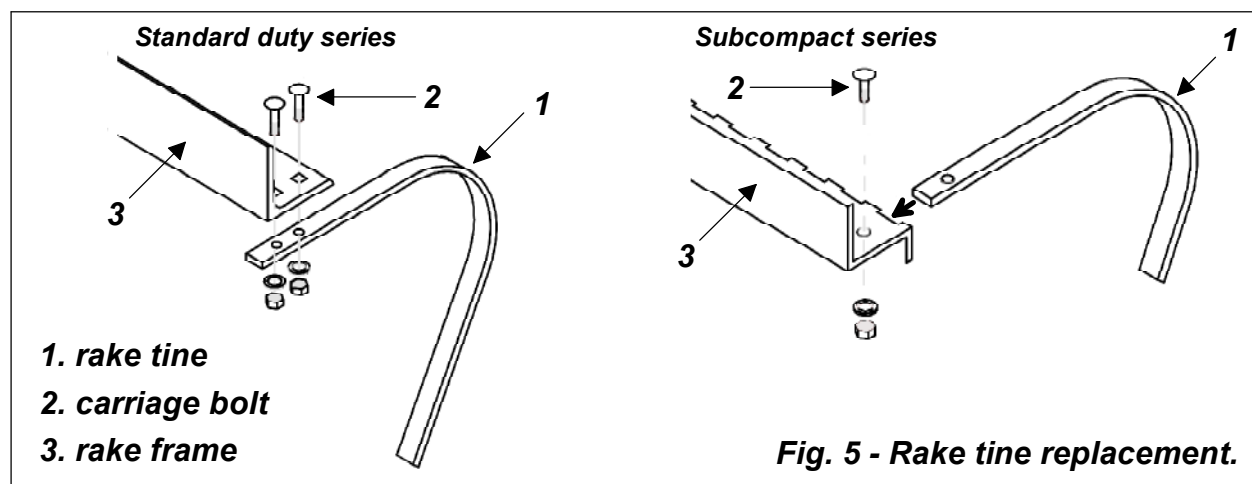


**CAUTION:** Always keep feet away from the tines. It is possible that they could slip and fall causing injury.

Rake tines should be replaced when either damaged or they have lost their original shape.

Tines can be replaced by (see fig. 5):

1. Removing 2 carriage bolts 3/8"-16x1.25" on the standard duty series (1 carriage bolt 3/8"-16x1" on the subcompact series).
2. Installing the replacement tine.
3. Tightening down by using a 3/8" lock washer and a 3/8" hex nut.



### 5.02 - Suggested Spare Parts

It is suggested that the following spare parts be kept on hand for the implement at all times to prevent a minor problem from delaying work.

Description	Quantity
Tines	4
Carriage bolts, nuts & washers	8

### 5.03 - Storage

After seasonal use it is important to perform the following for prolonged storage:

1. Wash the implement carefully.
2. Inspect the implement and replace worn or damaged parts.
3. Tighten all hardware<sup>8</sup>.
4. Grease all areas indicated under Maintenance<sup>9</sup>.
5. Apply a thin layer of grease to rake tines to prevent them from rusting.
6. Cover the implement from the elements in order to have it in perfect condition for the start of the next season.



**WARNING:** Be sure to store the implement on a hard level surface and away from people especially children.

---

<sup>8</sup> See Table 1, page 19.

<sup>9</sup> See Chapter 4 - Maintenance.

## 6 - TROUBLESHOOTING



**WARNING:** Be sure tractor engine is off, parking brake is locked, and key is removed before making any adjustments.

PROBLEM	POSSIBLE CAUSE	SOLUTION
Tines won't penetrate ground surface.	Soil condition is extremely packed.	Lengthen tractor's top link to increase tine penetration.
	Tractor's top link not adjusted properly.	Adjust tractor's top link, see paragraph 3.07 - Operating Techniques.
	Tines may be worn.	Replace tines.

## 7 - PRE-DELIVERY CHECKLIST

**To the dealer: Inspect the machine thoroughly after assembly to assure it is functioning properly before delivering it to the customer. The following checklist is a reminder of points to cover. Check off each item as it is found satisfactory or after proper adjustment is made.**

- Guards and shield properly fastened.
- Lubrication of grease fittings.
- All hardware properly tightened.
- All decals properly located and readable (**see fig. 3**).
- Tines properly installed, bolts and nuts tightened.
- Overall condition (touch up scratches, clean and polish).
- Test run, check for excessive vibration or overheating of bearings.
- Operator's Manual.

**Review the Operator's Manual with the customer. Explain the following:**

- Warranty.
- Safe operation and service.
- Correct machine installation and operation.
- Daily and periodic lubrication, maintenance and inspections.
- Troubleshooting.
- Operational procedures and storage.
- Parts and service.
- Fill out the Pre-Delivery Checklist and Warranty Registration form.
- Give customer the Operator's Manual and encourage the customer to read the manual carefully.

**IMPORTANT: Warranty is not valid unless Pre-Delivery Checklist and Warranty Registration form in Operator's Manual is completed in detail and mailed to the Company.**

Model Number: \_\_\_\_\_

Serial Number: \_\_\_\_\_

Delivery Date: \_\_\_\_\_

Dealer's Signature: \_\_\_\_\_

## 8 - WARRANTY

BEFCO's responsibility will be limited to substitution of the acknowledged defective merchandise to the same place of delivery as the previous one was supplied.

### 1. LIMITED WARRANTY

BEFCO, Inc. herein referred to as the Company, warrants its machines and related accessories, hereafter referred to as the Machine, to be free from defects in material and workmanship, for a period of twelve (12) months from the date of invoice to the first registered owner; this limited warranty does not apply to common wear items and excludes belts, shear pins, oil, grease, tires, tubes, hydraulic hoses, knives and PTO shafts.

Labor will be reimbursed at \$40.00 per hour based on BEFCO's time schedule.

Cost of transport to the servicing dealer is the responsibility of the customer.

Warranty coverage shall not be transferable from the first owner to any subsequent owner.

### 2. DISCLAIMER OF ALL OTHER WARRANTIES AND REMEDIES

Neither the Company nor any company affiliated with the Company makes any warranties, representations or promises, expressed or implied, as to the quality, performance or application of its products other than those set forth herein and does not make any implied warranty of merchantability or fitness.

The only remedies the purchaser has in connection with the breach, or performance of any warranty on the Company's Machine are those set forth herein. In no event will the dealer, the Company, or any company affiliated with the Company, be liable for:

- a. Injuries or damages of any kind or nature, direct, consequential or contingent to person or property.
- b. Any expenses incurred by the owner to repair, replace or rework any allegedly defective item.
- c. Any loss, cost, forfeiture or damages (including loss of profits; loss of crops; loss because of delay in field operations; any expenses or loss incurred for labor, supplies, substitute machine rental; liabilities of the owner to its customers or third persons; and all other consequential damages, losses, liabilities or damages for any other reasons) whether direct or indirect, and whether or not resulting from or contributed to by the default or negligence of the Company, its agents, employees and subcontractors which might be claimed as a result of the use or failure of the equipment delivered.

The Company's liability based on this limited warranty or any other applicable laws shall be limited to replacement or refund of the purchase price of the product.

The limited warranty extended herein gives you specific rights and you may also have other rights which vary from state to state. Neither the dealer nor the Company personnel has the authority to make any representation or to modify the terms and limitations of this warranty in any way.



**Other than the limited warranty extended hereby there is no other expressed warranty in connection with the design, safety or use of any of the Company's products except as to title. All implied warranties are expressly disclaimed pursuant to the terms of this warranty.**

### **3. CUSTOM WORK**

If the Machine is used for commercial purposes such as custom work, the period warranted for the Machine is limited to six (6) months from the date of delivery to the first registered owner and does not cover any labor charges incurred.

### **4. RENTAL**

If the Machine is used for rental purposes the period warranted for the Machine is limited to thirty (30) days from the date of delivery to the first registered owner and does not cover any labor charges incurred.

### **5. REGISTRATION**

In order to qualify for coverage on this limited warranty, the product and name of the original purchaser must be registered with the Company by a completed Machine Pre-Delivery Checklist and Warranty Registration along with a copy of the dealer's invoice to the first registered owner to the Company within fourteen (14) days after the date of delivery to the original purchaser.

### **6. WARRANTY SERVICE**

Warranty Service must be performed by a dealer authorized by BEFCO. If the warranty service requested is approved, the owner shall pay only for labor beyond the rate allowed, for overtime labor, and for any mileage charge for transporting the equipment to and from the dealer's shop. It is assumed that the dealer has the appropriate general and special tools to service the machine. Time required for replacement of knives, oil, grease and to remove excessive dirt from the Machine is not subject to reimbursement by the Company. The owner is required to clean the Machine before presenting it to the dealer for service work. The Machine must be delivered within thirty (30) days after failure date by the owner to the dealer to be eligible for warranty consideration.

### **7. UNAPPROVED SERVICE OR MODIFICATION**

All obligations of the Company under this limited warranty shall be terminated if:

- a. Proper service and operation instructions as outlined in the Operator's Manual and on the instruction sticker on the Machine, are not followed.
- b. The Machine is modified or altered in any way not approved by the Company.
- c. The Company does not receive a copy of the dealers invoice to the first registered owner within fourteen (14) days from the date of delivery.
- d. The Company has not been paid in full, by the dealer, for the Machine.

### **8. ACCIDENTS AND NORMAL MAINTENANCE**

This limited warranty covers defective material and workmanship. It does not cover depreciation or damage caused by normal wear, accidents, improper maintenance, improper protection or improper use. The costs of normal maintenance or repairs for accidents or improper use, and related labor will be borne by the owner.

### **9. REPLACEMENT PARTS**

BEFCO, Inc. warrants replacement parts to be free from defect in material and workmanship for a period of thirty (30) days from the date of delivery to the original purchaser.



# WARRANTY REGISTRATION

**BEFCO, Inc.**  
**P.O. Box 6036**

**Rocky Mount, NC 27802-6036**

**Tel: (252) 977.9920 - Fax: (252) 977.9718**

Dealer	Acct. #	Retail Customer
Street	Country	Street
Town	State    Zip	Town                      State                      Zip
Date of delivery	Invoice #	Phone
Model #	Serial #	
Pre-Delivery Checklist: <input type="checkbox"/> Greased fittings. <input type="checkbox"/> Safety guards in place. <input type="checkbox"/> All hardware tight. <input type="checkbox"/> Bolts torqued correctly. <input type="checkbox"/> Attached unit to tractor.    Yes/No. <input type="checkbox"/> Field adjusted.                      Yes/No. <input type="checkbox"/> Test run.                                      Dry/Infield. <input type="checkbox"/> Safety decals. <input type="checkbox"/> Operator's Manual.		Tractor make: _____ Model: _____; HP _____ Type of operation: Private homeowner, Landscaping, Commercial maintenance, Golf Course, Municipality, Turf Farm, others: _____ _____ Approximate number of acres machine will be used on annually: _____  I hereby acknowledge that: I have received and accepted delivery of the machine described. The equipment was checked thoroughly for loose or missing parts and has been adjusted in accordance with the Pre-Delivery Checklist. I have read and understand the nature and extent of the warranty and understand clearly that there were and are no other representations of warranties either expressed or implied, made by anyone. I have been advised on proper operation, maintenance and lubrication procedure of this equipment. I have been instructed on and do understand the application, limitation and capacities this equipment was designed and recommended for, all as described in the Operator's Manual and literature published by the Company.
The machine described above, had been prepared for delivery according to the Pre-Delivery Checklist and the Customer has been instructed in its care and operation and the condition of warranty.		
Inspected by: _____		
Date: _____		Date: _____
Dealer's Signature: _____		Customer's Signature: _____

**This registration along with a copy of the invoice must be sent to BEFCO, Inc. within 14 days of date of purchase.**

**Sender:**

*Fold here*

---

*Place stamp  
here*

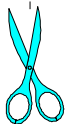
**BEFCO, Inc.**

Warranty Department

P.O. Box 6036

Rocky Mount, NC 27802-6036

*Cut along this line*



# BEFCO®

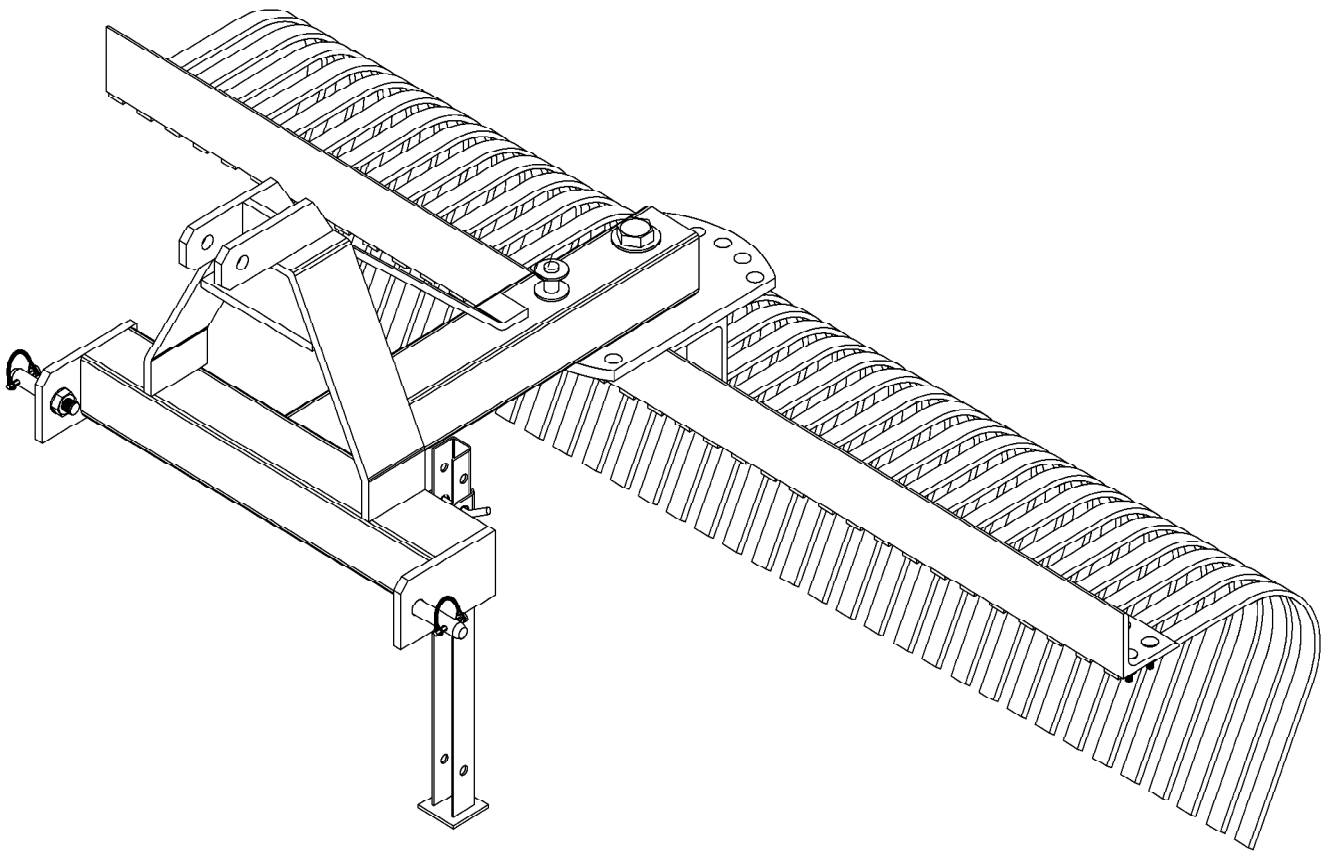
## Parts Manual

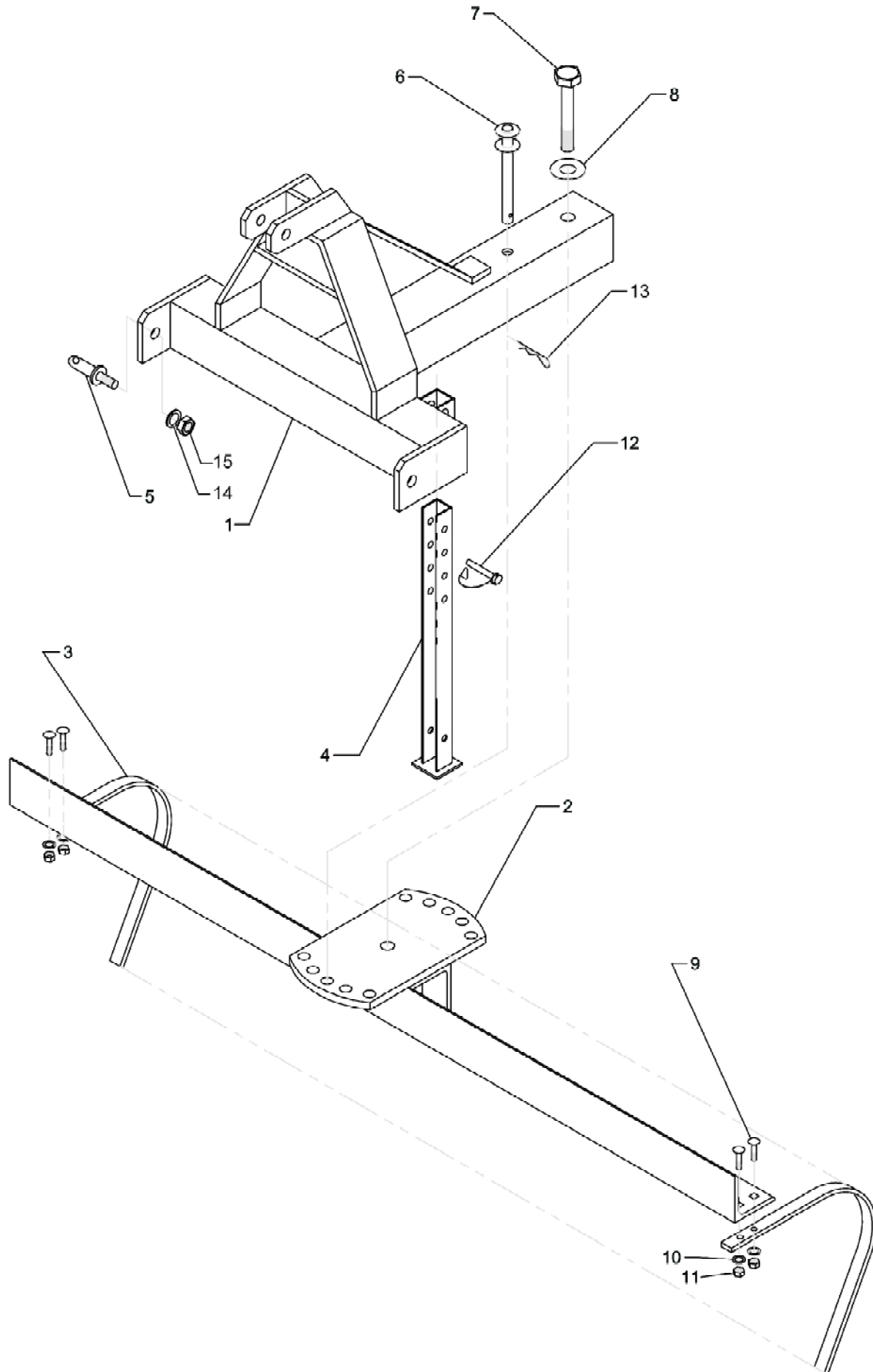
# GROUND ENGAGE EQUIPMENT

Landscape Rakes

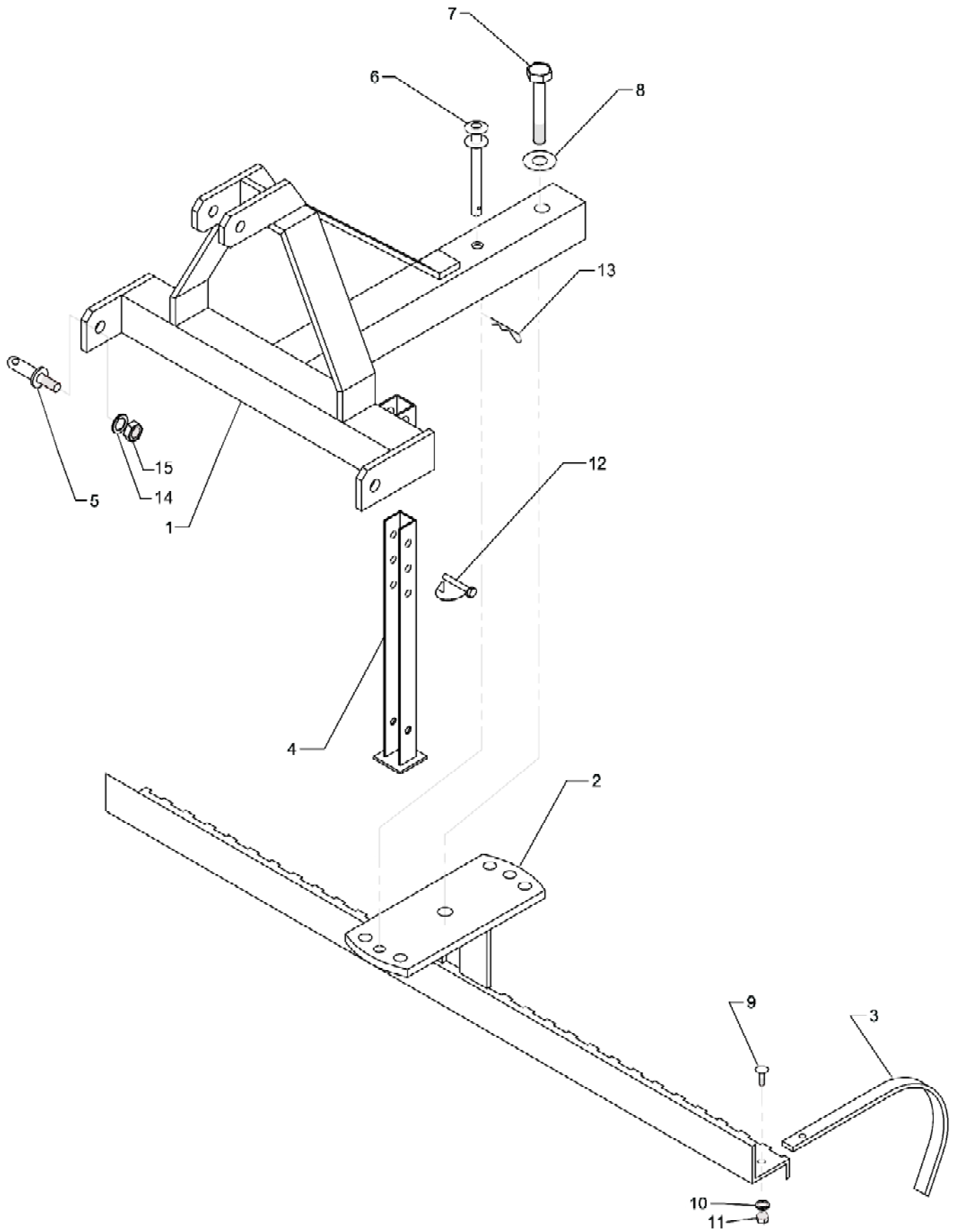
**BLR-C48, BLR-C60**

**BLR-048, BLR-060, BLR-072, BLR-084, BLR-096**



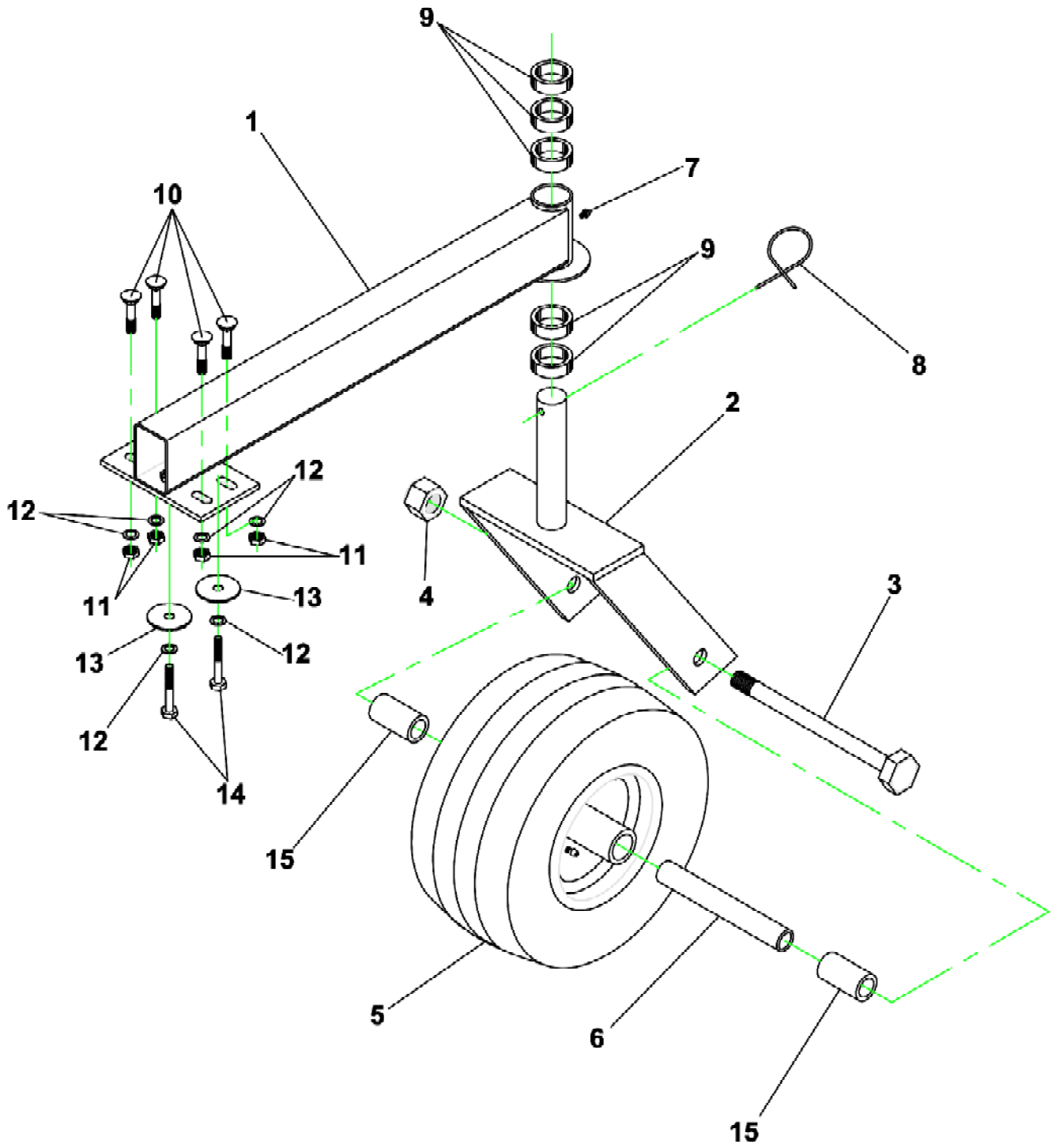


Ref.	Part #	Description	Qty.
1	006-9500	A-Frame (BLR-048, 060, 072, 084, 096)	1
2	046-9601	Welded swivel (BLR-048)	1
	006-9601	Welded swivel (BLR-060)	1
	016-9601	Welded swivel (BLR-072)	1
	026-9601	Welded swivel (BLR-084)	1
	036-9601	Welded swivel (BLR-096)	1
3	006-9602	Rake tine with 2 holes (BLR-048, 060, 072, 084, 096)	-
4	006-9608	Foot stand	1
5	943-008B	Hitch pin 7/8"	2
6	006-9616	Swivel pin 3/4"x6" (BLR-048, 060, 072, 084, 096)	1
7	006-9604	Hex bolt 1"x6" (BLR-048, 060, 072, 084, 096)	1
8	006-9513	Flat washer 1" (BLR-048, 060, 072, 084, 096)	1
9	006-9603	Carriage bolt 3/8"-16x1.25" (BLR-048, 060, 072, 084, 096)	-
10	006-9629	Lock washer 3/8"	-
11	006-9620	Hex nut 3/8"	-
12	501-684B	Lynch pin	1
13	009-1507	"R" clip Ø4	1
14	502-859B	Lock washer 7/8"	2
15	502-860B	Hex nut 7/8"	2
	950-210B	Decal "CAUTION - Read Operator's Manual"	1
	950-319B	Decal "WARNING - To avoid injury"	1
	950-320B	Decal "WARNING - To avoid injury, storage"	1
	950-321B	Decal "DANGER - Crushing hazard"	1
	950-322B	Decal "WARNING - Pinch point"	2
	950-323B	Decal "WARNING - Tighten pivot point"	1
	950-106B	Decal "BEFCO" small	2
	950-940B	Decal "Quick Hitch Compatible"	1
	950-812B	Decal "BLR"	1
	950-283B	Decal "048"	1
	950-274B	Decal "060"	1
	950-285B	Decal "072"	1
	950-304B	Decal "084"	1
	950-814B	Decal "096"	1
	950-381B	Decal "BEFCO INC" address	1
	950-358B	Decal "Made in USA"	1
	971-208B	Operator's & Parts Manual BLR-C48, BLR-C60, BLR-048, BLR-060, BLR-072, BLR-084, BLR-096	1

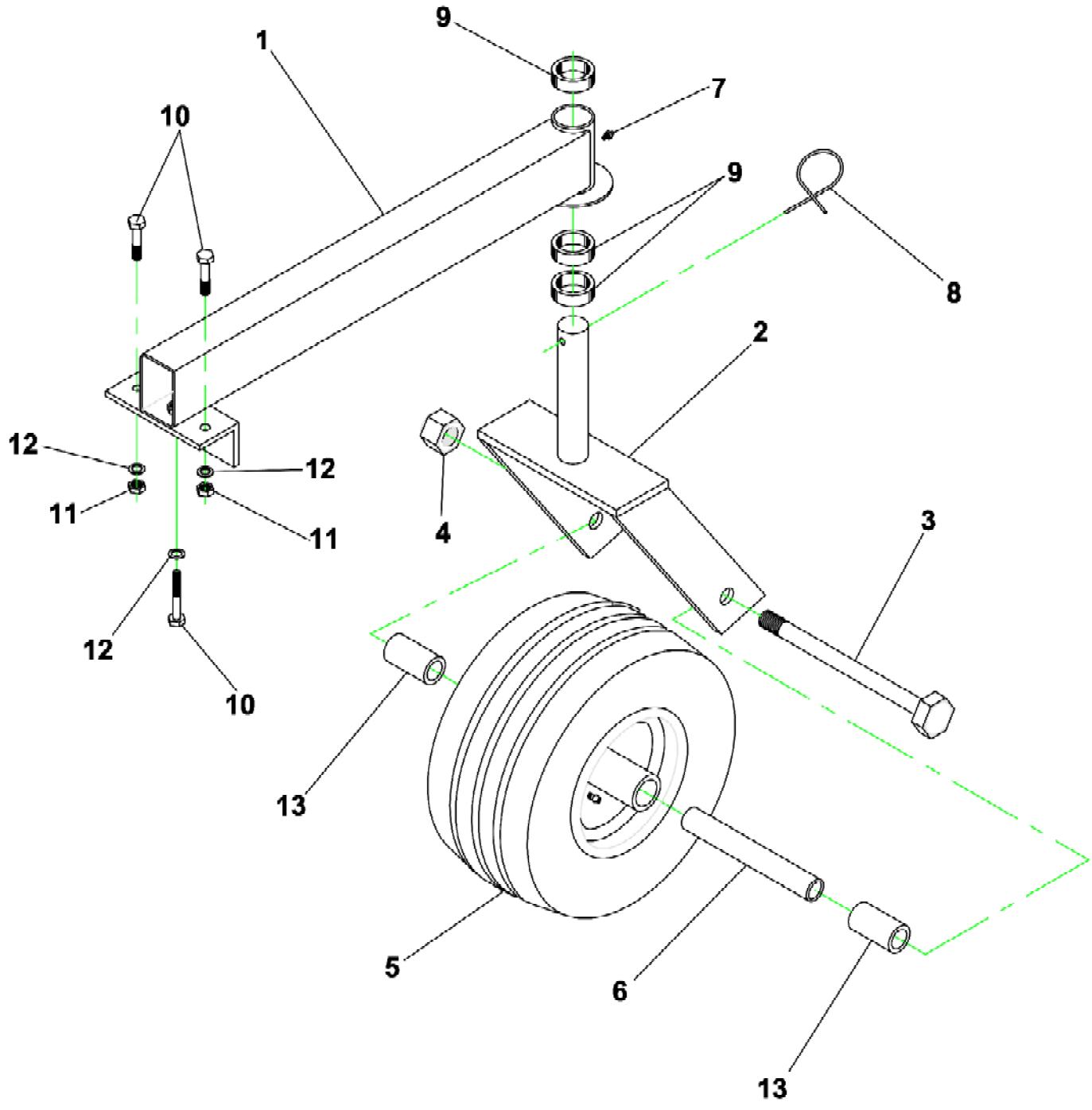




Ref.	Part #	Description	Qty.
1	006-9501	A-Frame subcompact (BLR-C48, C60)	1
2	012-9920	Welded swivel subcompact (BLR-C48)	1
	022-9920	Welded swivel subcompact (BLR-C60)	1
3	503-925B	Rake tine with 1 hole (BLR-C48, C60)	-
4	006-9608	Foot stand	1
5	943-008B	Hitch pin 7/8"	2
6	503-923B	Swivel pin 3/4"x4.5" (BLR-C48, C60)	1
7	503-921B	Hex bolt 3/4"x5" (BLR-C48, C60)	1
8	503-922B	Flat washer 3/4" (BLR-C48, C60)	1
9	503-924B	Carriage bolt 3/8"-16x1" (BLR-C48, C60)	-
10	006-9629	Lock washer 3/8"	-
11	006-9620	Hex nut 3/8"	-
12	501-684B	Lynch pin	1
13	009-1507	"R" clip Ø4	1
14	502-859B	Lock washer 7/8"	2
15	502-860B	Hex nut 7/8"	2
	950-210B	Decal "CAUTION - Read Operator's Manual"	1
	950-319B	Decal "WARNING - To avoid injury"	1
	950-320B	Decal "WARNING - To avoid injury, storage"	1
	950-321B	Decal "DANGER - Crushing hazard"	1
	950-322B	Decal "WARNING - Pinch point"	2
	950-323B	Decal "WARNING - Tighten pivot point"	1
	950-106B	Decal "BEFCO" small	2
	950-940B	Decal "Quick Hitch Compatible"	1
	950-812B	Decal "BLR"	1
	950-950B	Decal "C48"	1
	950-951B	Decal "C60"	1
	950-381B	Decal "BEFCO INC" address	1
	950-358B	Decal "Made in USA"	1
	971-208B	Operator's & Parts Manual BLR-C48, BLR-C60, BLR-048, BLR-060, BLR-072, BLR-084, BLR-096	1



Ref.	Part #	Description	Qty.
1	503-652B	Wheel arm (BLR-048, 060, 072, 084, 096)	2
2	503-653B	Wheel yoke (BLR-048, 060, 072, 084, 096)	2
3	002-3911	Bolt M20x230	2
4	000-5507	Stover nut M20	2
5	006-7402	Wheel assembly (BLR-048, 060, 072, 084, 096)	2
6	006-7412	Wheel inner spacer (BLR-048, 060, 072, 084, 096)	2
7	503-655B	Grease fitting	2
8	000-8783	Lynch pin	2
9	004-4130	Height adjustment spacers 1/2"	10
10	006-9301	Carriage bolt 3/8"-16x1.5"	8
11	006-9620	Hex nut 3/8"-16	8
12	006-9629	Lock washer 3/8"	12
13	503-960B	Fender washer	2
14	502-816B	Bolt 3/8"x2"	4
15	006-7414	Wheel outer spacer	4



<b>Ref.</b>	<b>Part #</b>	<b>Description</b>	<b>Qty.</b>
1	503-951B	Wheel arm (BLR-C48, C60)	2
2	503-952B	Wheel yoke (BLR-C48, C60)	2
3	000-6619	Bolt M14x150	2
4	003-0358	Stover nut M14	2
5	000-6964	Wheel assembly (BLR-C48, C60)	2
6	000-6584	Wheel inner spacer (BLR-C48, C60)	2
7	503-655B	Grease fitting	2
8	000-8783	Lynch pin	2
9	004-4130	Height adjustment spacers 1/2"	6
10	503-959B	Bolt 3/8"x1.5" (BLR-C48, C60)	6
11	006-9620	Hex nut 3/8"-16	4
12	006-9629	Lock washer 3/8"	6
13	000-6972	Wheel outer spacer	4



## **Use only original spare parts**

*All rights reserved. It is unlawful to copy, reprint or use any of the information or details in this manual without the expressed written permission of the Company. Technical information provided in this manual is approximate, the Company reserves the right to modify or improve the models shown for technical or commercial purposes. Pictures in this manual do not necessarily show the machine as delivered.*

---

**BEFCO**<sup>®</sup>

P.O. Box 6036  
Rocky Mount, NC 27802-6036  
Tel.: 252.977.9920 - Fax: 252.977.9718  
[www.befco.com](http://www.befco.com)

