

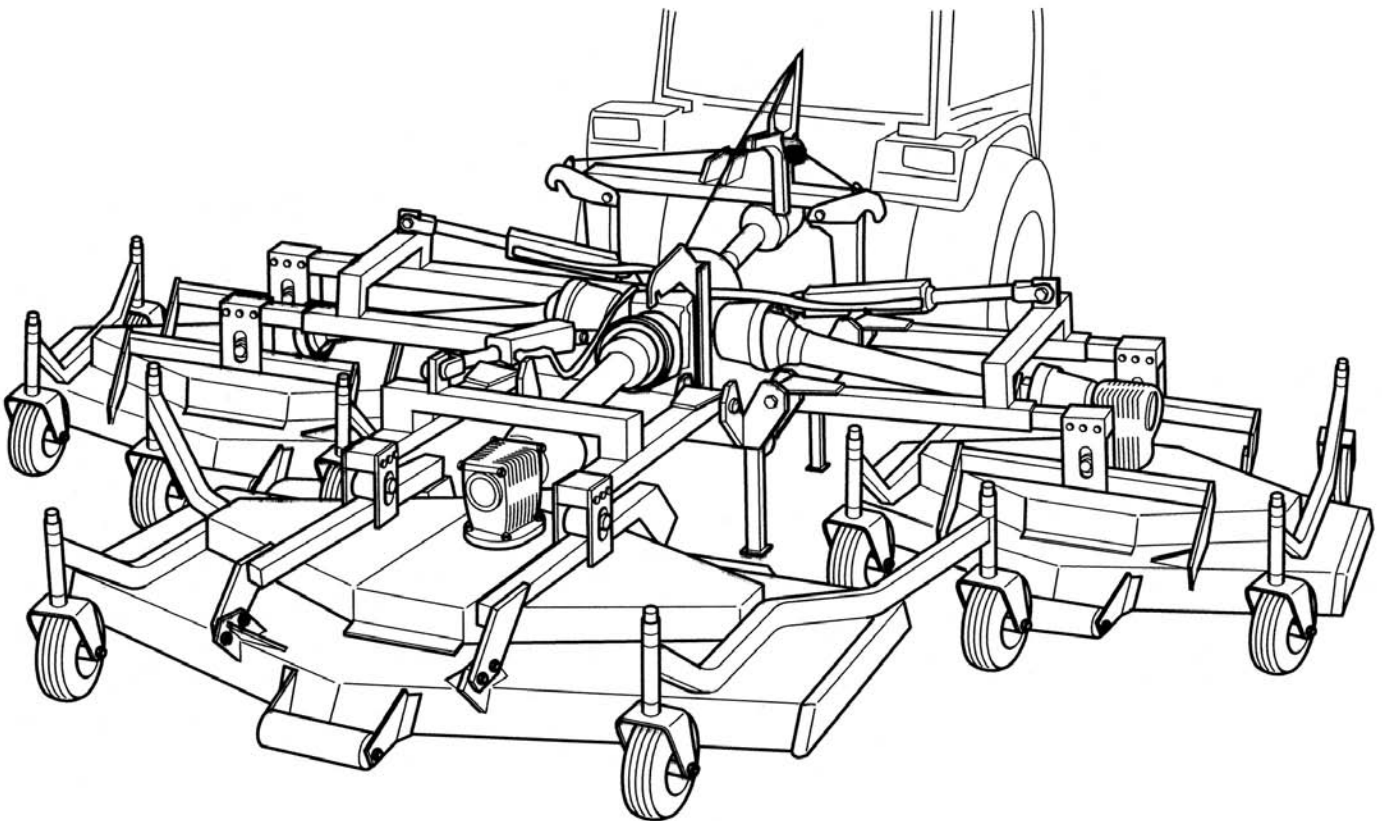
BEFCO®

Parts Manual

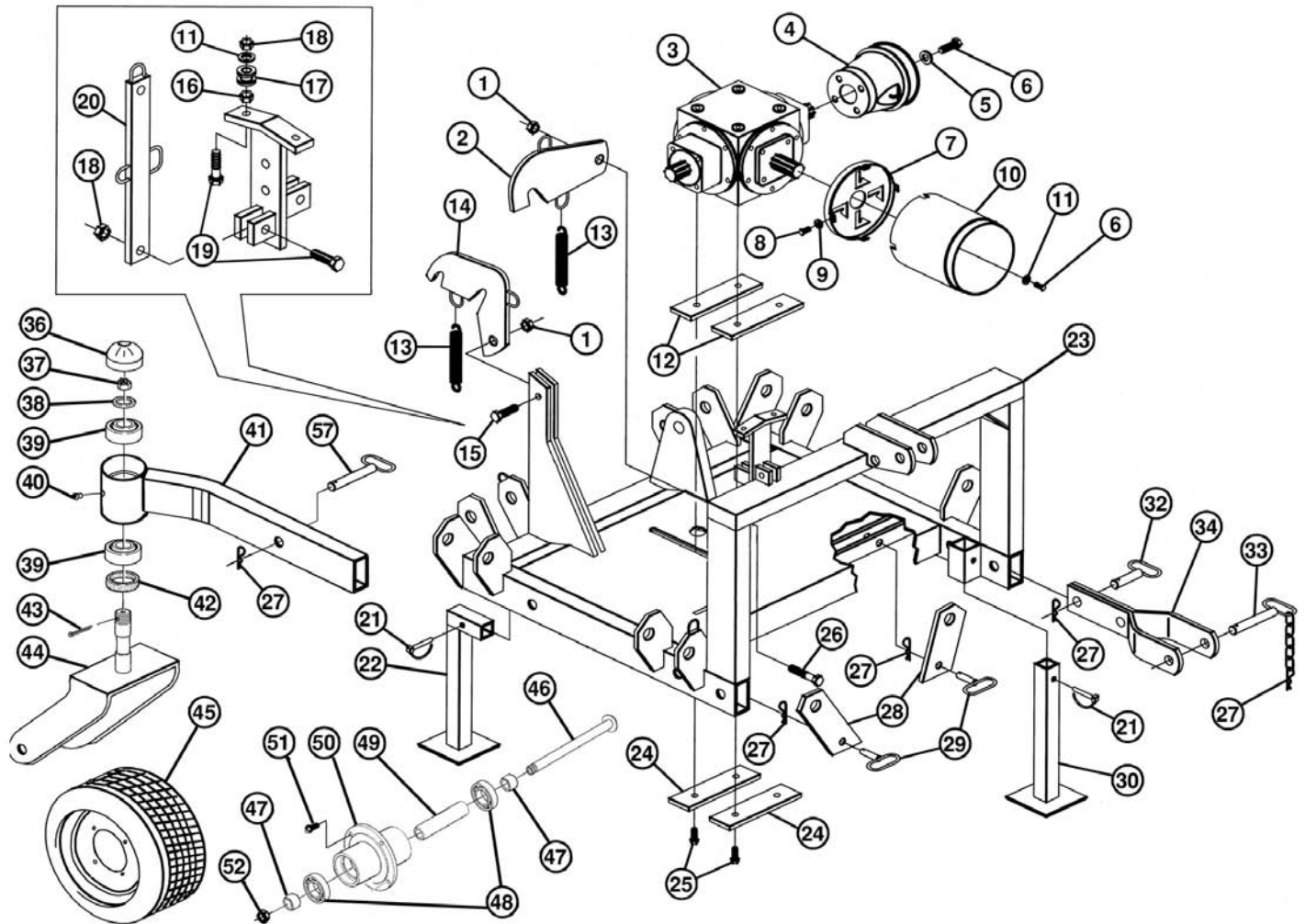
CYCLONE EZ-FLEX

**Three Point Hitch Gang Grooming Mower
Front or Rear Mount**

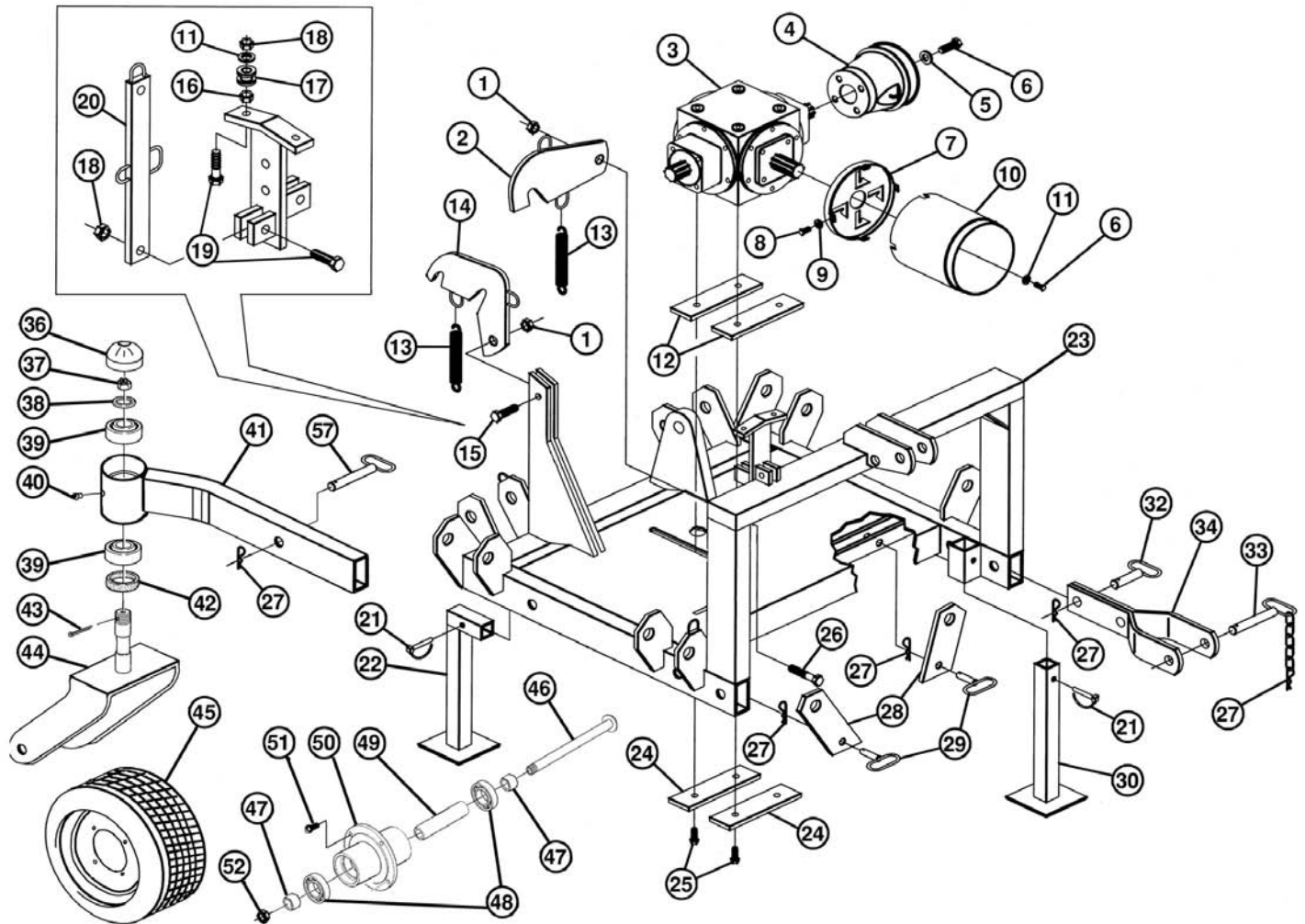
112-EZFA, 115-EZFA



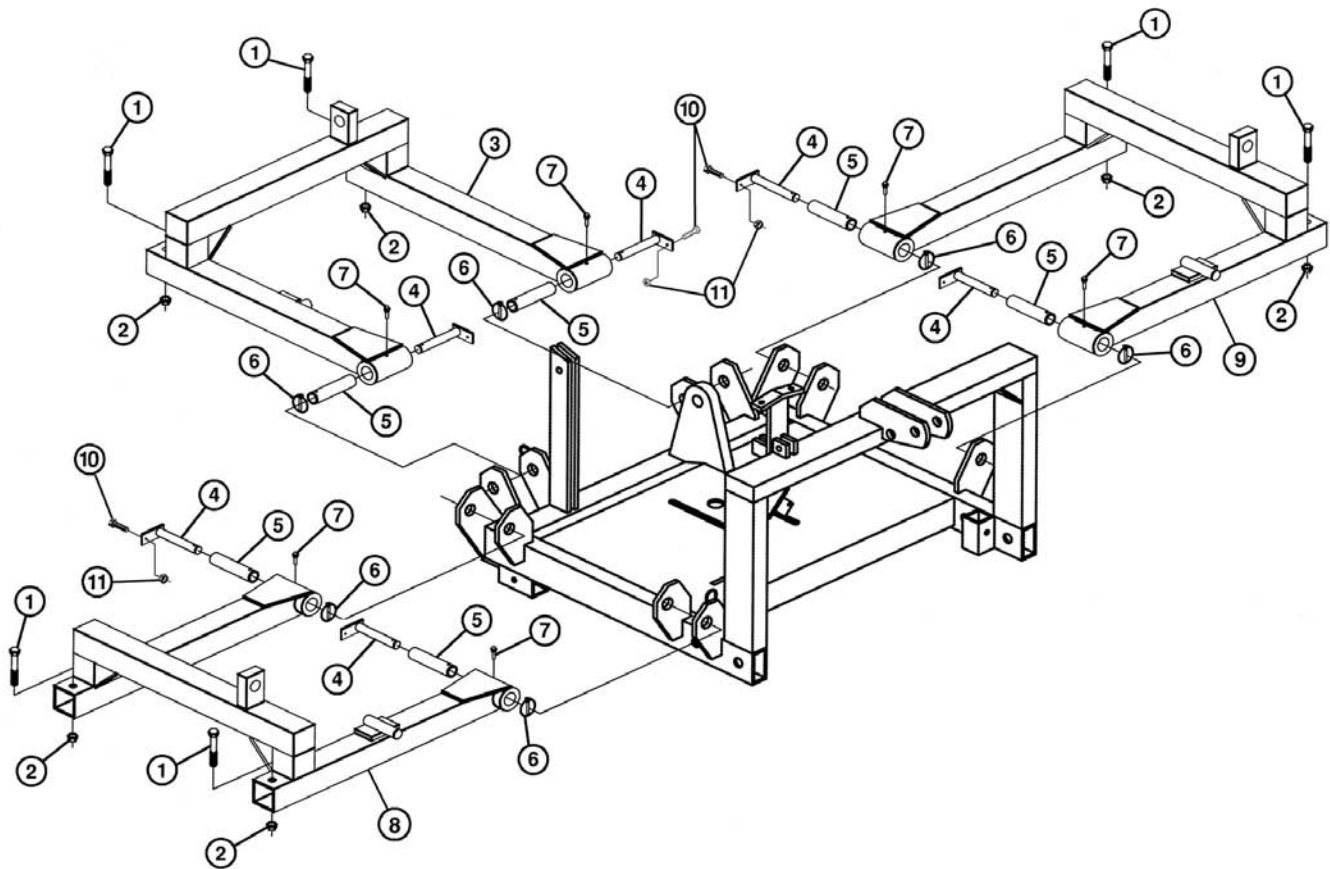
**Manual 971-176B
July 2010**



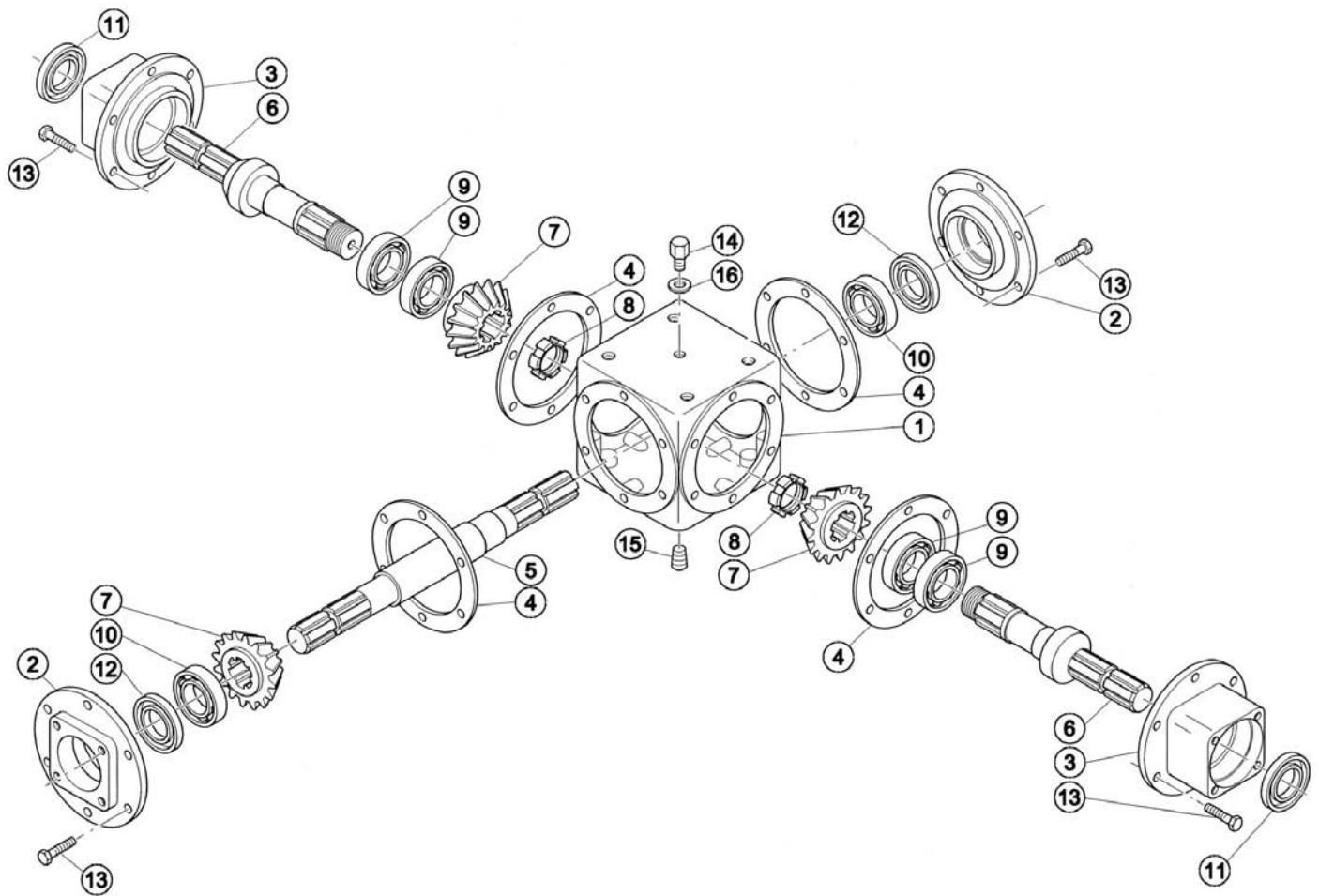
Ref.	Part #	Description	Qty.
1	000-5581	Nut PT M16-2.00 C6 Z TK	3
2	000-9721	Transport hook	2
3	050-0617	Gearbox, complete	1
4	000-8663	Shaft protection	3
5	000-2034	Washer flat Ø10 W	12
6	009-2317	Bolt HH M10-1.50x16 C8.8 Z F	12
7	001-1201	Protection support	1
8	001-1208	Bolt HH M06-1.00x12 C4.6 Z F	4
9	001-1209	Washer fender Ø6 Z	4
10	001-1207	PTO shaft protection	1
11	003-0157	Washer fender Ø10 Z	6
12	008-2256	Gearbox plate, lower	2
13	005-1740	Spring	3
14	008-2219	Transport hook, central	1
15	000-2365	Bolt HH M16-2.00x50 C8.8 Z P	1
16	000-1279	Nut HH M10-1.50 C6 TK Z	2
17	000-9476	Pulley, nylon	2
18	003-0156	Nut PT M10-1.50 C6 TK Z	3
19	003-0331	Bolt HH M10-1.50x50 C8.8 Z F	3
20	008-2202	Handle	1
21	001-1333	Lynch pin Ø10x70	4
22	008-2098	Stand, rear; #263242 & below	2
	018-2106	Stand, rear right; #263243 & above	1
	028-2106	Stand, rear left; #263243 & above	1
23	008-2012	Frame Ez-Flex; #267889 & below	1
	008-2611	Frame Ez-Flex; #267890 & above	1
24	008-2258	Gearbox plate, upper	2
25	002-3265	Bolt HH M12-1.75x40 C8.8 Z F	4
26	009-1038	Bolt HH M16-2.00x50 C8.8 Z F	2
27	009-1507	Hairpin cotter Ø4 Z	10
28	008-2232	Cylinder hitch plate	2
29	000-9201	Pin	2
30	008-2093	Stand, front; #267889 & below	2
	008-2695	Stand, front; #267890 & above	2
32	008-2075	Hitch pin; #267889 & below	2
	000-8501	Hitch pin; #267890 & above	4
33	003-8346	Hitch pin; #267889 & below	2
	008-2681	Hitch pin; #267890 & above	2
34	008-2072	Hitch block; #267889 & below	2
	008-2671	Hitch block; #267890 & above	2
36	008-2530	Hub cap	2
37	000-5573	Nut CA M27-2.00 C5 N TN	2
38	001-4425	Washer flat Ø27 N	2
39	005-8472	Bearing 30206	4
40	000-1065	Grease fitting M10-1.00	2
41	008-3091	Hitch arm	2
42	008-5129	Oil seal 40.62.10	2
43	000-5638	Cotter pin Ø5x50	2
44	008-2532	Wheel yoke	2
45	502-117B	Wheel, complete	2



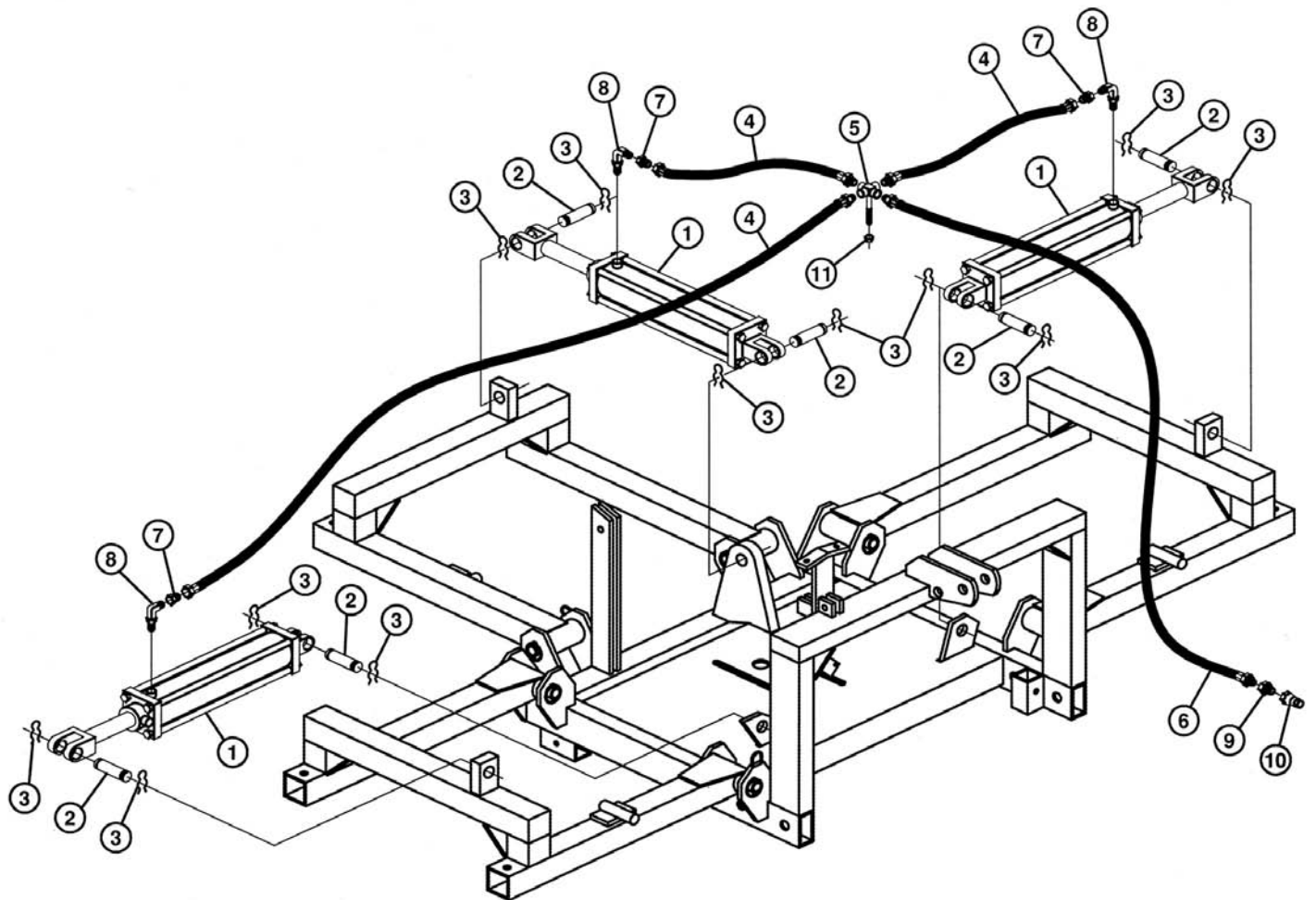
Ref.	Part #	Description	Qty.
46	008-2555	Wheel shaft	2
47	008-2550	Outer spacer	4
48	008-2546	Bearing 6305-2RS	4
49	008-2548	Inner spacer	2
50	008-2541	Wheel hub	2
51	503-486B	Bolt lug 1/2"-20x1.50" G5 Z	8
52	000-6698	Nut SP M25-1.50 Z	2
57	008-3095	Pin	2
	950-109B	Decal "DANGER - Avoid injury from PTO"	4
	950-111B	Decal "CAUTION - To avoid serious injury"	1
	950-818B	Decal "DANGER - Rotating blades; Thrown objects"	6
	950-406B	Decal "WARNING - Falling off"	1
	950-407B	Decal "WARNING - Crushing and pinching hazard"	1
	950-408B	Decal "WARNING - High pressure hydraulic oil leaks"	3
	950-366B	Decal red reflective	6
	950-106B	Decal "BEFCO"	3
	950-298B	Decal "Cyclone"	6
	950-314B	Decal "C28"	3
	950-305B	Decal "EZ4"	1
	950-306B	Decal "EZ5"	1
	950-310B	Decal "EZ6"	1
	950-381B	Decal "BEFCO Inc." address	1
	971-175B	Operator's Manual "Cyclone Ez-Flex"	1
	971-176B	Parts Manual "Cyclone Ez-Flex"	1



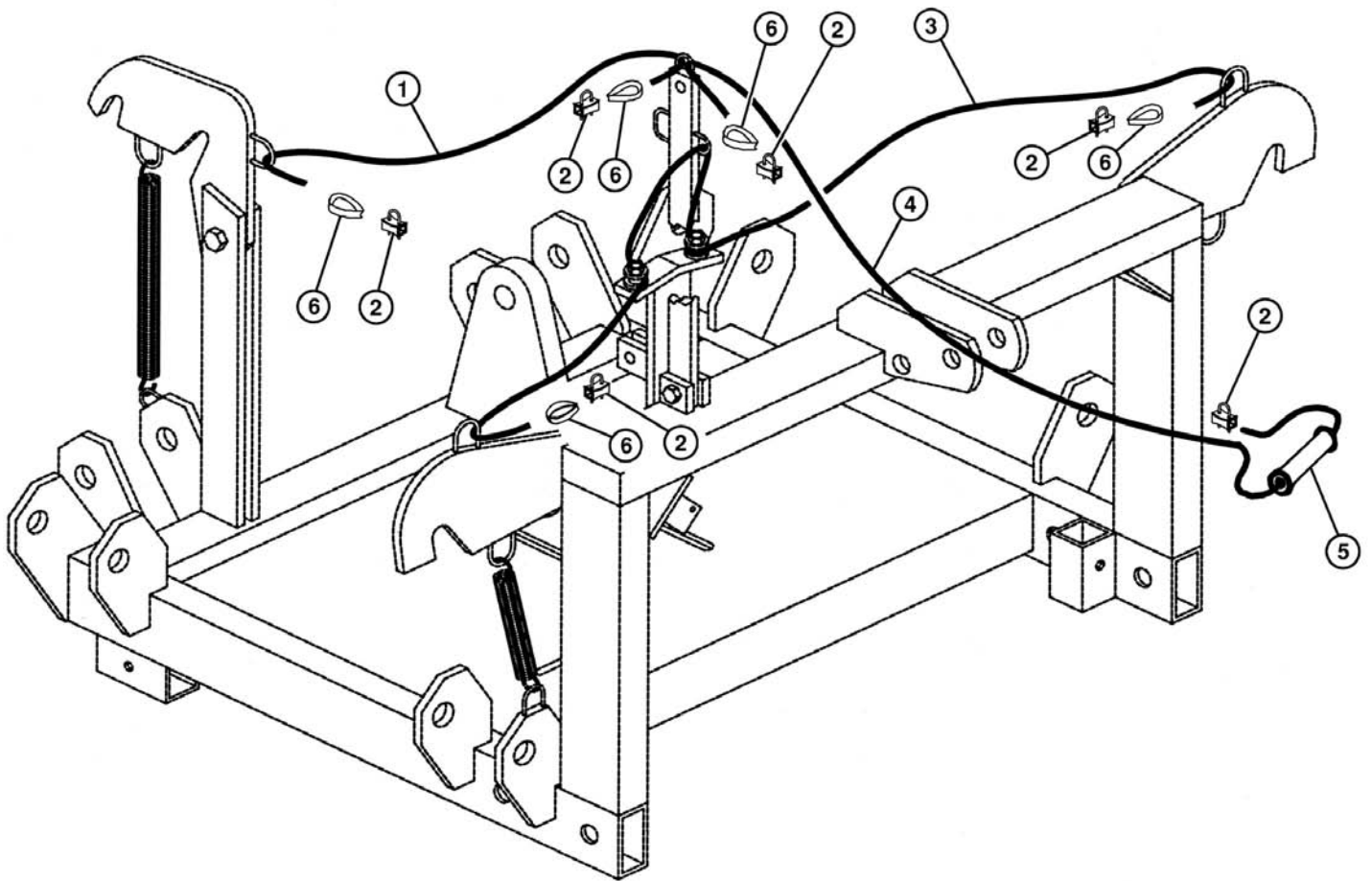
Ref.	Part #	Description	Qty.
1	009-1495	Bolt HH M12-1.75x80 C8.8 Z P	6
2	003-0064	Nut PT M12-1.75 C6 TK Z	6
3	008-2145	Central lift	1
4	008-2112	Pin; #267889 & below	6
	008-2703	Pin; #267890 & above	6
5	008-2123	Bushing	6
6	001-8266	Lynch pin Ø11x45; #267889 & below	6
7	000-1065	Grease fitting M10-1.00	6
8	018-2126	Lift side, right	1
9	028-2126	Lift side, left	1
10	009-1446	Bolt HH M08-1.25x25 C8.8 Z F	6
11	009-1384	Nut ES M08-1.25 Z TK	6



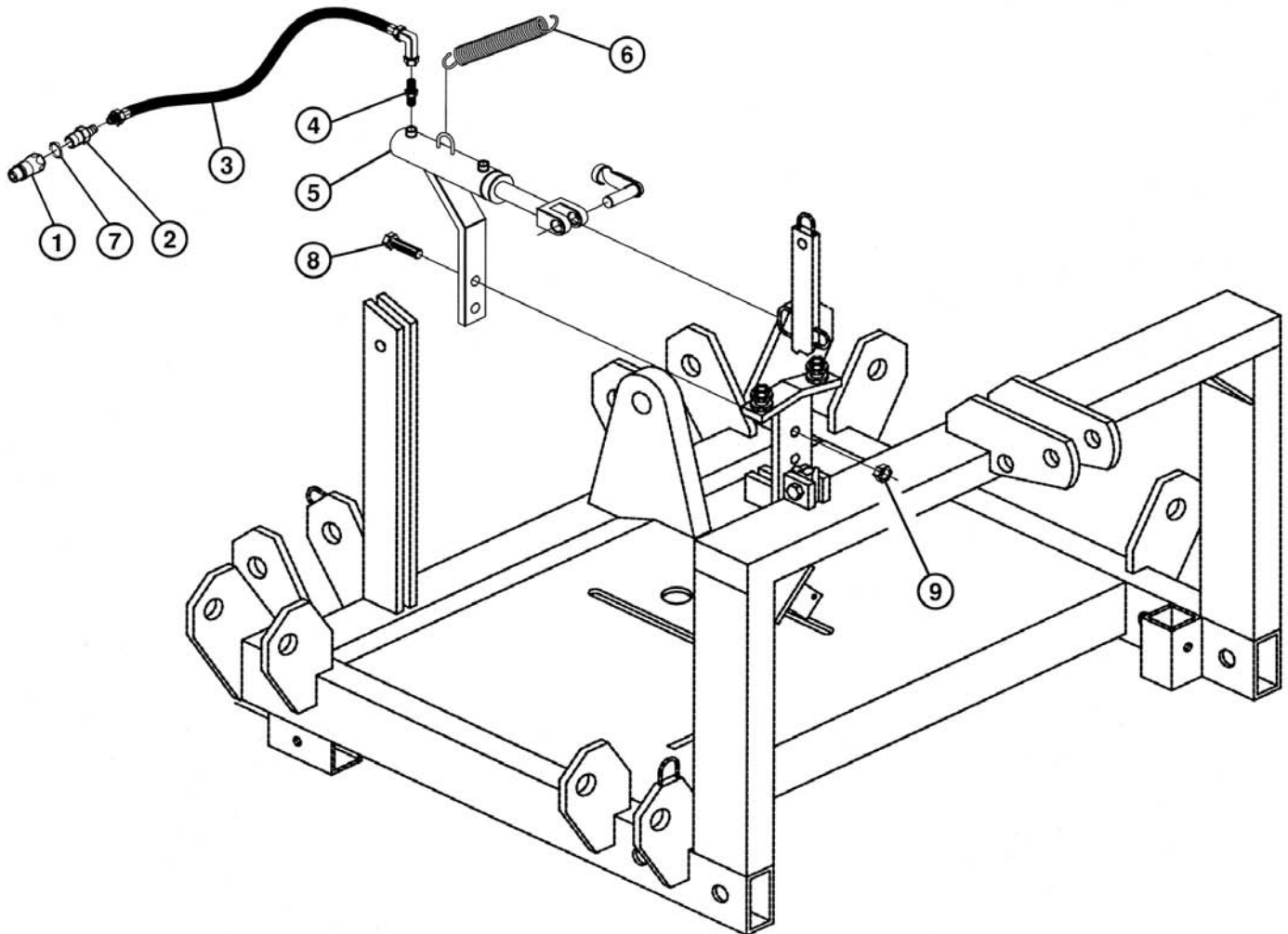
Ref.	Part #	Description	Qty.
1	000-9970	Housing, gearbox	1
2	000-9971	Front cover, gearbox	2
3	000-9972	Side support, gearbox	2
4	003-0193	Gasket 2/10	-
	013-0193	Gasket 5/10	-
5	000-9975	Input shaft	1
6	000-9976	Output shaft	2
7	000-9973	Ring gear	3
8	003-7098	Locking ring ES GUK M35-1.50	2
9	003-0201	Bearing 30208	4
10	000-7172	Bearing 30207	2
11	000-7094	Oil seal 52.85.10	2
12	000-9974	Oil seal 35.55.10	2
13	000-1241	Bolt HH M10-1.50x25 C8.8 N F	24
14	000-1107A	Breather cap	1
15	005-3446	Drain plug	1
16	000-6691	Gasket	2
	050-0617	Gearbox, complete	-



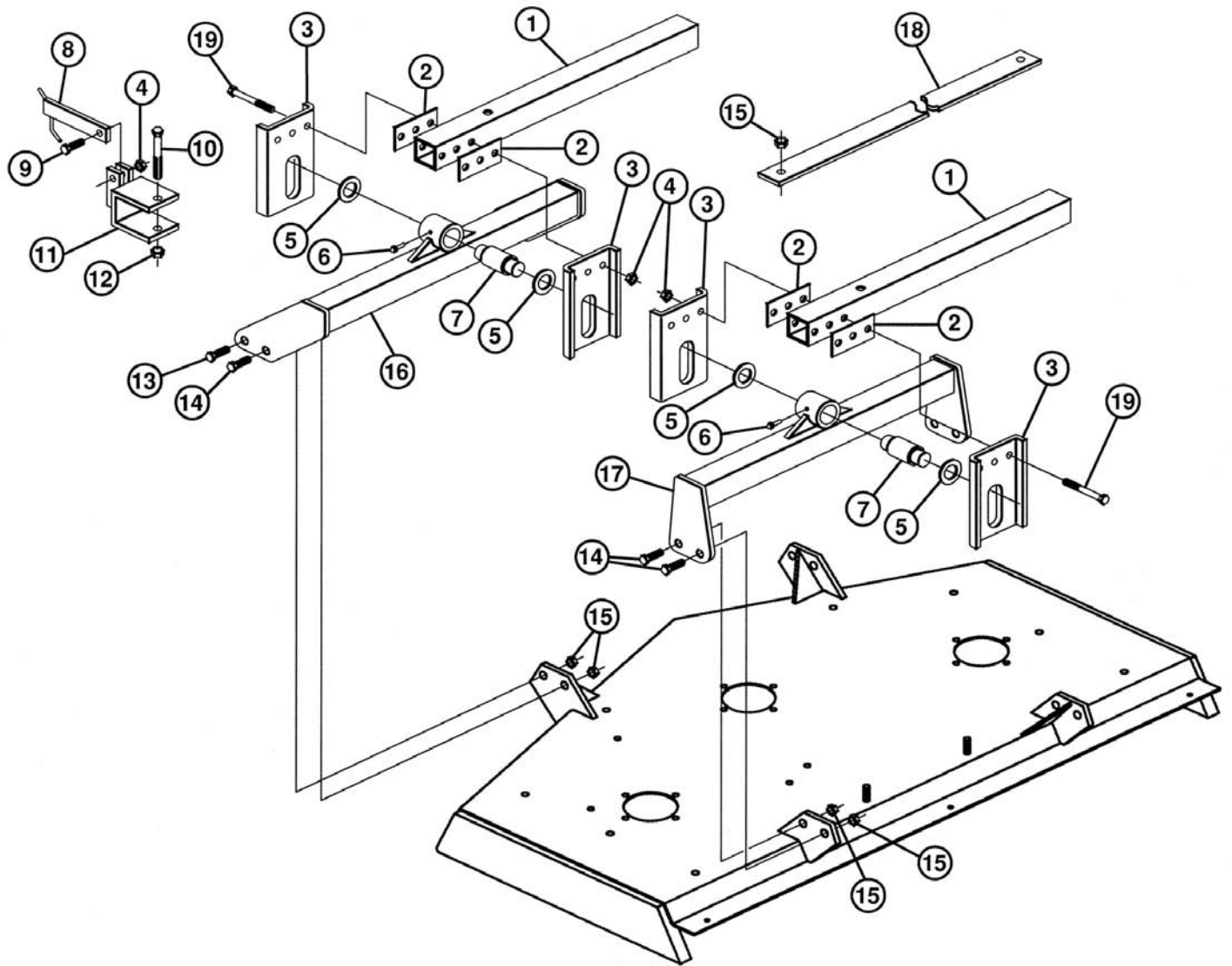
Ref.	Part #	Description	Qty.
1	503-034B	Hydraulic cylinder	3
	502-757B	Repair kit for cylinder 503-034B	-
2	502-171B	Pin HYD CYL 1.00"x3.40" Z	6
3	502-172B	Clip hairpin 0.105"x2.00" Z	12
4	008-2275	Hose assembly	3
5	008-2285	4-way tee	1
6	502-167B	Hydraulic hose 48"	1
7	502-164B	Adaptor 3/8" NPT w1/16" restrictor	3
8	502-163B	90 degree OR fitting	3
9	502-169B	Reducer 3/8"-1/2"	1
10	502-170B	1/2" quick connect nipple 1/2" FP	1
11	000-3038	Nut HH M12-1.75 C6 TK Z	1



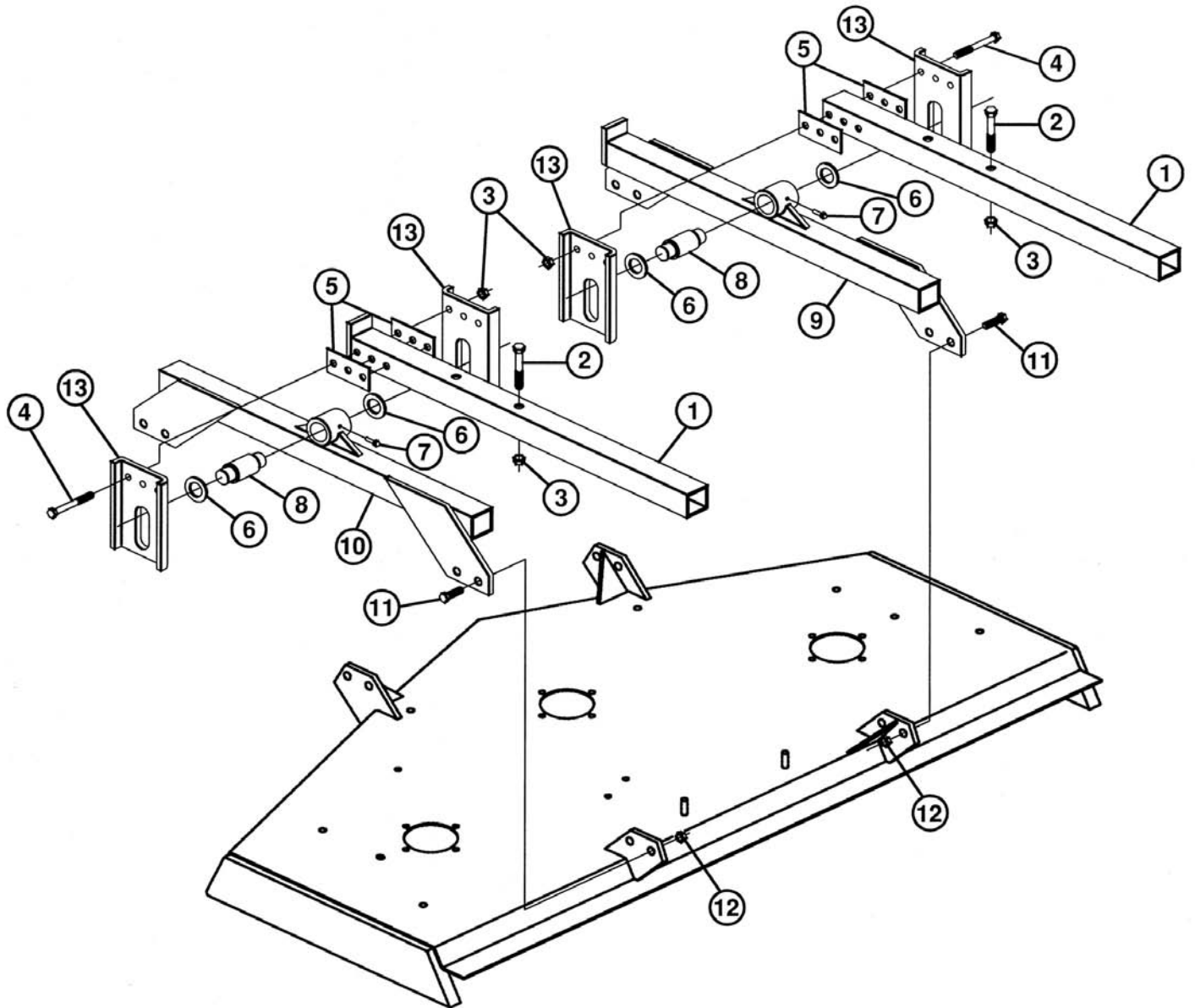
Ref.	Part #	Description	Qty.
1	008-2294	Rear rope; #267889 & below	1
	008-2881	Rear rope (wire); #267890 & above	1
2	000-9757	"U" clamp, complete; #267889 & below	6
	005-8224	"U" clamp, complete; #267890 & above	6
3	008-2292	Side rope; #267889 & below	1
	008-2880	Side rope (wire); #267890 & above	1
4	008-2296	Front rope; #267889 & below	1
	005-8222	Front rope (wire); #267890 & above	1
5	005-8228	Turning handle	1
6	005-8225	Wire loop; #267890 & above	5



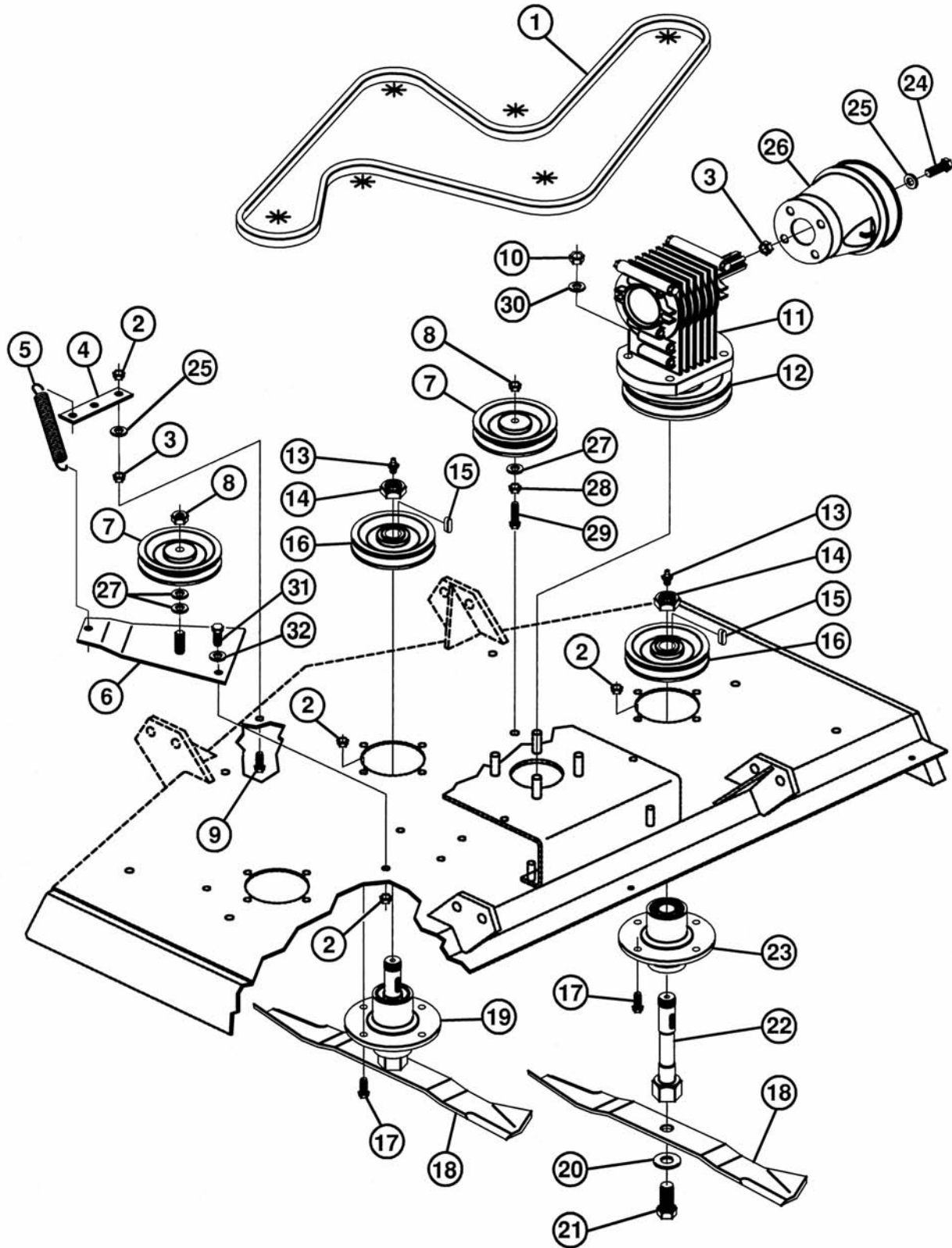
Ref.	Part #	Description	Qty.
1	004-1871	Quick connector 1/2"	1
2	008-2488	Nipple 1/4"-1/2"	1
3	008-2486	Hose, unlock kit	1
4	008-2484	Nipple 1/4"	1
5	008-2475	Hydraulic cylinder	1
6	005-1740	Spring	1
7	003-6532	Washer copper 1/2"	1
8	009-1281	Bolt HH M10-1.50x35 C8.8 Z F	2
9	003-0156	Nut PT M10-1.50 C6 TK Z	2
	009-9593	Hydraulic unlock kit complete 112-EZF, 115-EZF (option)	-



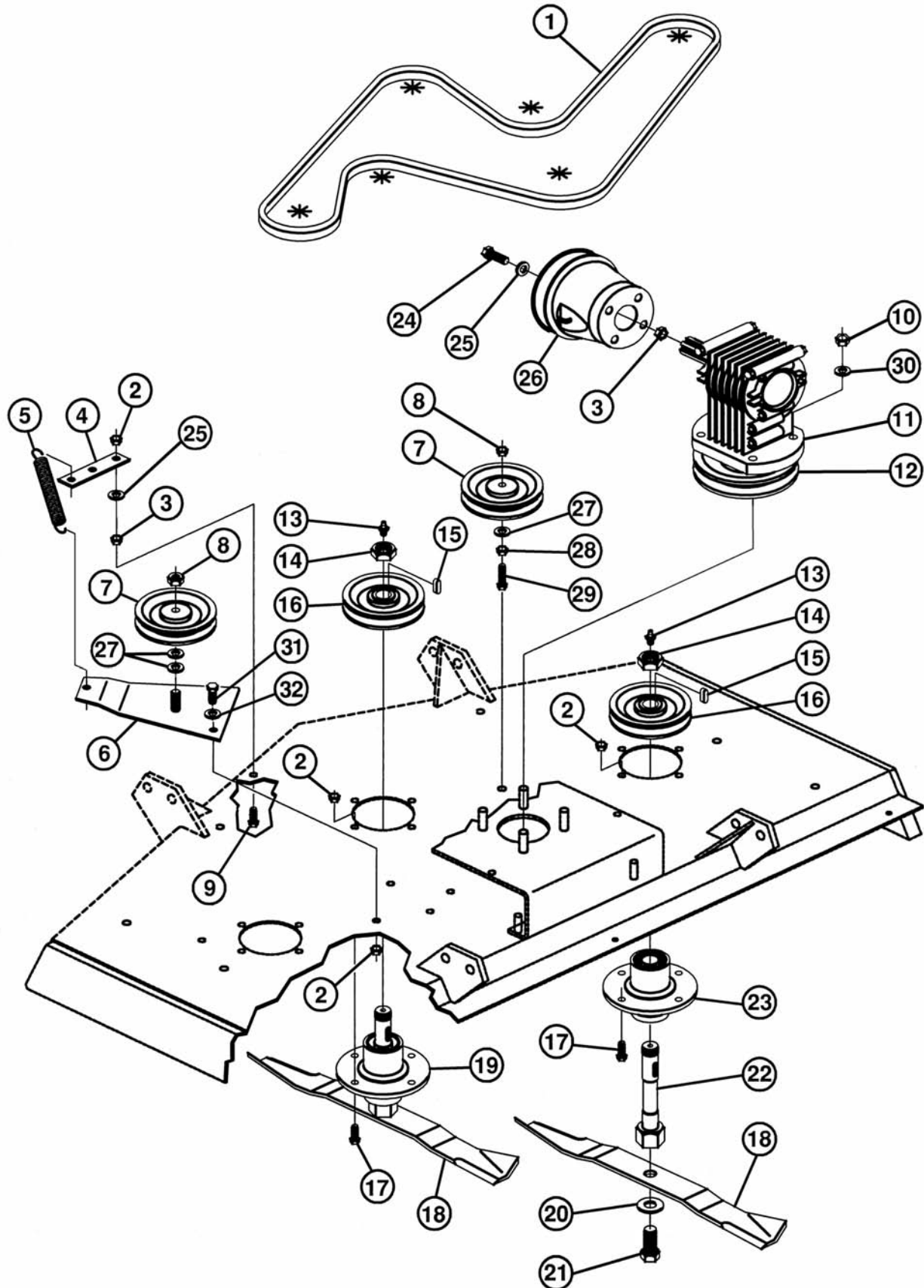
Ref.	Part #	Description	Qty.
1	008-2166	Lift arm, side deck; 112-EZF	2
	008-2755	Lift arm, side deck; 115-EZF	2
2	008-2174	Shim, lift arm	4
3	008-2176	Coupling plate	4
4	003-0064	Nut PT M12-1.75 C6 TK Z	7
5	000-3056	Washer flat Ø30 Y	4
6	000-1065	Grease fitting M10-1.00	2
7	005-8333	Coupling pin	2
8	000-9825	Transport lock	1
9	000-7716	Bolt HH M12-1.75x45 C8.8 Z F	1
10	001-5236	Bolt HH M10-1.50x80 C8.8 Z P	1
11	008-2452	Support, transport lock	1
12	003-0156	Nut PT M10-1.50 C6 TK Z	1
13	003-0309	Bolt HH M16-2.00x70 C8.8 Z F	1
14	000-6578	Bolt HH M16-2.00x45 C8.8 Z F	7
15	000-5581	Nut PT M16-2.00 C6 Z TK	10
16	008-2403	Front hitch 4' & 5' deck; #267889 & below	1
	018-2461	Front hitch, right 4' deck; 112-EZF #267890 & above	1
	028-2461	Front hitch, left 4' deck; 112-EZF #267890 & above	1
	018-3012	Front hitch, right 5' deck; 115-EZF #267890 & above	1
	028-3012	Front hitch, left 5' deck; 115-EZF #267890 & above	1
17	008-2422	Rear hitch 4' & 5' deck; # 267889 & below	1
	018-2466	Rear hitch, right 4' deck; 112-EZF #267890 & above	1
	028-2466	Rear hitch, left 4' deck; 112-EZF #267890 & above	1
	018-3022	Rear hitch, right 5' deck; 115-EZF #267890 & above	1
	028-3022	Rear hitch, left 5' deck; 115-EZF #267890 & above	1
18	008-2449	Transport bar 112-EZF	1
	008-3048	Transport bar 115-EZF	1
19	001-5122	Bolt HH M12-1.75x90 C8.8 Z P	6



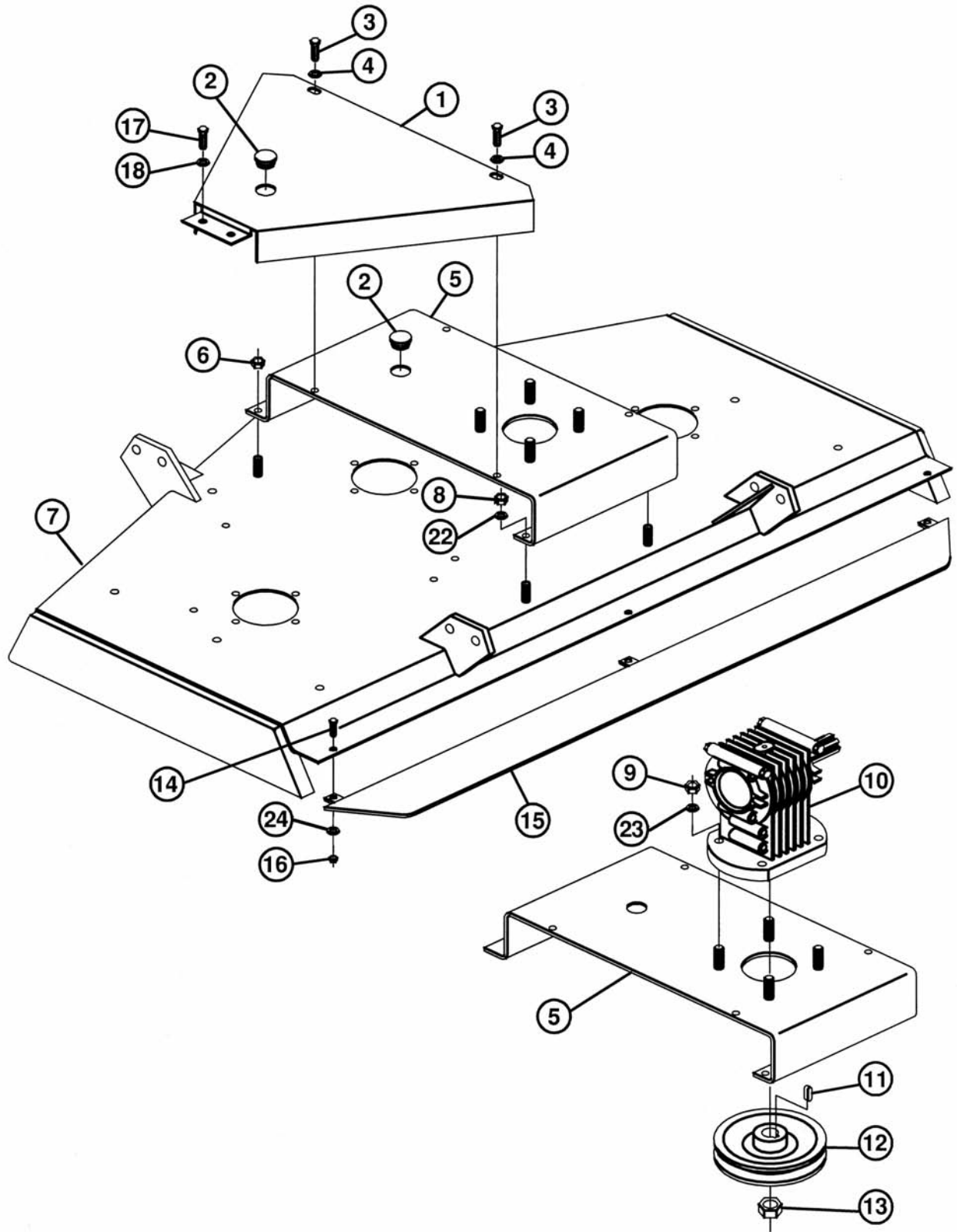
Ref.	Part #	Description	Qty.
1	008-2166	Lift arm, central deck; 112-EZF	2
	008-2758	Lift arm, central deck; 115-EZF	2
2	009-1495	Bolt HH M12-1.75x80 C8.8 Z P	2
3	003-0064	Nut PT M12-1.75 C6 TK Z	8
4	001-5122	Bolt HH M12-1.75x90 C8.8 Z P	6
5	008-2174	Shim, lift arm	4
6	000-3056	Washer flat Ø30 Y	4
7	000-1065	Grease fitting M10-1.00	2
8	005-8333	Coupling pin	2
9	018-2350	Right hitch, central deck	1
10	028-2350	Left hitch, central deck	1
11	000-6578	Bolt HH M16-2.00x45 C8.8 Z F	8
12	000-5581	Nut PT M16-2.00 C6 Z TK	8
13	008-2176	Coupling plate	4



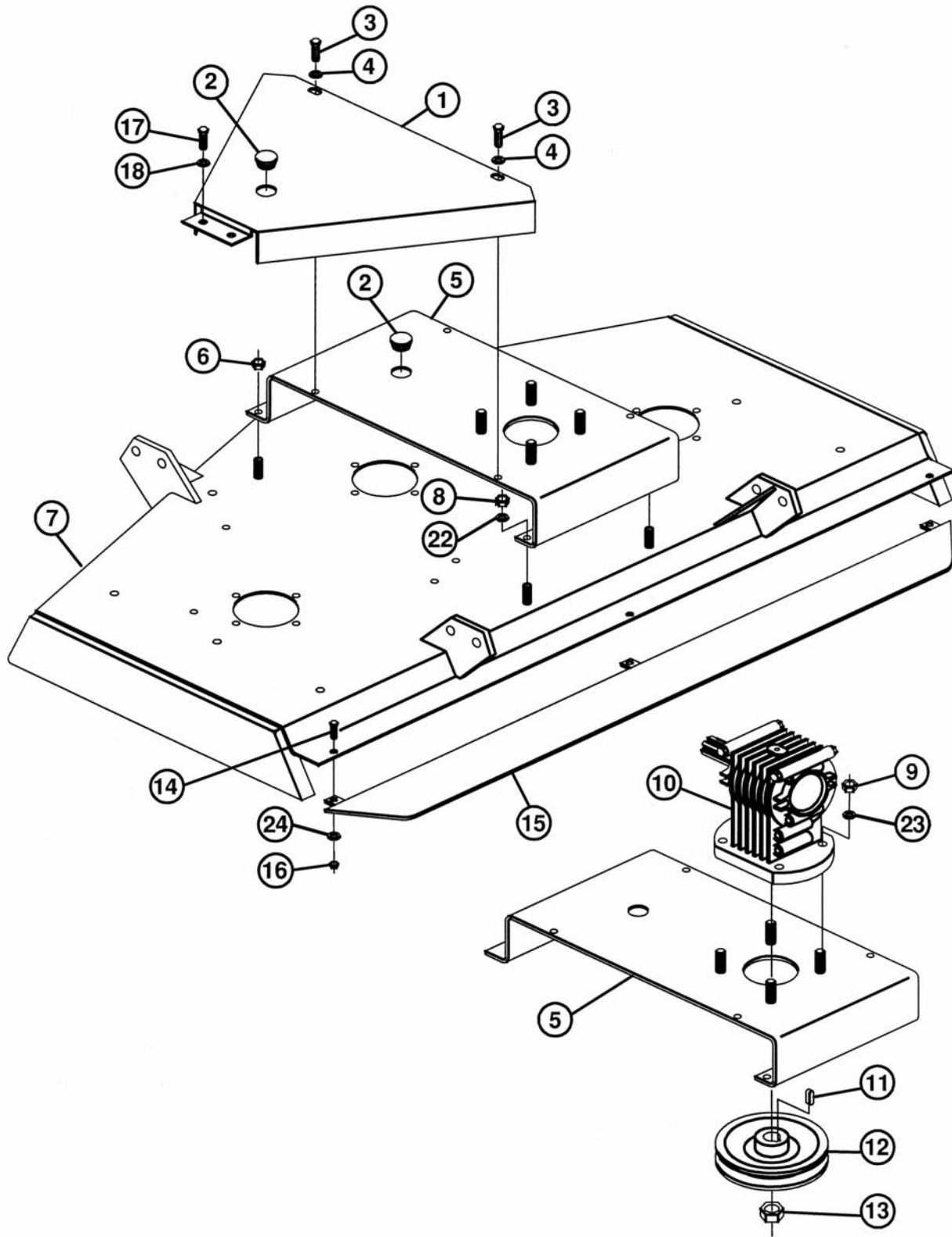
Ref.	Part #	Description	Qty.
1	000-8630	Belt BX 98, 4' deck; 112-EZF	1
	000-8670	Belt BX 112 ½, 5' deck; 115-EZF	1
2	003-0156	Nut PT M10-1.50 C6 TK Z	14
3	000-1279	Nut HH M10-1.50 C6 TK Z	3
4	000-8571	Hitch plate; 112-EZF	1
	005-1755	Hitch plate; 115-EZF	1
5	005-1740	Spring	1
6	000-8563	Belt tensioner support; #267889 & below	1
	005-1741	Belt tensioner support; 112-EZF #267890 & above	1
	005-1745	Belt tensioner support; 115-EZF #267890 & above	1
7	000-8561	Pulley, belt tensioner	2
8	000-5507	Nut PT M20-2.50 C6 TK Z	2
9	009-1281	Bolt HH M10-1.50x35 C8.8 Z F	1
10	000-3038	Nut HH M12-1.75 C6 TK Z	4
11	050-0620	Gearbox, complete; #263242 & below	1
	050-0654	Gearbox, complete; #263243 & above	1
12	000-8623	Pulley SPB 250x1	1
13	002-9036	Grease fitting Ø8 press in	3
14	000-6698	Nut SP M25-1.50 Z	3
15	000-6639	Key 8x7x25	3
16	000-8531	Pulley SPB 120x1, 4' deck; 112-EZF	3
	000-8666	Pulley SPB 130x1, 5' deck; 115-EZF	3
17	000-1278	Bolt HH M10-1.50x30 C8.8 Z F	12
18	000-6795	Blade standard, 4' deck; 112-EZF	3
	000-6641	Blade standard, 5' deck; 115-EZF	3
	000-6795M	Blade mulching, 4' deck; 112-EZF (option)	3
	000-6641M	Blade mulching, 5' deck; 115-EZF (option)	3
	000-6795B	Blade high lift, 4' deck; 112-EZF (option)	3
	000-6641B	Blade high lift, 5' deck; 115-EZF (option)	3
	000-6795F	Blade low lift, 4' deck; 112-EZF (option)	3
	000-6641F	Blade low lift, 5' deck; 115-EZF (option)	3
	000-6795G	Blade gator, 4' deck; 112-EZF (option)	3
	000-6641G	Blade gator, 5' deck; 115-EZF (option)	3
19	000-8533	Spindle assembly	3
20	000-8560	Washer conical spring Ø18 Z	3
21	000-6659	Bolt blade SP M14-1.50x32	3
22	000-8557	Spindle shaft	3
23	000-8538	Support, spindle shaft	3
24	003-3176	Bolt HH M10-1.50x25 C8.8 Z F	2
25	000-2034	Washer flat Ø10 W	5
26	000-8663	Shaft protection	1
27	004-6555	Washer flat Ø20 Z	3
28	000-5508	Nut HH M20-2.50 C6 Z MD	1
29	000-8576	Bolt HH M20-2.50x65 C8.8 Z F	1
30	000-1077	Washer lock Ø12 Z	4
31	009-1281	Bolt HH M10-1.50x35 C8.8 Z F; #267889 & below	1
	005-1751	Bolt belt tensioner SP M10-1.50; #267890 & above	1
32	003-0157	Washer fender Ø10 Z; #267889 & below	1
	005-1753	Washer flat Ø16 W; #267890 & above	1



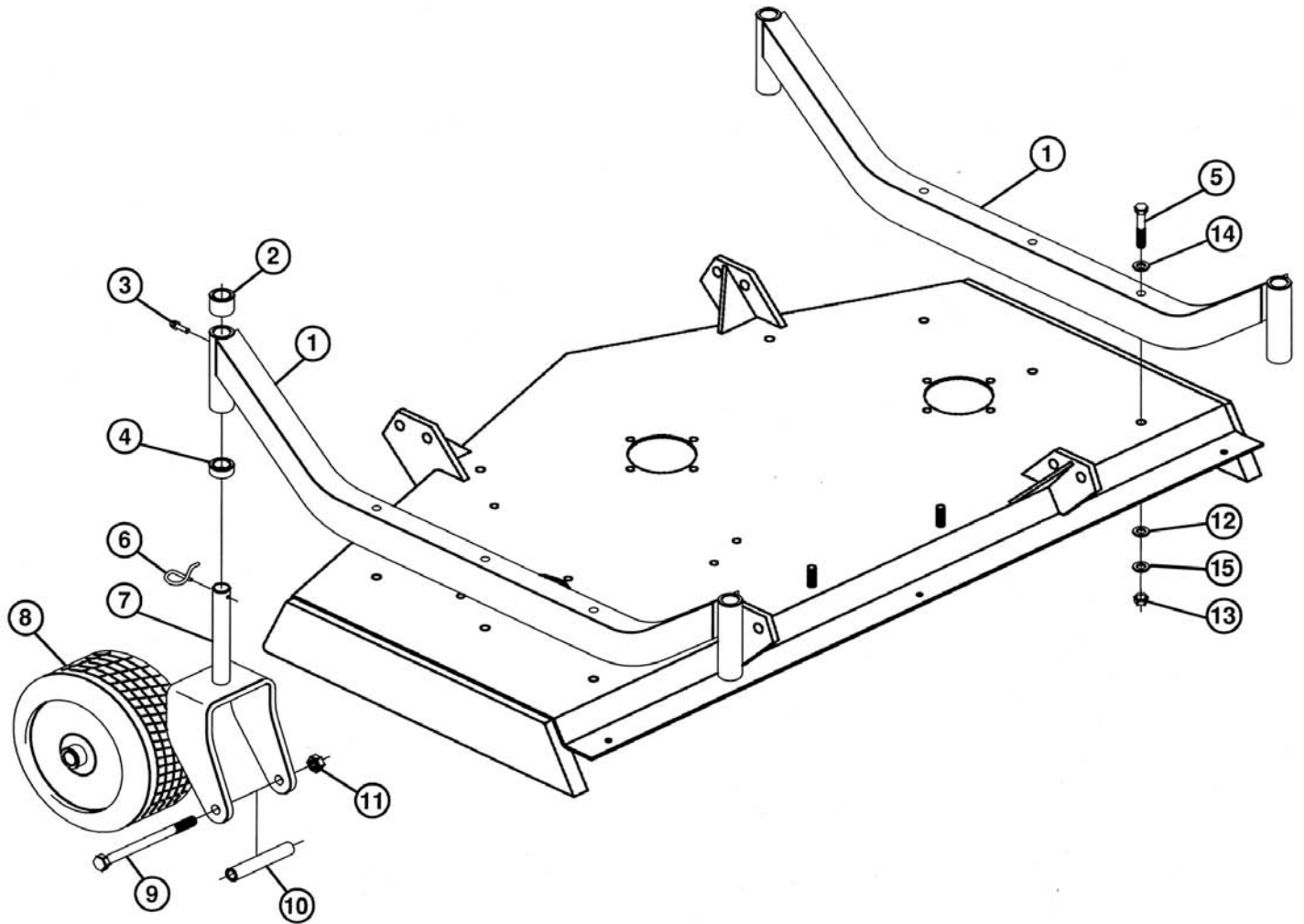
Ref.	Part #	Description	Qty.
1	000-8950	Belt BX 140	1
2	003-0156	Nut PT M10-1.50 C6 TK Z	14
3	000-1010	Nut HH M10-1.50 C6 TK N	3
4	000-8571	Hitch plate; #267889 & below	1
	005-1757	Hitch plate; #267890 & above	1
5	005-1740	Spring	1
6	000-8563	Belt tensioner support; #267889 & below	1
	005-1745	Belt tensioner support; #267890 & above	1
7	000-8561	Pulley, belt tensioner	2
8	000-5507	Nut PT M20-2.50 C6 TK Z	2
9	009-1281	Bolt HH M10-1.50x35 C8.8 Z F	1
10	000-3038	Nut HH M12-1.75 C6 TK Z	4
11	050-0620	Gearbox, complete; #263242 & below	1
	050-0654	Gearbox, complete; #263243 & above	1
12	000-8623	Pulley SPB 250x1	1
13	002-9036	Grease fitting Ø8 press in	3
14	000-6698	Nut SP M25-1.50 Z	3
15	000-6639	Key 8x7x25	3
16	000-8881	Pulley SPB 160x1	3
17	000-1278	Bolt HH M10-1.50x30 C8.8 Z F	12
18	000-6845	Blade standard, 6' deck	3
	000-6845M	Blade mulching, 6' deck (option)	3
	000-6845B	Blade high lift, 6' deck (option)	3
	000-6845F	Blade low lift, 6' deck (option)	3
	000-6845G	Blade gator, 6' deck (option)	3
19	000-8533	Spindle assembly	3
20	000-8560	Washer conical spring Ø18 Z	3
21	000-6659	Bolt blade SP M14-1.50x32	3
22	000-8557	Spindle shaft	3
23	000-8538	Support, spindle shaft	3
24	003-3176	Bolt HH M10-1.50x25 C8.8 Z F	2
25	000-2034	Washer flat Ø10 W	5
26	000-8663	Shaft protection	1
27	004-6555	Washer flat Ø20 Z	3
28	000-5508	Nut HH M20-2.50 C6 Z MD	1
29	000-8576	Bolt HH M20-2.50x65 C8.8 Z F	1
30	000-1077	Washer lock Ø12 Z	4
31	009-1281	Bolt HH M10-1.50x35 C8.8 Z F; #267889 & below	1
	005-1751	Bolt belt tensioner SP M10-1.50; #267890 & above	1
32	003-0157	Washer fender Ø10 Z; #267889 & below	1
	005-1753	Washer flat Ø16 W; #267890 & above	1



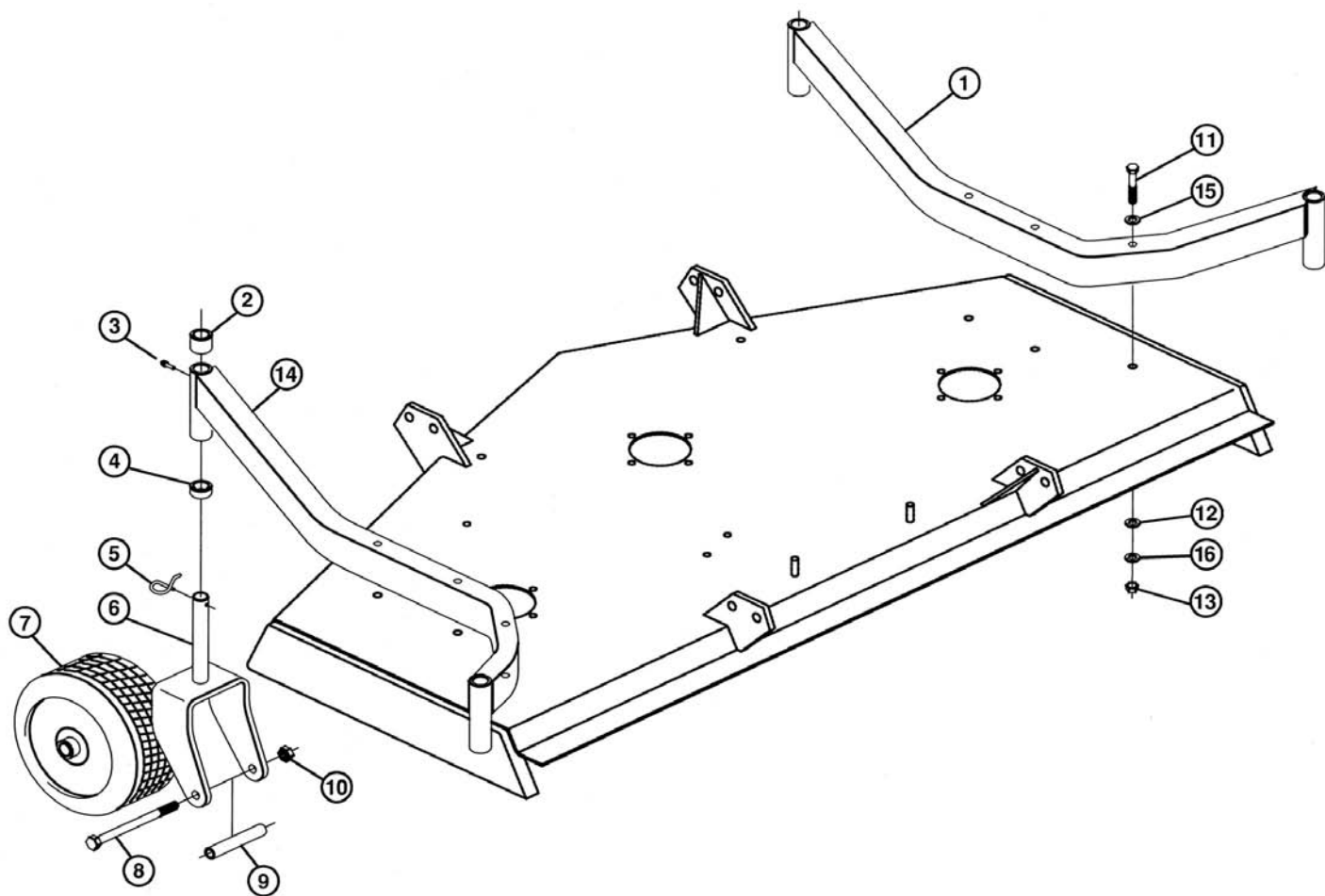
Ref.	Part #	Description	Qty.
1	010-8811	Belt shield 4' deck; 112-EZF #263242 & below	2
	010-8817	Belt shield 4' deck; 112-EZF #263243 & above	2
	020-8817	Belt shield 5' deck; 115-EZF	2
2	000-6647	Cap	3
3	003-3176	Bolt HH M10-1.50x25 C8.8 Z F	4
4	000-2034	Washer flat Ø10 W	4
5	005-1581	Central plate 4' deck; 112-EZF	1
	005-1583	Central plate 5' deck; 115-EZF	1
6	003-0156	Nut PT M10-1.50 C6 TK Z	3
7	015-1501P	Frame 4' deck; 112-EZF	1
	025-1501P	Frame 5' deck; 115-EZF	1
8	000-1279	Nut HH M10-1.50 C6 TK Z	2
9	000-3038	Nut HH M12-1.75 C6 TK Z	4
10	050-0620	Gearbox, complete; #263242 & below	1
	050-0654	Gearbox, complete; #263243 & above	1
11	000-6688	Key 8x7x35	1
12	000-8623	Pulley SPB 250x1	1
13	000-6698	Nut SP M25-1.50 Z	1
14	004-6454	Bolt HH M08-1.25x16 C8.8 Z F	-
15	005-1858	Rear protection, outer 5' deck; 115-EZF	2
	005-1856	Rear protection, inner; 112-EZF, 115-EZF	2
16	000-1806	Nut HH M08-1.25 C6 Z TK	-
17	002-6185	Bolt HH M10-1.50x90 C8.8 Z P	2
18	003-0157	Washer fender Ø10 Z	4
19	000-8818	Bolt HH M10-1.50x110 C8.8 Z F	2
20	001-4106	Nut ES M10-1.50 Z TK	2
21	001-5237	Nut ES M10-1.50 Z TN	2
22	000-1280	Washer lock Ø10 Z	2
23	000-1077	Washer lock Ø12 Z	4
24	000-3144	Washer lock Ø8 Z	-



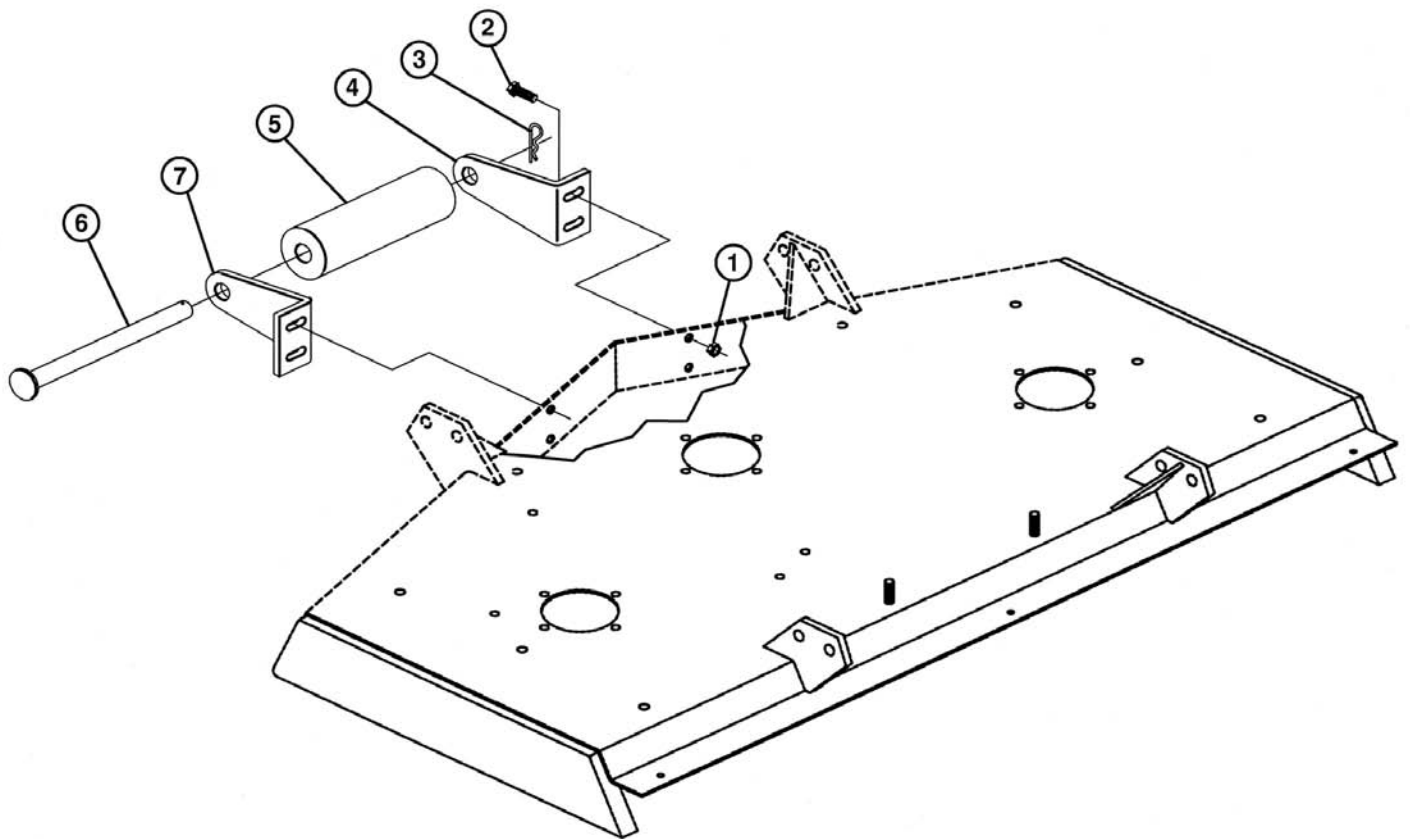
Ref.	Part #	Description	Qty.
1	030-8811	Belt shield 6' deck; #263242 & below	2
	030-8817	Belt shield 6' deck; #263243 & above	2
2	000-6647	Cap	3
3	003-3176	Bolt HH M10-1.50x25 C8.8 Z F	4
4	000-2034	Washer flat Ø10 W	4
5	005-1585	Central plate 6' deck	1
6	003-0156	Nut PT M10-1.50 C6 TK Z	3
7	035-1501P	Frame 6' deck	1
8	000-1279	Nut HH M10-1.50 C6 TK Z	2
9	000-3038	Nut HH M12-1.75 C6 TK Z	4
10	050-0620	Gearbox, complete; #263242 & below	1
	050-0654	Gearbox, complete; #263243 & above	1
11	000-6688	Key 8x7x35	1
12	000-8623	Pulley SPB 250x1	1
13	000-6698	Nut SP M25-1.50 Z	1
14	004-6454	Bolt HH M08-1.25x16 C8.8 Z F	3
15	005-1859	Rear protection, outer 6' deck	2
	005-1856	Rear protection, inner	2
16	000-1806	Nut HH M08-1.25 C6 Z TK	3
17	002-6185	Bolt HH M10-1.50x90 C8.8 Z P	2
18	003-0157	Washer fender Ø10 Z	4
19	000-8818	Bolt HH M10-1.50x110 C8.8 Z F	2
20	001-4106	Nut ES M10-1.50 Z TK	2
21	001-5237	Nut ES M10-1.50 Z TN	2
22	000-1280	Washer lock Ø10 Z	2
23	000-1077	Washer lock Ø12 Z	4
24	000-3144	Washer lock Ø8 Z	3



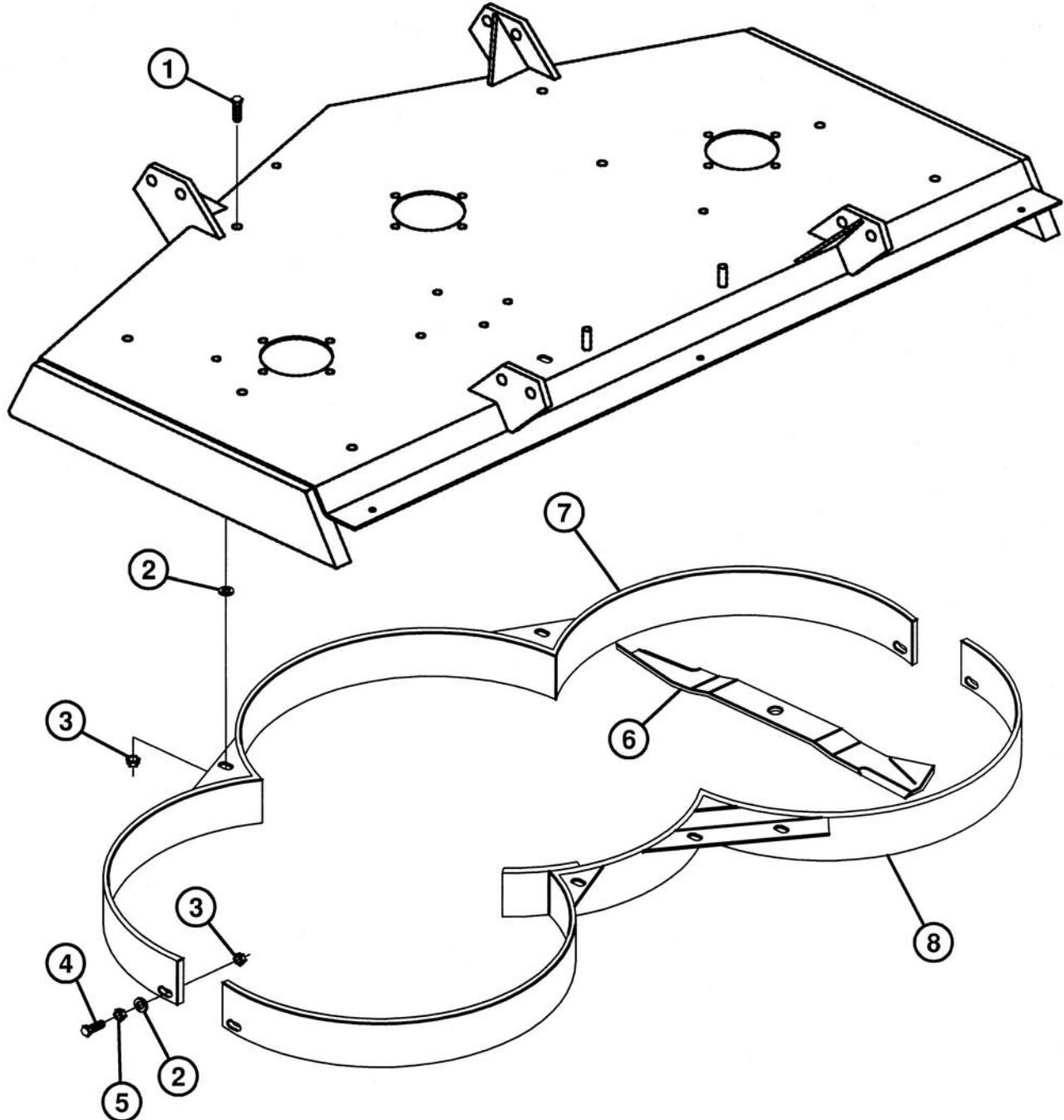
Ref.	Part #	Description	Qty.
1	005-1772	Wheel arm 4' deck; 112-EZF	2
	005-1781	Wheel arm 5' deck; 115-EZF	2
2	000-6586	Spacer, height adjustment 1"	8
3	000-1065	Grease fitting M10-1.00	4
4	000-6587	Spacer, height adjustment ½"	8
5	002-6185	Bolt HH M10-1.50x90 C8.8 Z P	6
6	000-8783	Lynch pin	4
7	000-8785	Wheel yoke	4
8	000-8526	Hard tire	4
	000-6613	Bushing, hard tire (not shown)	8
	000-8797	Air tire	4
	000-6969A	Steel retainer, air tire (not shown)	8
	000-6968	Bearing, air tire (not shown)	8
9	000-6615	Bolt HH M14-2.00x140 C8.8 Z P	4
10	000-8528	Bushing	4
11	003-0358	Nut PT M14-2.00 C6 Z TK	4
12	003-0157	Washer fender Ø10 Z	6
13	000-1279	Nut HH M10-1.50 C6 TK Z	6
14	005-1776	Washer flat Ø10 W	6
15	000-1280	Washer lock Ø10 Z	6



Ref.	Part #	Description	Qty.
1	018-2333	Wheel arm, right	1
2	000-6586	Spacer, height adjustment 1"	8
3	000-1065	Grease fitting M10-1.00	4
4	000-6587	Spacer, height adjustment ½"	8
5	000-8783	Lynch pin	4
6	000-8785	Wheel yoke	4
7	000-8526	Hard tire	4
	000-6613	Bushing, hard tire (not shown)	8
	000-8797	Air tire	4
	000-6969A	Steel retainer, air tire (not shown)	8
	000-6968	Bearing, air tire (not shown)	8
8	000-6615	Bolt HH M14-2.00x140 C8.8 Z P	4
9	000-8528	Bushing	4
10	003-0358	Nut PT M14-2.00 C6 Z TK	4
11	002-6185	Bolt HH M10-1.50x90 C8.8 Z P	6
12	003-0157	Washer fender Ø10 Z	6
13	000-1279	Nut HH M10-1.50 C6 TK Z	6
14	028-2333	Wheel arm, left	1
15	005-1776	Washer flat Ø10 W	6
16	000-1280	Washer lock Ø10 Z	6



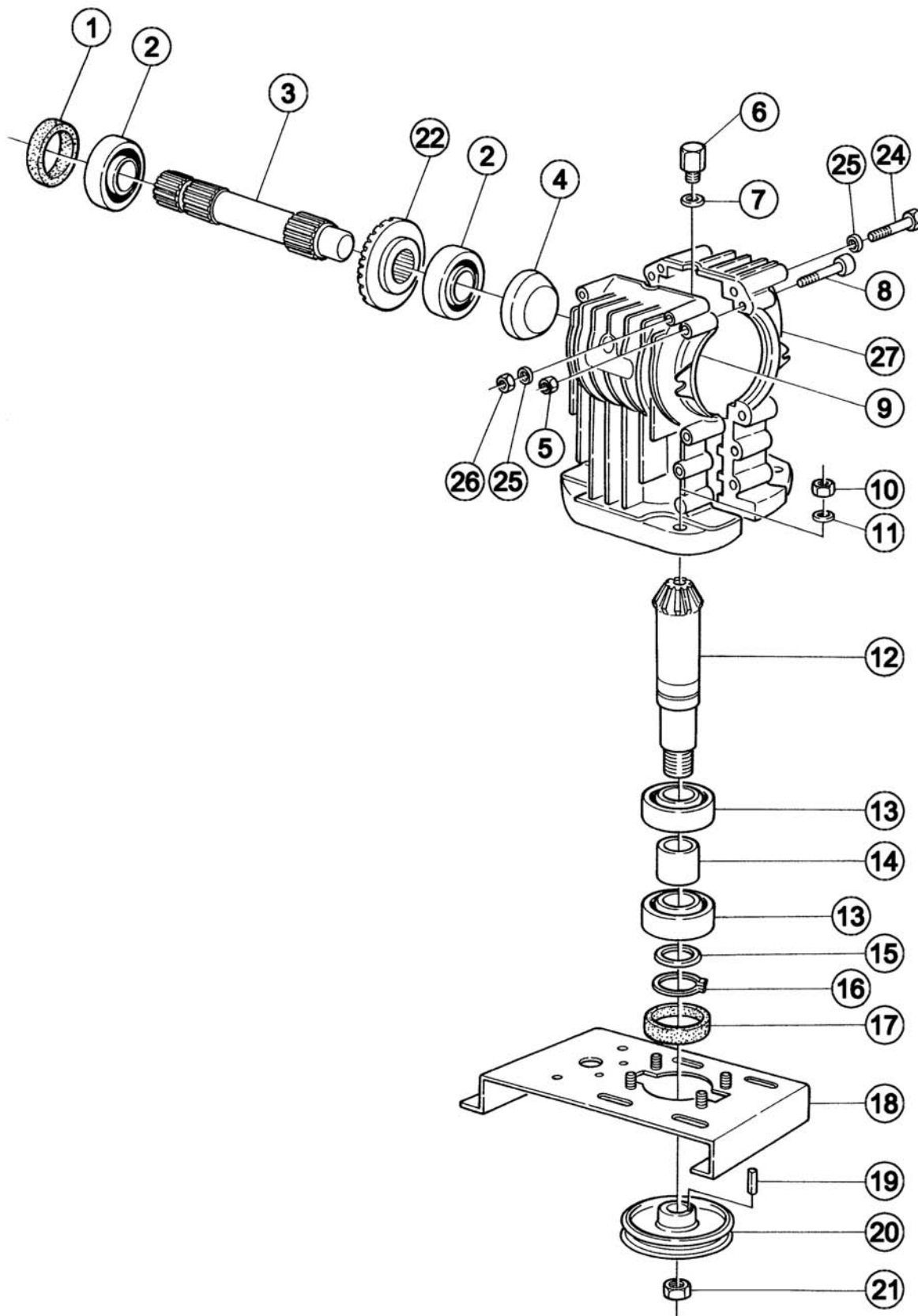
Ref.	Part #	Description	Qty.
1	003-0156	Nut PT M10-1.50 C6 TK Z	4
2	003-3176	Bolt HH M10-1.50x25 C8.8 Z F	4
3	011-2087	Pin split Ø4x50 Z	1
4	000-8923	Roller support, right	1
5	006-7358	Front roller	1
6	000-8929	Roller pin	1
7	020-8924	Roller support, left	1



Ref.	Part #	Description	Qty.
1	000-6349	Bolt HH M10-1.50x20 C8.8 Z F	5
2	000-2034	Washer flat Ø10 W	7
3	003-0156	Nut PT M10-1.50 C6 TK Z	7
4	009-1281	Bolt HH M10-1.50x35 C8.8 Z F	2
5	000-3038	Nut HH M12-1.75 C6 TK Z	2
6	000-6795M	Blade mulching, 4' deck	3
	000-6641M	Blade mulching, 5' deck	3
	000-6845M	Blade mulching, 6' deck	3
7	000-8755	Baffling, front 4' deck	1
	011-5824	Baffling, front 5' deck	1
	000-8759	Baffling, front 6' deck	1
8	000-8756	Baffling, rear 4' deck	1
	011-5825	Baffling, rear 5' deck	1
	000-8760	Baffling, rear 6' deck	1
	009-9592	Mulching kit, complete 112-EZF (option) ¹	-
	009-9826	Mulching kit, complete 115-EZF (option) ²	-

¹ Comprises 2 mulching kits for 4' side decks (part # 004-600) and 1 mulching kit for 6' rear deck (part # 006-600).

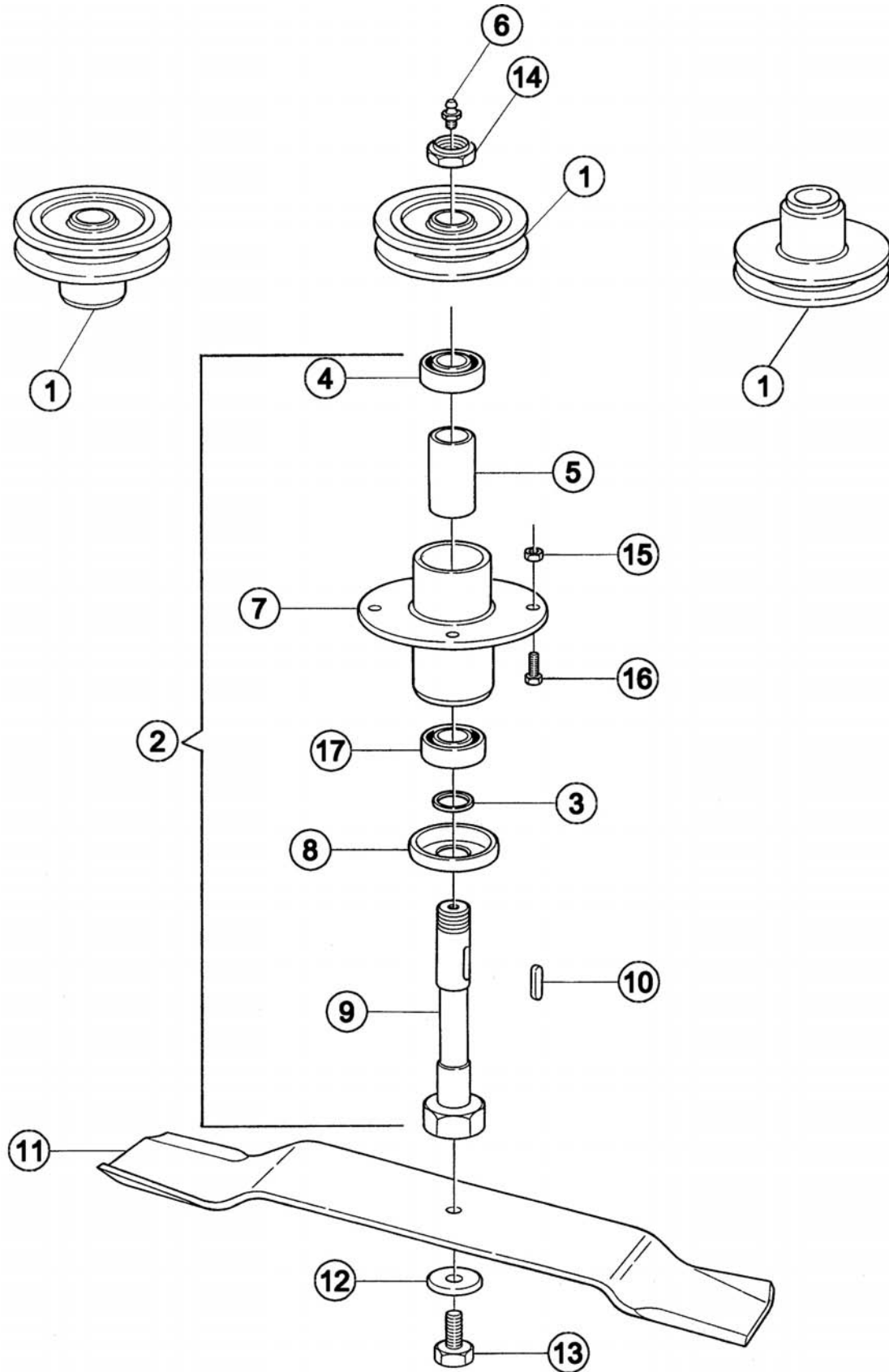
² Comprises 2 mulching kits for 5' side decks (part # 005-600) and 1 mulching kit for 6' rear deck (part # 006-600).



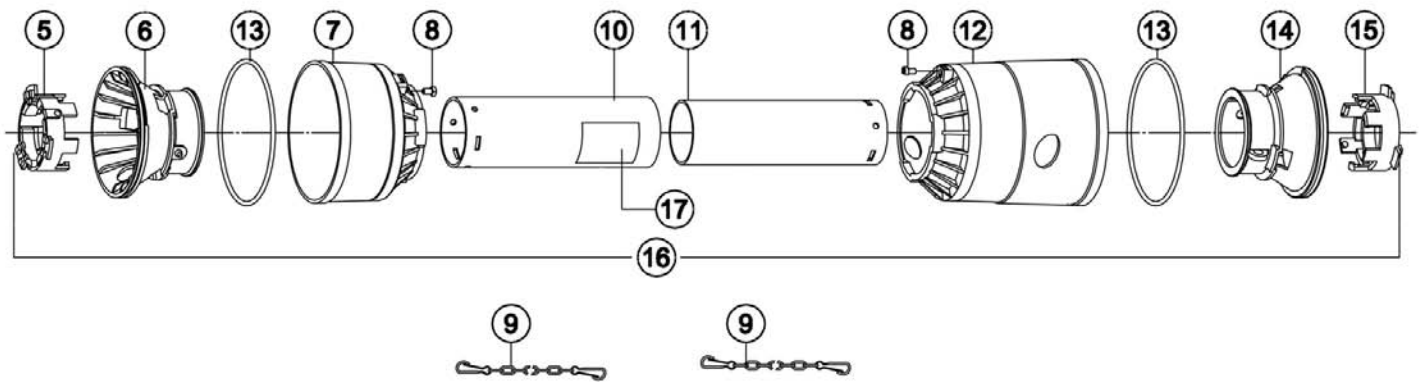
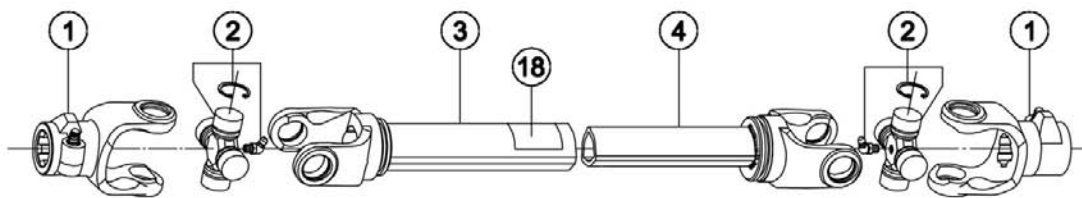
Ref.	Part #	Description	Qty.
1	001-0192	Oil seal 40.68.10	1
2	001-2149	Bearing 6208	2
3	000-8892	Input shaft	1
4	000-8609	Cover V4-237	1
5	000-1806	Nut HH M08-1.25 C6 Z TK	8
6	000-8598	Breather cap; #263242 & below	1
	001-0177	Breather cap; #263243 & above	1
7	000-8601	Gasket, breather cap	1
8	001-0171	Bolt SC M08-1.25x50 C8.8 Z P	8
9	330-0101	Housing, gearbox with central fill hole; #263242 & below ³	2
	005-1891	Housing, gearbox without fill hole; #263243 & above	1
10	000-3038	Nut HH M12-1.75 C6 TK Z	4
11	000-1077	Washer lock Ø12 Z	4
12	005-0192	Pinion gear	1
13	002-5332	Bearing 6207	2
14	001-0196	Spacer	1
15	003-4196	Shim Ø35x45x2.5	1
16	004-2122	Snap ring, outer Ø35	1
17	000-2295	Oil seal 35.62.10	1
18	005-1581	Central plate, 4' deck	1
	005-1583	Central plate, 5' deck	1
	005-1585	Central plate, 6' deck	1
19	000-6688	Key 8x7x35	1
20	000-8623	Pulley SPB 250x1	1
21	000-6698	Nut SP M25-1.50 Z	1
22	000-8893	Ring gear	1
24	001-5263	Bolt HH M10-1.50x120 C8.8 Z P	2
25	000-2034	Washer flat Ø10 W	4
26	003-0156	Nut PT M10-1.50 C6 TK Z	2
27	005-1892	Housing, gearbox with fill hole; #263243 & above	1
	050-0620	Gearbox 540 rpm, complete; #263242 & below ⁴	-
	050-0654	Gearbox 540 rpm, complete; #263243 & above	-

³ A limited quantity of these gearbox housings is available, after which both left and right housings #330-0101 need to be replaced with part #005-1896 and part #005-1897.

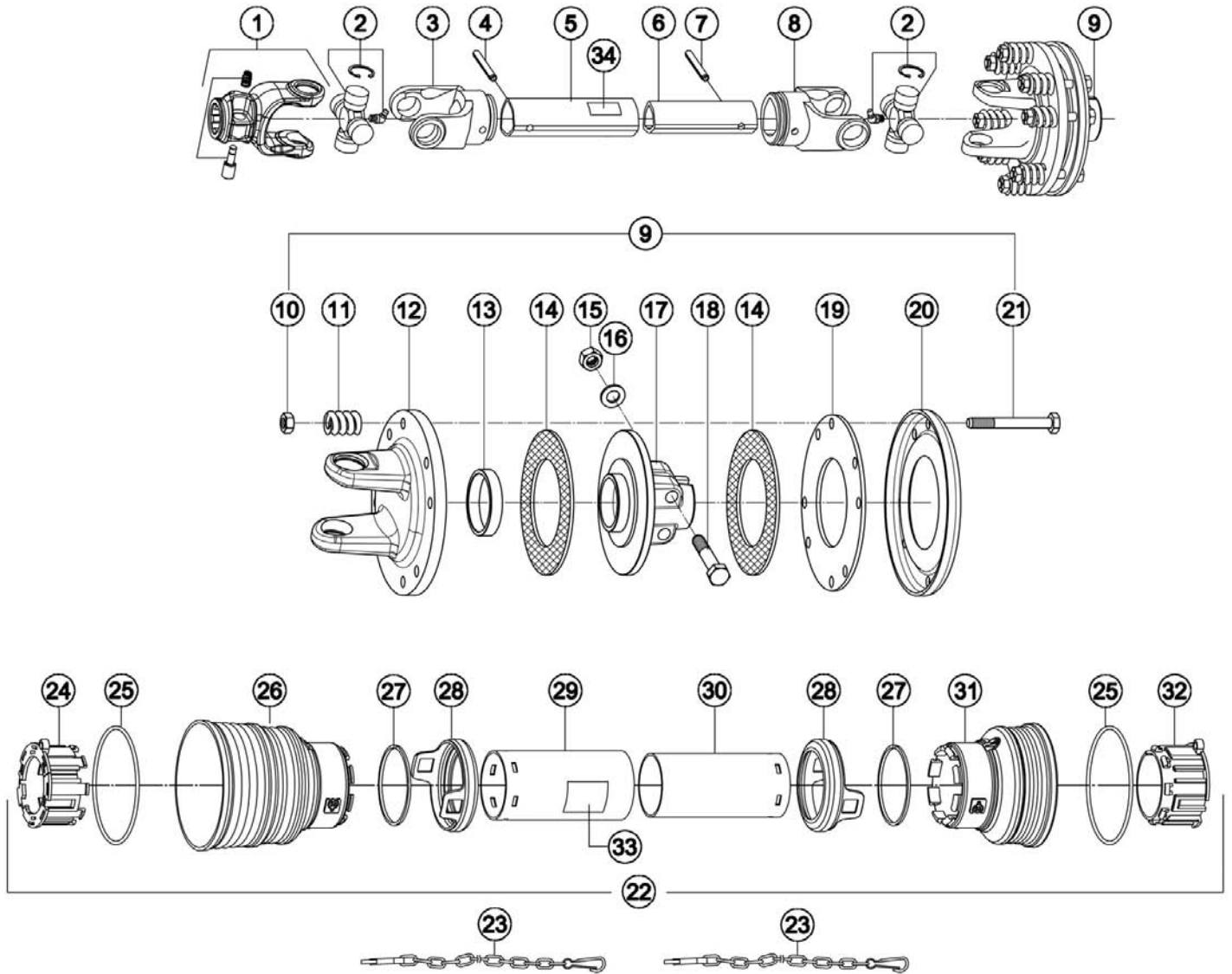
⁴ Gearbox no longer available should be replaced with gearbox #050-0654.



Ref.	Part #	Description	Qty.
1	000-8531	Pulley SPB 120x1, 4' deck	3
	000-8666	Pulley SPB 130x1, 5' deck	3
	000-8881	Pulley SPB 160x1, 6' deck	3
2	000-8533	Spindle assembly	3
3	000-6606	Spacer washer	3
4	000-6634A	Bearing 6205-Z	3
5	000-8536	Spacer	3
6	002-9036	Grease fitting Ø8 press in	3
7	000-8538	Support, spindle shaft	3
8	000-6636	Cover	3
9	000-8557	Spindle shaft	3
10	000-6639	Key 7x8x25	3
11	000-6795	Blade standard, 4' deck; 112-EZF	3
	000-6641	Blade standard, 5' deck; 115-EZF	3
	000-6845	Blade standard, 6' deck; 112-EZF, 115-EZF	3
	000-6795M	Blade mulching, 4' deck; 112-EZF (option)	3
	000-6641M	Blade mulching, 5' deck; 115-EZF (option)	3
	000-6845M	Blade mulching, 6' deck; 112-EZF, 115-EZF (option)	3
	000-6795B	Blade high lift, 4' deck; 112-EZF (option)	3
	000-6641B	Blade high lift, 5' deck; 115-EZF (option)	3
	000-6845B	Blade high lift, 6' deck; 112-EZF, 115-EZF (option)	3
	000-6795F	Blade low lift, 4' deck; 112-EZF (option)	3
	000-6641F	Blade low lift, 5' deck; 115-EZF (option)	3
	000-6845F	Blade low lift, 6' deck; 112-EZF, 115-EZF (option)	3
	000-6795G	Blade gator, 4' deck; 112-EZF (option)	3
	000-6641G	Blade gator, 5' deck; 115-EZF (option)	3
	000-6845G	Blade gator, 6' deck; 112-EZF, 115-EZF (option)	3
12	000-8560	Washer conical spring Ø18 Z	3
13	000-6659	Bolt blade SP M14-1.50x32	3
14	000-6698	Nut SP M25-1.50 Z	3
15	003-0156	Nut PT M10-1.50 C6 TK Z	12
16	000-1278	Bolt HH M10-1.50x30 C8.8 Z F	12
17	000-6626A	Bearing 6205-ZZ	3



Ref.	Part #	Description	Qty.
1	1022010C	PTO yoke	2
2	1002020C	Cross & bearing	2
3	1942045NC	Outer tube	1
4	1952047NC	Inner tube	1
5	1782210C	Locking ring, outer tube	1
6	1784201C	Rigid cone, outer tube	1
7	1784203C	Standard cone	1
8	1784212C	Pin	2
9	1006065C	Chain, anti-rotation	2
10	1773043C	Shield, outer tube	1
11	1872043C	Shield, inner tube	1
12	1784205C	Long cone	1
13	1213233C	Stiffening ring	2
14	1784202C	Rigid cone, inner tube	1
15	1782211C	Locking ring, inner tube	1
16	90SL2043C	Shield, complete	1
17	950-463B	Decal "DANGER - Rotating driveline, keep away" outer shield	1
18	950-464B	Decal "DANGER - Guard missing, do not operate" outer tube	1
	050-0402	Driveline, complete	-



Ref.	Part #	Description	Qty.
1	1026010C	PTO yoke (tractor end)	1
2	1006020C	Cross & bearing	2
3	1706027C	Yoke, outer tube	1
4	003-2204	Roll pin Ø10x80	1
5	1528048C	Outer tube	1
6	1526048C	Inner tube	1
7	000-016E	Roll pin Ø10x70	1
8	1706029C	Yoke, inner tube	1
9	1346018C	Slip clutch, complete (implement end)	1
10	003-0156	Nut PT M10-1.50 C6 ZC	8
11	1215012C	Spring	8
12	1706005C	Yoke, slip clutch	1
13	1705009C	Bushing	1
14	1805010C	Friction disc	2
15	000-1075	Nut HH M12-1.25 C6 ZC TK	2
16	000-1077	Washer lock Ø12 Z	2
17	1705005C	Body, slip clutch	1
18	000-5672	Bolt HH M12-1.25x70 C 8.8 Z P	2
19	1135008C	Inner disc	1
20	1135007C	Pressure disc	1
21	001-9360	Bolt HH M10-1.50x85 C 8.8 Z P	8
22	90SC6038C	Shield, complete	1
23	1006065C	Chain, anti-rotation	2
24	1786710C	Locking ring, outer tube	1
25	1215733C	Stiffening ring	2
26	1785703C	Standard cone	1
27	1215735C	Stop ring	2
28	1885709C	Safety sleeve	2
29	1776038C	Shield, outer tube	1
30	1877038C	Shield, inner tube	1
31	1785702C	Extra short cone	1
32	1786711C	Locking ring, inner tube	1
33	950-463B	Decal "DANGER - Rotating driveline, keep away" outer shield	1
34	950-464B	Decal "DANGER - Guard missing, do not operate" outer tube	1
	050-0427	Driveline w/slip clutch, complete	-

Use only original spare parts

All rights reserved. It is unlawful to copy, reprint or use any of the information or details in this manual without the expressed written permission of the Company. Technical information provided in this manual is approximate, the Company reserves the right to modify or improve the models shown for technical or commercial purposes. Pictures in this manual do not necessarily show the machine as delivered.

BEFCO[®]

P.O. Box 6036
Rocky Mount, NC 27802-6036
Tel.: 252.977.9920 - Fax: 252.977.9718
www.befco.com

