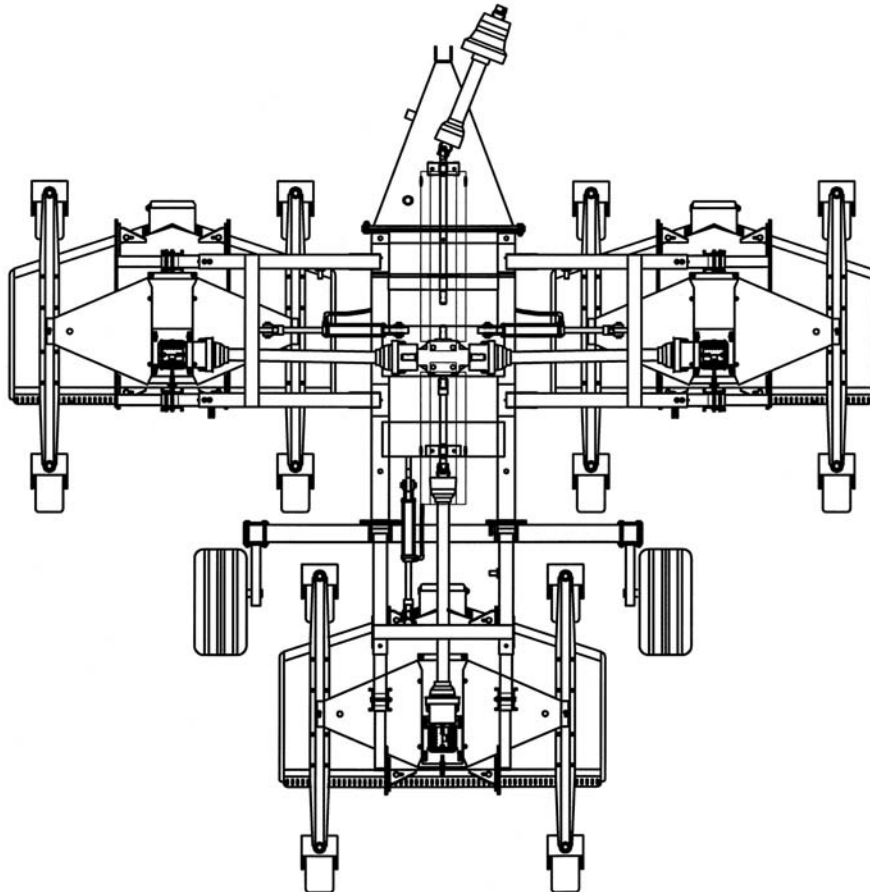


BEFCO®

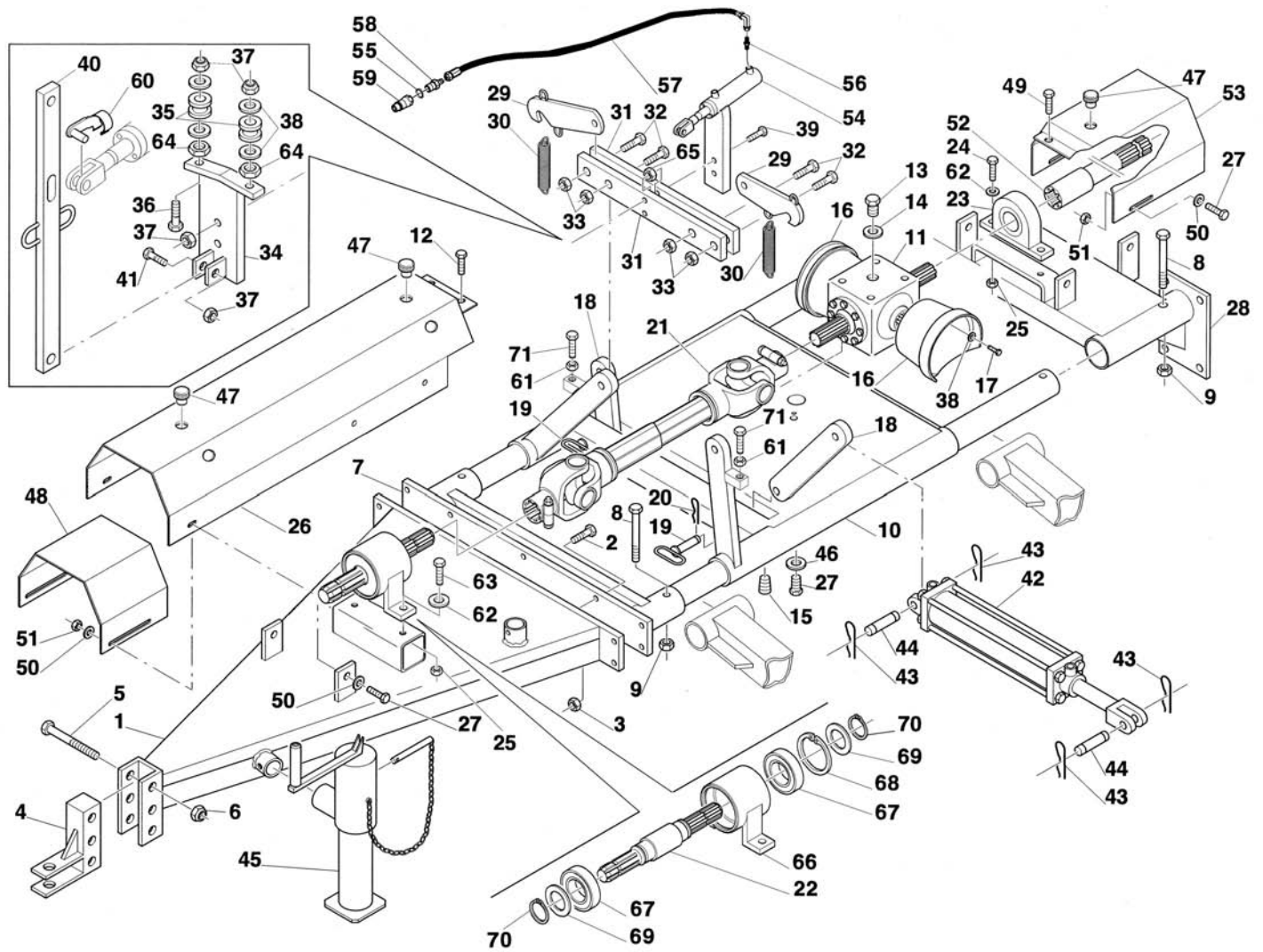
Parts Manual

CYCLONE SUPER-FLEX

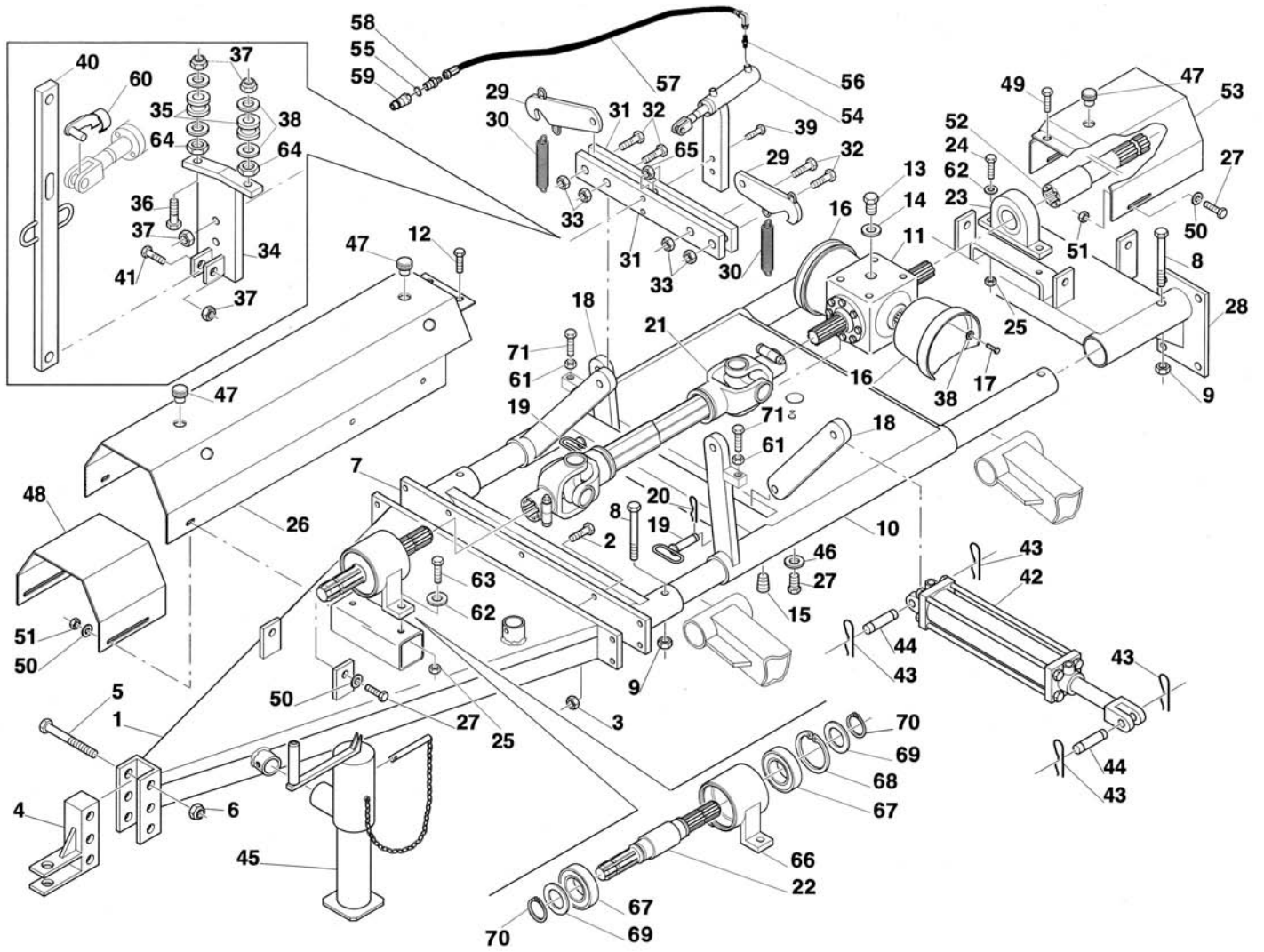
**Gang Grooming Mower
412-SFL, 415-SFL**



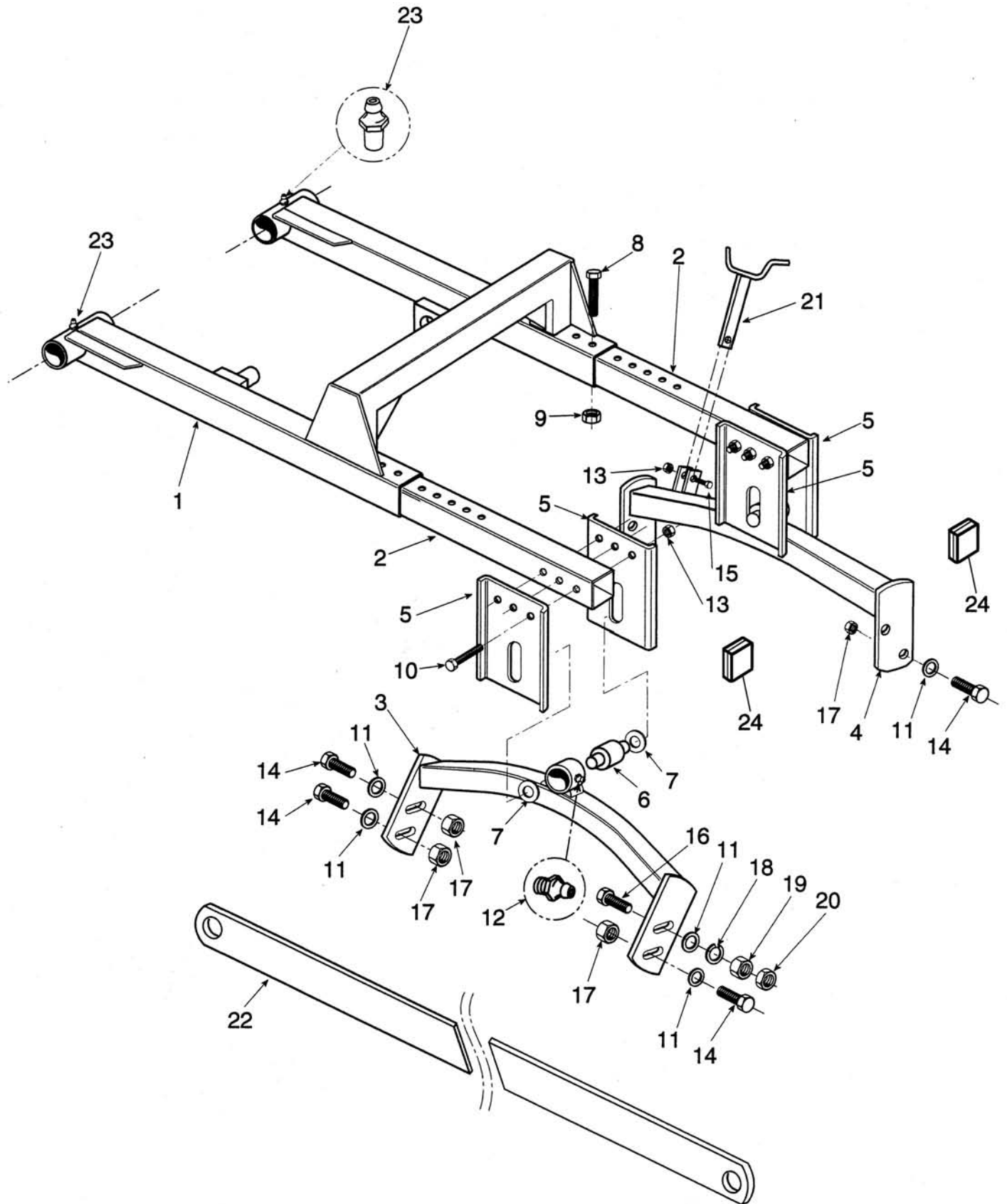
**Manual 960-208B
November 2010**



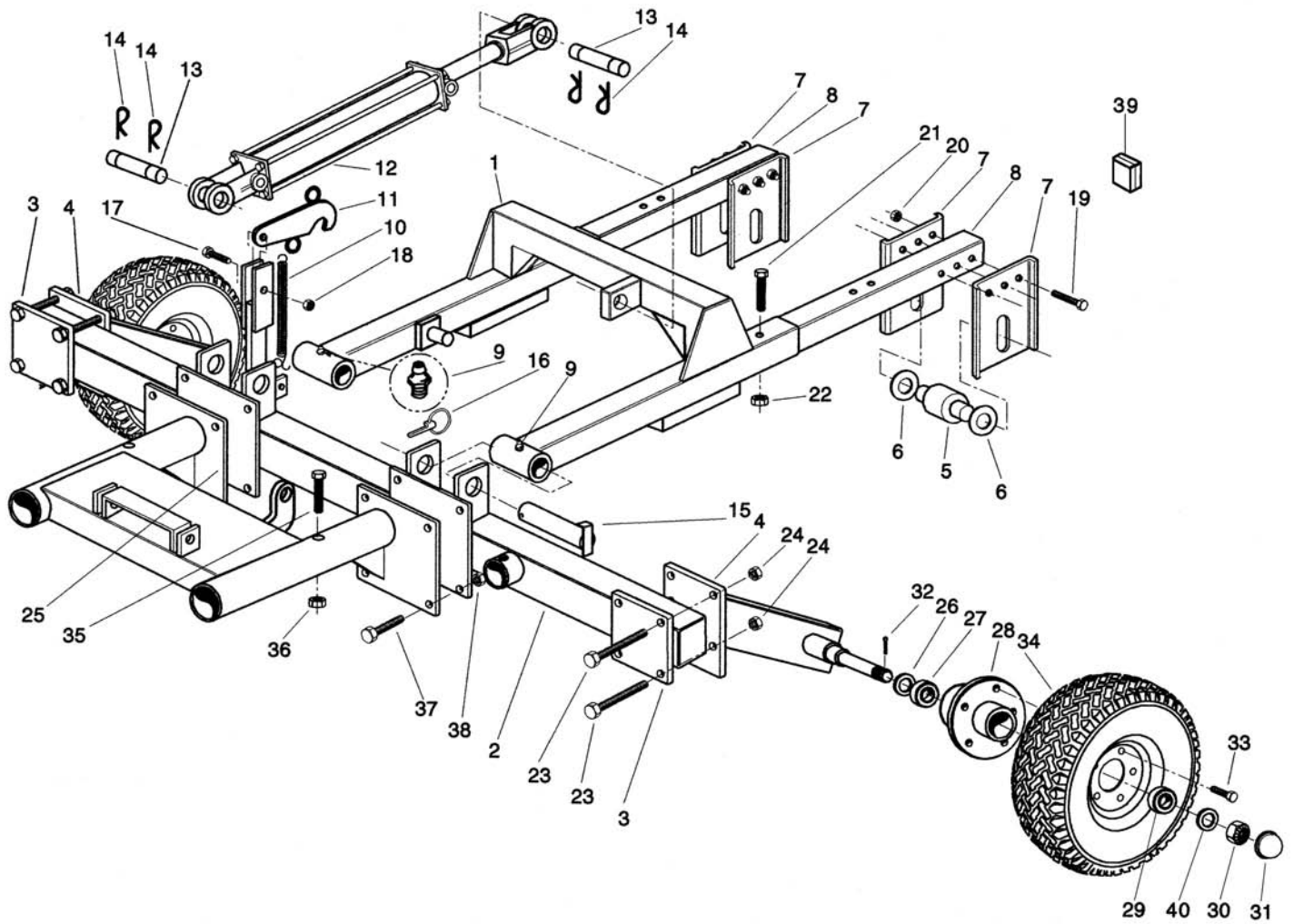
Ref.	Part #	Description	Qty.
1	005-8022	Drawbar	1
2	006-4377	Bolt HH M18-2.50x45 C8.8 Z F	8
3	001-7506	Nut PT M18-2.50 C6 Z TK	8
4	005-8031	Front hitch	1
	005-8050	Front floating hitch (option)	1
5	003-7368	Bolt HH M14-2.00x120 C8.8 Z P	3
6	000-7224	Nut ES M14-2.00 Z TK	3
7	002-8042	Central frame hitch	1
8	002-3574	Bolt HH M16-2.00x120 C8.8 N P	4
9	000-2370	Nut HH M16-2.00 C6 N MD	4
10	002-8070	Main frame	1
11	050-0617	Gearbox, complete	1
12	006-4648	Bolt HH M12-1.75x20 C8.8 Z F	2
13	000-1107A	Breather cap	1
14	000-6691	Gasket	1
15	005-3446	Drain plug	1
16	000-8663	Shaft protection	2
17	000-6349	Bolt HH M10-1.50x20 C8.8 Z F	8
18	000-9173	Hitch plate	2
19	000-9201	Pin	2
20	009-1507	Hairpin cotter Ø4 Z	2
21	000-9264	Joint; Ver. F & below	1
	050-0485	PTO shaft, complete; Ver. G & above	1
22	000-9590	Input shaft; Ver. F & below	1
	002-7366	Input shaft; Ver. G & above	1
23	000-9223	Support, input shaft SAP 207	1
24	003-7349	Bolt HH M14-2.00x45 C8.8 Z F	2
25	003-0358	Nut PT M14-2.00 C6 Z TK	4
26	000-9701	Shaft protection; Ver. F & below	1
	002-8210	Shaft protection; Ver. G & above	1
27	001-5255	Bolt HH M12-1.75x30 C8.8 Z F	8
28	002-8090	Hitch, rear frame; 412, 415-SFL	1
29	000-9721	Transport hook	3
30	005-1740	Spring	3
31	000-9711	Hook support plate; Ver. H (#270189) & below	1
	000-9712	Hook support plate; Ver. I (#270190) & above	2
32	003-3218	Bolt HH M16-2.00x55 C8.8 Z P	4
33	000-5581	Nut PT M16-2.00 C6 Z TK	4
34	000-9731	Bracket, unlocking handle	1
35	000-9476	Pulley, nylon	2
36	003-0334	Bolt HH M10-1.50x55 C8.8 Z F	2
37	003-0156	Nut PT M10-1.50 C6 TK Z	5
38	000-2034	Washer flat Ø10 W	12
39	003-2619	Bolt HH M10-1.50x65 C8.8 Z P	2
40	000-9737	Handle, unlocking	1
	000-9740	Handle, unlocking (optional hydraulic unlocking kit)	1
41	003-8614	Bolt HH M10-1.50x40 C8.8 Z F	1
42	503-034B	Hydraulic cylinder	3
	502-757B	Repair kit for cylinder 503-034B	-
43	502-172B	Clip hairpin 0.105"x2.00" Z	12
44	502-171B	Pin, hyd. cylinder 1.00"x3.40" Z	6



Ref.	Part #	Description	Qty.
45	502-098B	Jack stand	1
46	000-1077	Washer lock Ø12 Z	4
47	000-6647	Cap	7
48	000-9702	Protection extension, input shaft	1
49	000-3037	Bolt HH M12-1.75x25 C8.8 Z F	2
50	007-6106	Washer fender Ø12 Z	6
51	009-4139	Nut ES M12-1.75 TN Z	4
52	002-8310	Input shaft	1
53	002-8213	Protection, input shaft	1
54	002-3962	Hydraulic cylinder (optional hydraulic unlocking kit)	1
55	003-6532	Washer copper 1/2" (optional hydraulic unlocking kit)	1
56	008-2484	Nipple 1/4" (optional hydraulic unlocking kit)	1
57	005-7111	Tube R1 1/4"x2300 (optional hydraulic unlocking kit)	1
58	008-2488	Nipple 1/4"-1/2" (optional hydraulic unlocking kit)	1
59	004-1871	Quick connector 1/2" (optional hydraulic unlocking kit)	1
60	002-3964	Jack fixing pin (optional hydraulic unlocking kit)	1
61	000-1106	Nut HH M12-1.75 C6 Z MD; Ver. I (#270190) & above	2
62	009-1435	Washer flat Ø14 W	4
63	000-1526	Bolt HH M14-2.00x35 C8.8 Z F; Ver. G & above	2
64	000-1279	Nut HH M10-1.50 C6 TK Z	2
65	000-2366	Nut HH M16-2.00 C6 Z TK	2
66	002-7360	Support, input shaft; Ver. G & above	1
67	005-5358A	Bearing 6208-2RS	2
68	000-1154	Snap ring, inner Ø80	1
69	005-3248	Shim Ø40x50x2	2
70	000-8138	Snap ring, outer Ø40	2
71	002-3265	Bolt HH M12-1.75x40 C8.8 Z F; Ver. I (#270190) & above	2
	503-854B	Light kit, complete (optional road transport kit)	1
	7900003	Rear light kit bracket, right (optional road transport kit)	1
	7900002	Rear light kit bracket, left (optional road transport kit)	1
	503-852B	Safety chain (optional road transport kit)	1
	950-352B	Sign, SMV (optional road transport kit)	1
	503-868B	Mounting bracket, SMV (optional road transport kit)	1
	001-5031	Block washer (optional road transport kit)	1
	000-6827	Spacer (optional road transport kit)	1
	008-9245	Bolt HH M14-2.00x150 C8.8 N P (optional road transport kit)	1
	960-208B	Parts Manual (412, 415-SFL)	1
	961-208B	Operator's Manual (412, 415, 417, 420-SFL)	1
	503-888B	Decal, safety kit flex mower	1
	950-395B	Decal "Cyclone Super-Flex"	1
	950-107B	Decal "BEFCO"	6
	950-298B	Decal "Cyclone"	3
	950-381B	Decal "BEFCO INC." address	1
	950-358B	Decal "Made in USA"	1
	950-235B	Decal "C50"	3
	950-325B	Decal "SF4" (412-SFL)	2
	950-326B	Decal "SF5" (412, 415-SFL)	-
	950-816B	Decal "SF6" (415-SFL)	1



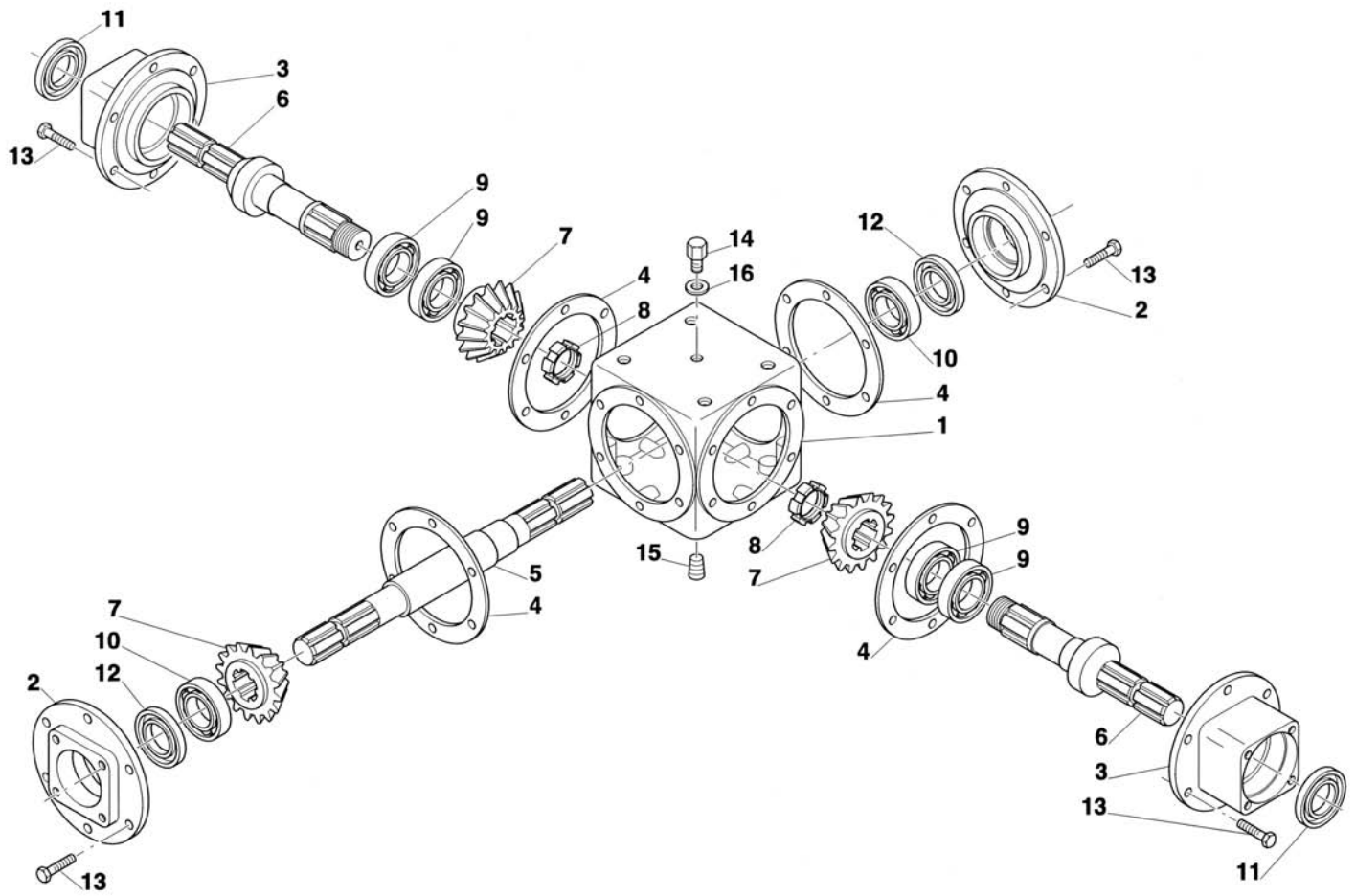
Ref.	Part #	Description	Qty.
1	012-8050	Lift side, right; 412, 415-SFL	1
	022-8050	Lift side, left; 412, 415-SFL	1
2	002-7147	Lift arm	4
3	012-8420	Front hitch, right; 412-SFL	1
	012-8540	Front hitch, right; 415-SFL	1
	022-8420	Front hitch, left; 412-SFL	1
	022-8540	Front hitch, left; 415-SFL	1
4	012-8430	Rear hitch, right; 412-SFL	1
	002-7470	Rear hitch, right; 415-SFL	1
	022-8430	Rear hitch, left; 412-SFL	1
	012-7470	Rear hitch, left; 415-SFL	1
5	008-2176	Hitch plate	8
6	002-7476	Hitch pin	4
7	000-3056	Washer flat Ø30 Y	8
8	003-0285	Bolt HH M14-2.00x100 C8.8 Z P	8
9	000-7224	Nut ES M14-2.00 Z TK	8
10	001-1292	Bolt HH M12-1.75x110 C8.8 Z P	12
11	001-7354	Washer fender Ø16 Z	16
12	000-1065	Grease fitting M10-1.00	8
13	003-0064	Nut PT M12-1.75 C6 TK Z	14
14	009-1038	Bolt HH M16-2.00x50 C8.8 Z F	14
15	000-7716	Bolt HH M12-1.75x45 C8.8 Z F	2
16	003-0309	Bolt HH M16-2.00x70 C8.8 Z F	2
17	000-5581	Nut PT M16-2.00 C6 Z TK	14
18	000-2367	Washer lock Ø16 Z	2
19	000-2366	Nut HH M16-2.00 C6 Z TK	2
20	000-3124	Nut HH M16-2.00 C6 Z MD	2
21	002-8330	Kick-out bracket; 412-SFL	2
	002-8337	Kick-out bracket; 415-SFL	2
22	002-8457	Safety tie rod; 412-SFL	1
	002-8577	Safety tie rod; 415-SFL	1
23	000-6635	Grease fitting Ø6, press in	4
24	002-8150	Plastic cap 70 mm.	4



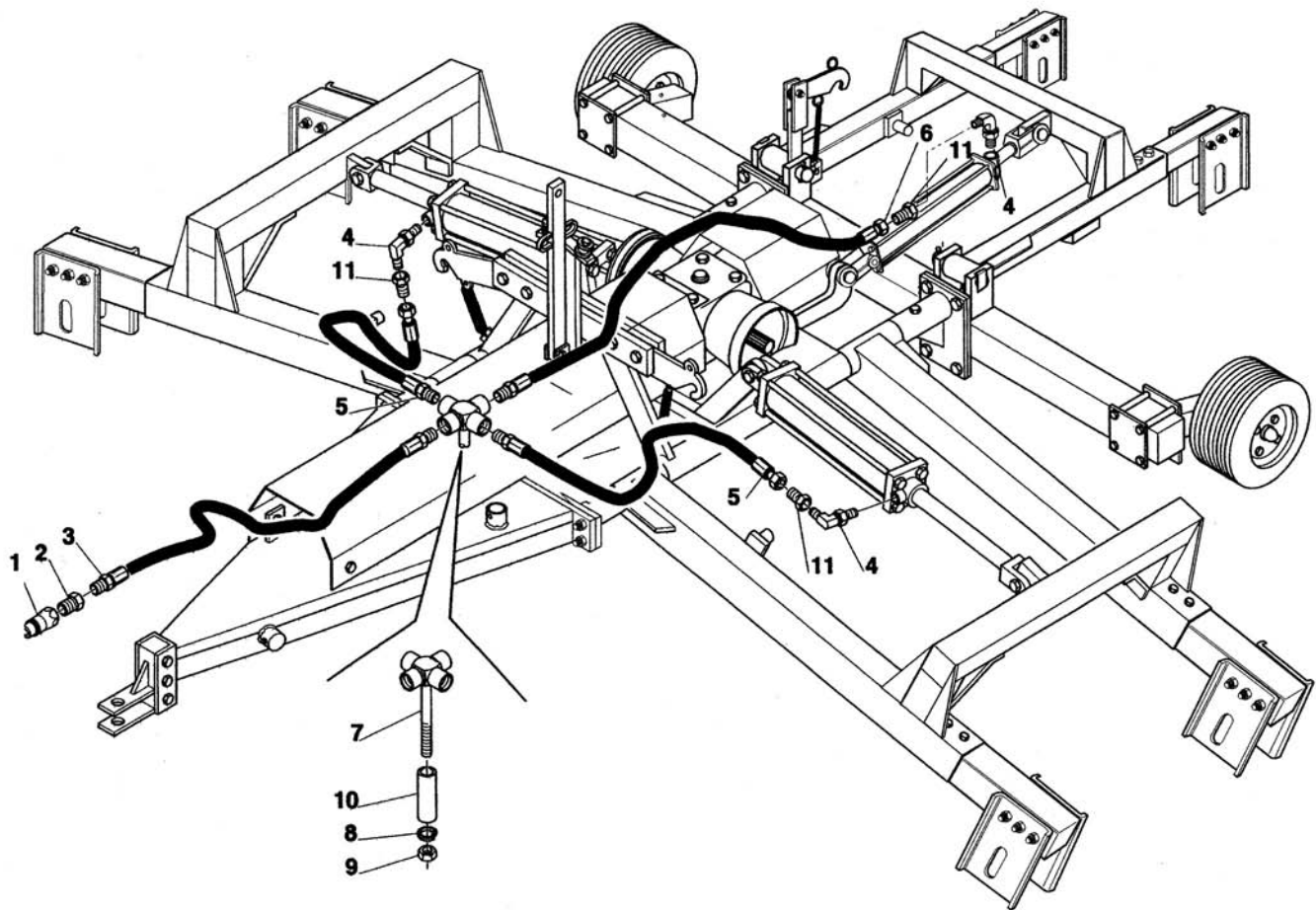
Ref.	Part #	Description	Qty.
1	002-8130	Lift, rear; 412, 415-SFL	1
2	002-8110	Frame, rear; 412, 415-SFL	1
3	000-9777	Back plate	2
4	012-7330	Wheel support, right; Ver. F & below ¹	1
	012-7340	Wheel support, right; Ver. G & above	1
	022-7330	Wheel support, left; Ver. F & below ²	1
	022-7340	Wheel support, left; Ver. G & above	1
5	002-7476	Hitch pin	2
6	000-3056	Washer flat Ø30 Y	4
7	008-2176	Hitch plate	4
8	002-7144	Lift arm, rear	2
9	000-1065	Grease fitting M10-1.00	2
10	005-1740	Spring	1
11	000-9721	Transport hook	1
12	503-034B	Hydraulic cylinder	1
	502-757B	Repair kit for cylinder 503-034B	-
13	502-171B	Pin, hyd. cylinder 1.00"x3.40" Z	2
14	502-172B	Clip hairpin 0.105"x2.00" Z	4
15	005-8312	Pin, rear lift	2
16	001-8266	Lynch pin Ø11x45	2
17	005-1965	Bolt HH M16-2.00x65 C8.8 Z P	1
18	000-5581	Nut PT M16-2.00 C6 Z TK	1
19	001-1292	Bolt HH M12-1.75x110 C8.8 Z P	6
20	003-0064	Nut PT M12-1.75 C6 TK Z	6
21	003-0285	Bolt HH M14-2.00x100 C8.8 Z P	2
22	000-7224	Nut ES M14-2.00 Z TK	2
23	000-6615	Bolt HH M14-2.00x140 C8.8 Z P	8
24	003-0358	Nut PT M14-2.00 C6 Z TK	8
25	002-8090	Hitch, rear frame; 412, 415-SFL	1
26	503-480B	Oil seal TCM 15262 VH; Ver. F & below	2
	503-947B	Oil seal TCM 162564 VHY; Ver. G & above	2
27	503-481B	Bearing LM 48548/10; Ver. F & below	2
	503-945B	Bearing JL69349/10; Ver. G & above	2
28	503-487B	Hub, wheel; Ver. F & below	2
	503-948B	Hub, wheel; Ver. G & above	2
29	503-482B	Bearing LM 67048/10	2
30	503-484B	Nut CA 7/8"-14 Z	2
31	170-8013	Bearing buddy	2
	170-8014	Bra, bearing buddy (not shown)	2
32	503-485B	Pin cotter 5/32"x1.50" N	2
33	503-486B	Bolt LUG ½"-20x1.50" G5 Z	12
34	170-8006	Wheel, complete	2
35	002-3574	Bolt HH M16-2.00x120 C8.8 N P	2
36	000-2370	Nut HH M16-2.00 C6 N MD	2
37	006-4377	Bolt HH M18-2.50x45 C8.8 Z F	8
38	001-7506	Nut PT M18-2.50 C6 Z TK	8
39	002-8150	Plastic cap 70 mm.	2
40	503-483B	Washer flat Ø24 Z	4

¹ Right wheel support no longer available, to replace order; one (1) right wheel support 012-7340, one (1) oil seal 503-947B, one (1) bearing 503-945B and one (1) hub 503-948B.

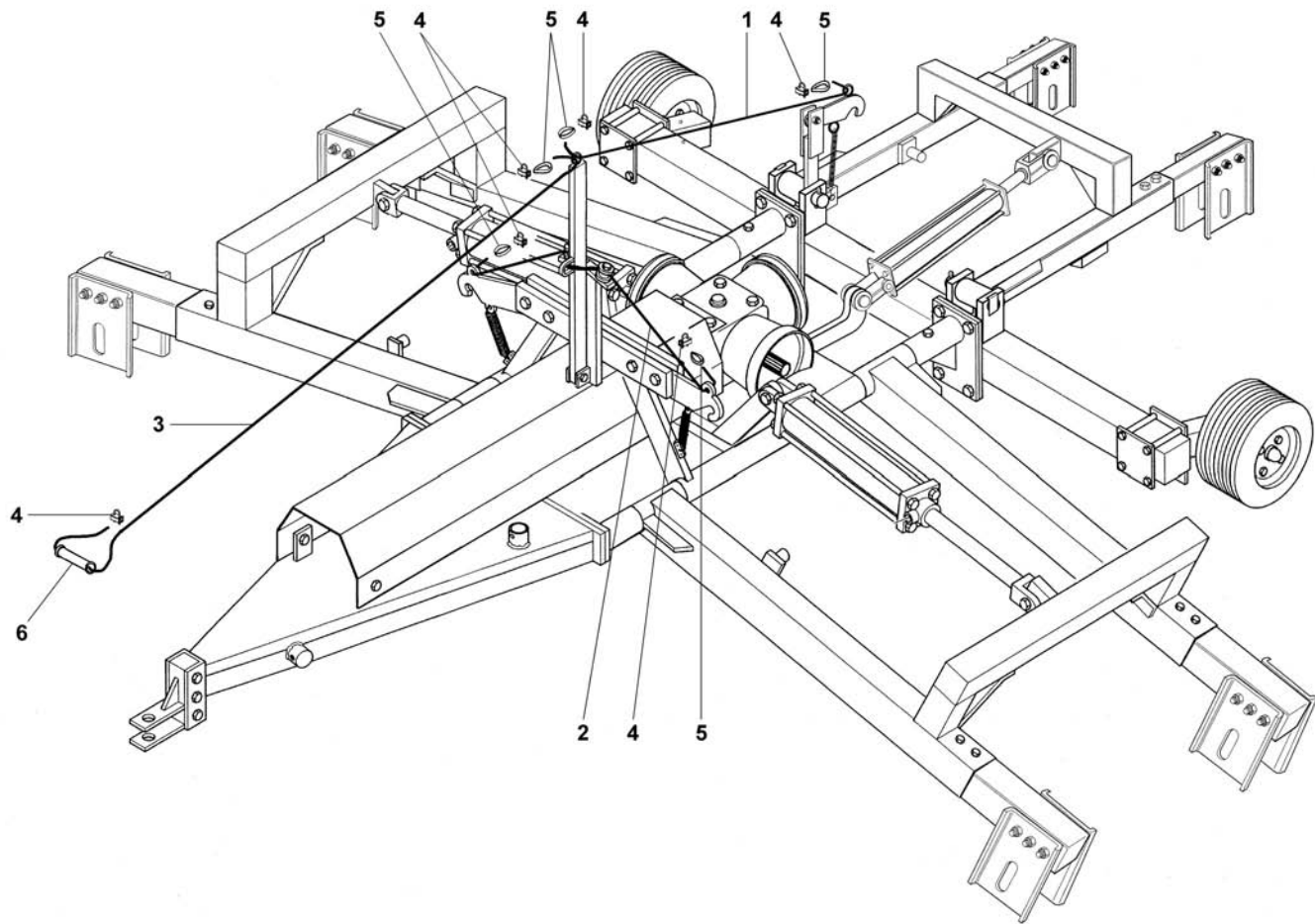
² Left wheel support no longer available, to replace order; one (1) left wheel support 022-7340, one (1) oil seal 503-947B, one (1) bearing 503-945B and one (1) hub 503-948B.



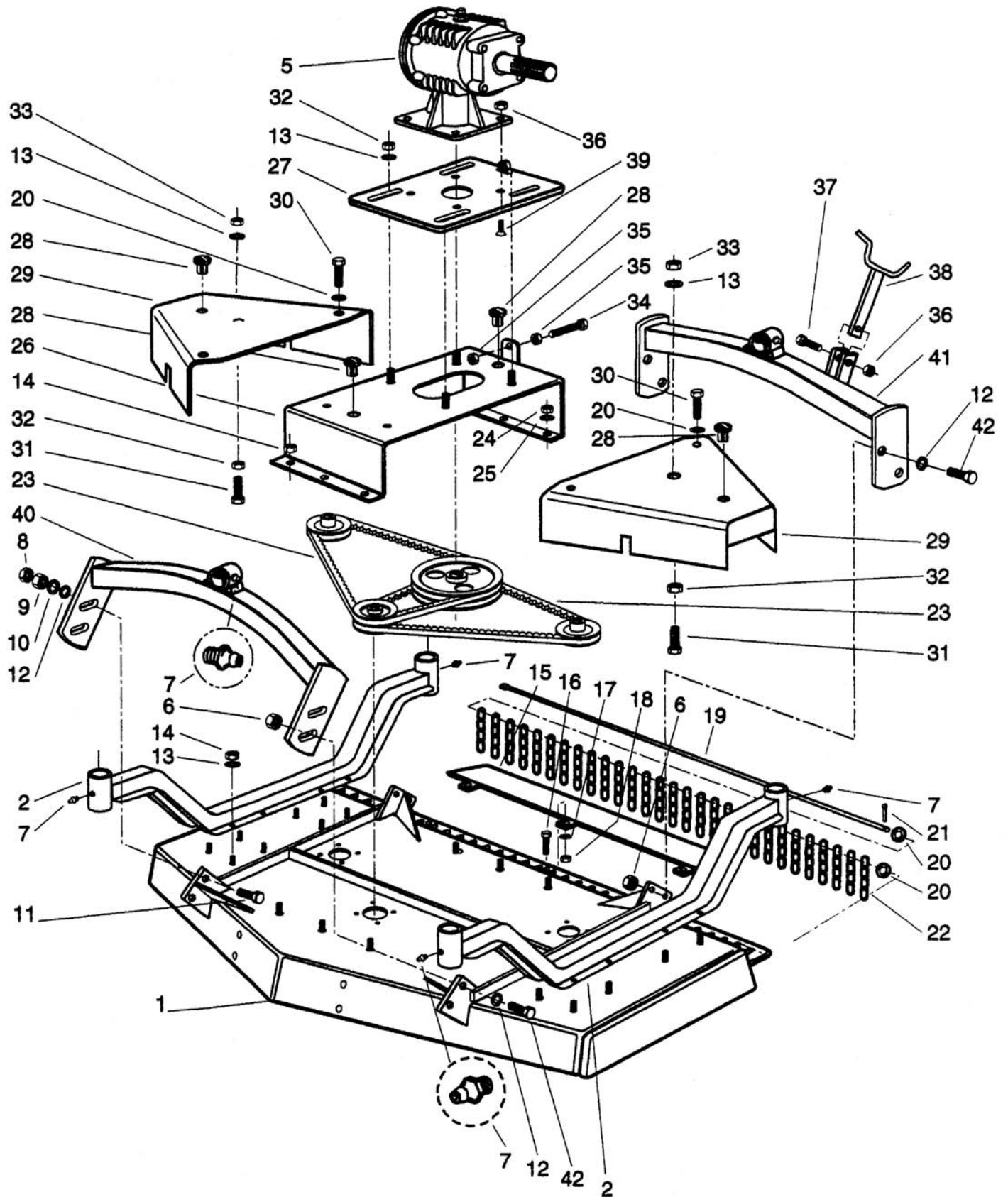
Ref.	Part #	Description	Qty.
1	000-9970	Housing, gearbox	1
2	000-9971	Front cover, gearbox housing	2
3	000-9972	Lateral support, gearbox housing	2
4	003-0193	Gasket 2/10	-
	013-0193	Gasket 5/10	-
5	000-9975	Input shaft	1
6	000-9976	Output shaft	2
7	000-9973	Ring gear	3
8	003-7098	Locking ring ES GUK M35-1.50	2
9	003-0201	Bearing 30208	4
10	000-7172A	Bearing 30207	2
11	000-7094	Oil seal 52.85.10	2
12	000-9974	Oil seal 35.55.10	2
13	000-1241	Bolt HH M10-1.50x25 C8.8 N F	24
14	000-1107A	Breather cap	1
15	005-3446	Drain plug	1
16	000-6691	Gasket	1
	050-0617	Main gearbox, complete	-



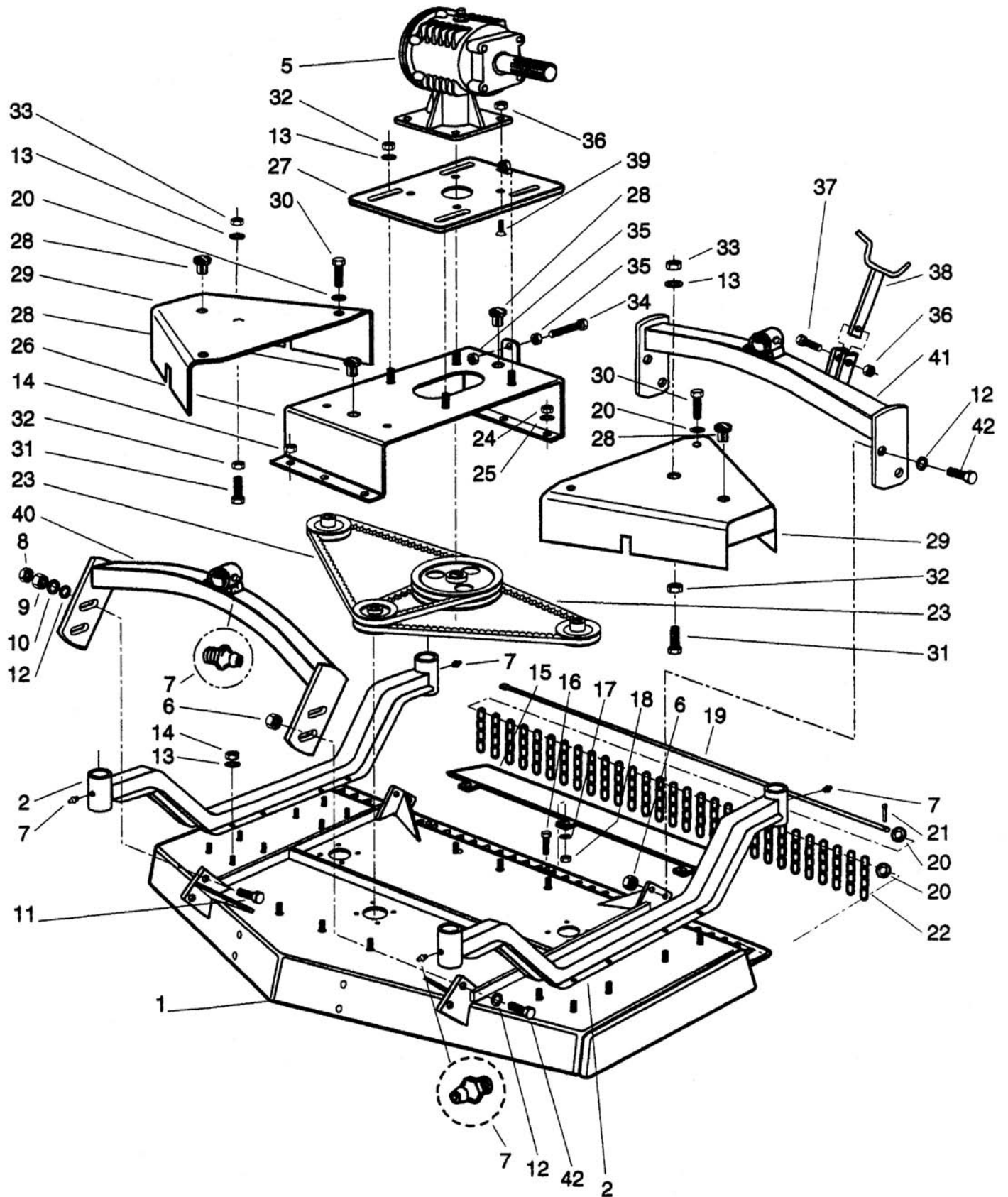
Ref.	Part #	Description	Qty.
1	502-170B	1/2" quick connect nipple 1/2" FP	1
2	502-169B	Reducer 3/8"-1/2"	1
3	502-166B	Hydraulic hose 87", front	1
4	502-163B	90° OR fitting	3
5	502-168B	Hydraulic hose 39", side	2
6	503-477B	Hydraulic hose 79", rear	1
7	502-165B	Hyd. cross 3/8" MNPT	1
8	000-1077	Washer lock Ø12 Z	1
9	000-3038	Nut HH M12-1.75 C6 Z TK	1
10	002-1285	Spacer	1
11	502-164B	Adaptor 3/8" NPT with 1/16" restrictor	3



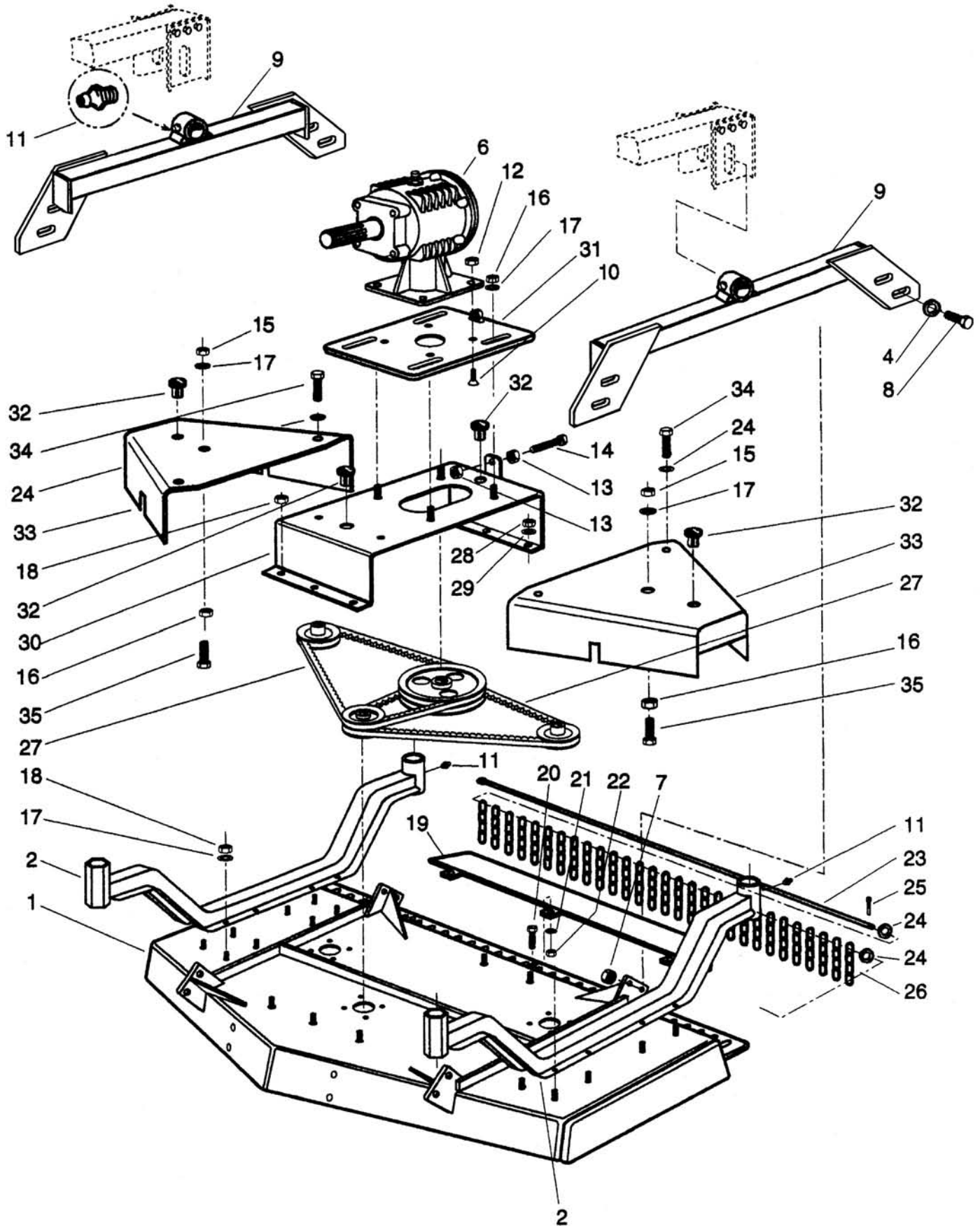
Ref.	Part #	Description	Qty.
1	005-8220	Wire rope, rear	1
2	005-8221	Wire rope, side	1
3	005-8222	Wire rope, front	1
4	005-8224	"U" clamp, complete	6
5	005-8225	Wire loop	5
6	005-8228	Handle	1



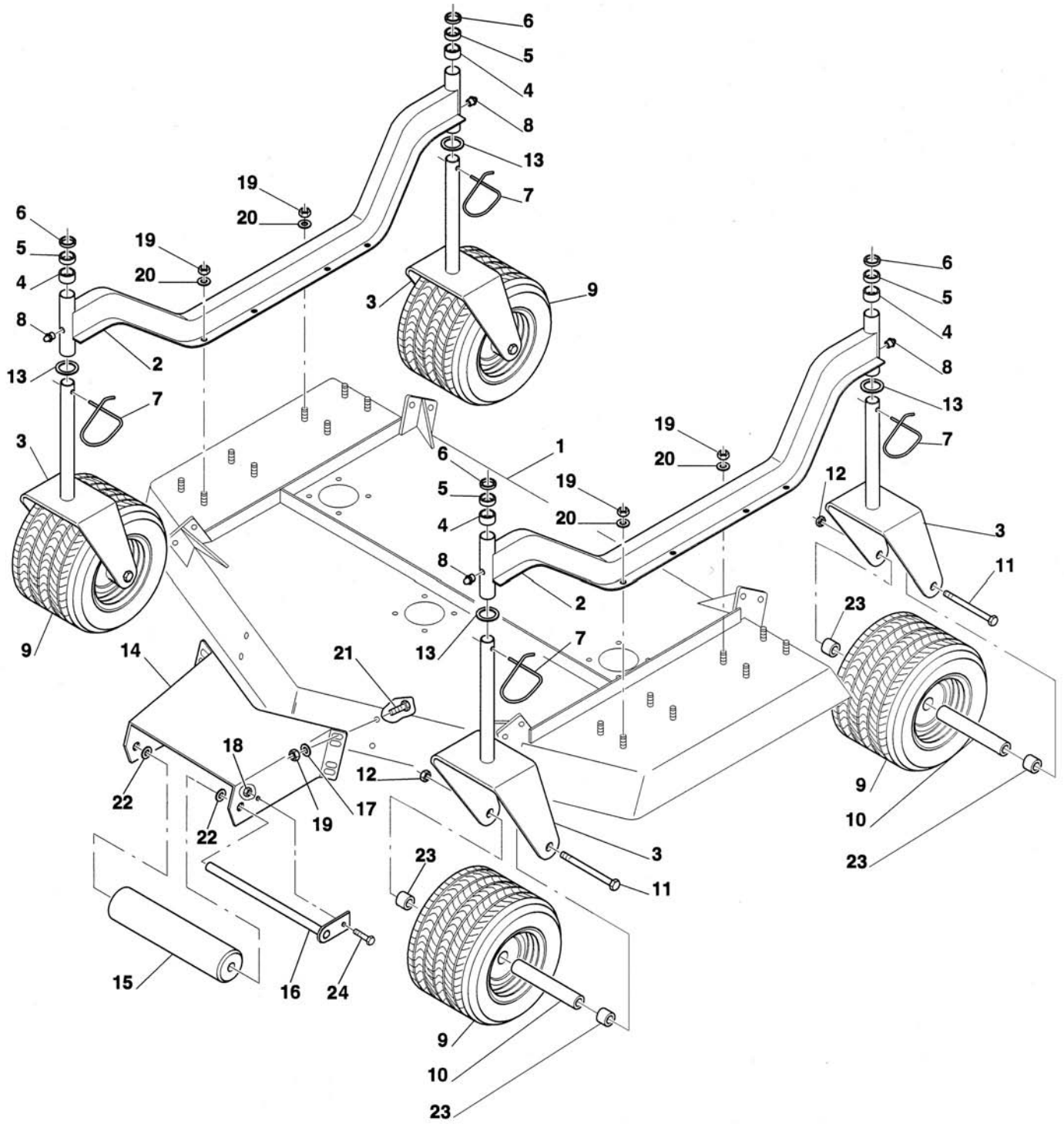
Ref.	Part #	Description	Qty.
1	010-6903	Frame 4' rear discharge; 412-SFL	2
	020-6903	Frame 5' rear discharge; 415-SFL	2
2	012-8370	Wheel arm 4' frame; 412-SFL	4
	022-8370	Wheel arm 5' frame; 415-SFL	4
5	050-0642	Gearbox, complete	2
6	000-5581	Nut PT M16-2.00 C6 Z TK	14
7	000-1065	Grease fitting M10-1.00	12
8	000-3124	Nut HH M16-2.00 C6 Z MD	2
9	000-2366	Nut HH M16-2.00 C6 Z TK	2
10	000-2367	Washer lock Ø16 Z	2
11	003-0309	Bolt HH M16-2.00x70 C8.8 Z F	2
12	001-7354	Washer fender Ø16 Z	16
13	003-0157	Washer fender Ø10 Z	44
14	003-0156	Nut PT M10-1.50 C6 TK Z	38
15	002-0415	Rear protection, inner; 412, 415-SFL	4
	002-0411	Rear protection 5' frame, outer; 415-SFL	4
16	001-5012	Bolt HH M08-1.25x20 C8.8 Z F	6
17	000-3144	Washer lock Ø8 Z	6
18	000-1806	Nut HH M08-1.25 C6 Z TK	6
19	010-6762	Chain rod 4' frame; 412-SFL	2
	020-6762	Chain rod 5' frame; 415-SFL	2
20	000-2034	Washer flat Ø10 W	20
21	004-4156	Cotter pin Ø4x25	2
22	000-6764	Chain links	-
23	000-6798	Belt 5VX630; 412-SFL	4
	000-6693	Belt 5VX710; 415-SFL	4
24	000-1279	Nut HH M10-1.50 C6 TK Z	6
25	000-1280	Washer lock Ø10 Z	6
26	000-6904	Central plate 4' frame; 412-SFL	2
	000-6875	Central plate 5' frame; 415-SFL	2
27	000-6541	Support plate, gearbox	2
28	000-6647	Cap	8
29	010-6989	Belt shield 4' w/o tab; 412-SFL	4
	020-6989	Belt shield 5' w/o tab; 415-SFL	4
30	003-3176	Bolt HH M10-1.50x25 C8.8 Z F	8
31	000-6943	Bolt HH M10-1.50x120 C8.8 Z F	4
32	001-4106	Nut ES M10-1.50 Z TK	12
33	001-5237	Nut ES M10-1.50 Z TN	4
34	000-6547	Bolt HH M12-1.75x100 C8.8 Z F	2
35	000-1106	Nut HH M12-1.75 C6 Z MD	4
36	003-0064	Nut PT M12-1.75 C6 TK Z	10
37	000-7716	Bolt HH M12-1.75x45 C8.8 Z F	2
38	002-8330	Kick-out bracket, 4' frame; 412-SFL	2
	002-8337	Kick-out bracket, 5' frame; 415-SFL	2
39	007-4183	Bolt CS M12-1.75x40 C10.9 Z F	8



Ref.	Part #	Description	Qty.
40	012-8420	Front hitch 4' right frame; 412-SFL	1
	022-8420	Front hitch 4' left frame; 412-SFL	1
	012-8540	Front hitch 5' right frame; 415-SFL	1
	022-8540	Front hitch 5' left frame; 415-SFL	1
41	012-8430	Rear hitch 4' right frame; 412-SFL	1
	022-8430	Rear hitch 4' left frame; 412-SFL	1
	002-7470	Rear hitch 5' right frame; 415-SFL	1
	012-7470	Rear hitch 5' left frame; 415-SFL	1
42	009-1038	Bolt HH M16-2.00x50 C8.8 Z F	14

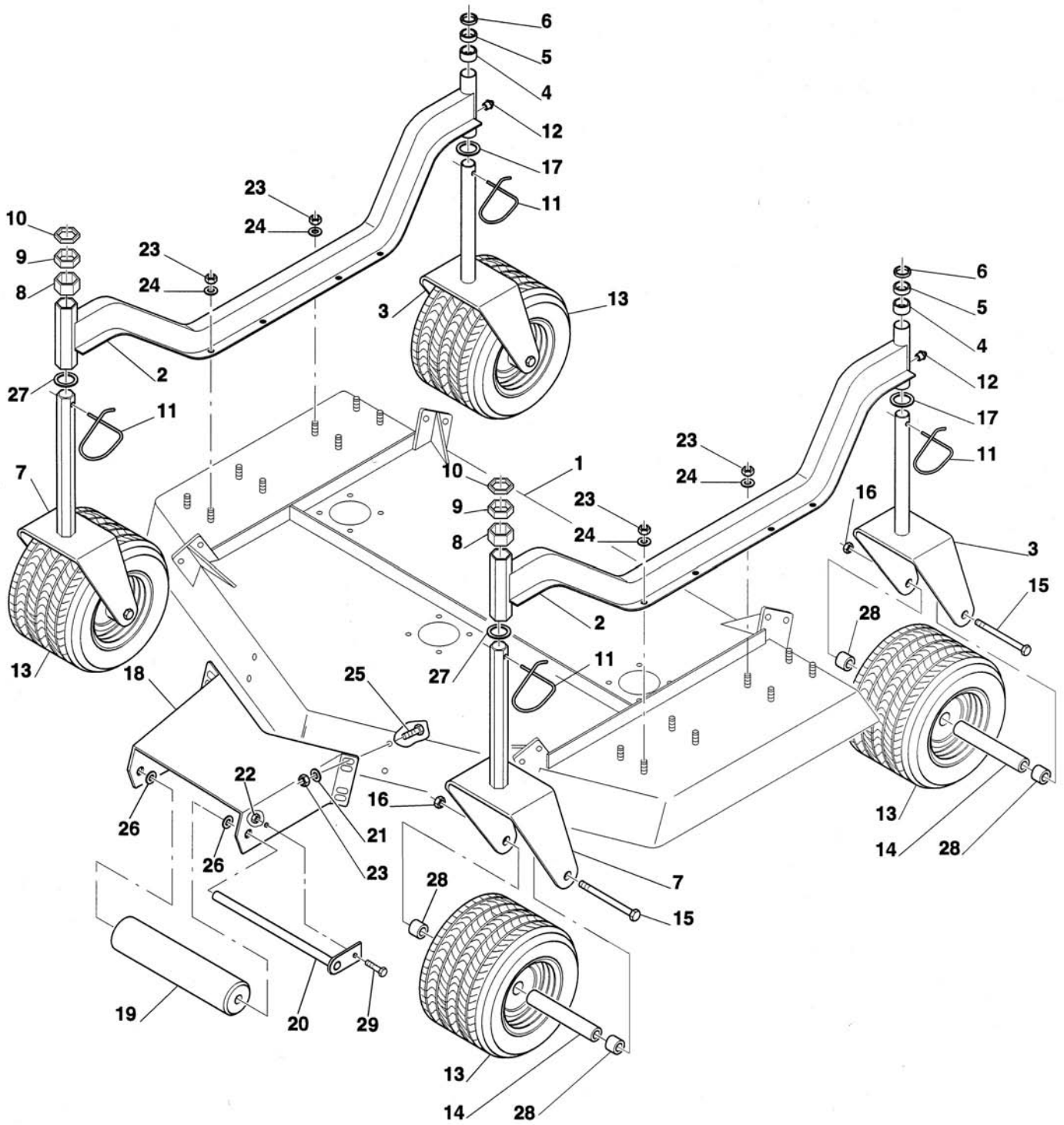


Ref.	Part #	Description	Qty.
1	020-6903	Frame 5' rear discharge; 412-SFL	1
	030-6900	Frame 6' rear discharge; 415-SFL	1
2	022-8380	Wheel arm hex, 5' frame; 412-SFL	2
	032-8380	Wheel arm hex, 6' frame; 415-SFL	2
4	001-7354	Washer fender Ø16 Z	8
6	050-0642	Gearbox, complete	1
7	000-5581	Nut PT M16-2.00 C6 Z TK	8
8	009-1038	Bolt HH M16-2.00x50 C8.8 Z F	8
9	012-8440	Right hitch 5' rear frame; 412-SFL	1
	022-8440	Left hitch 5' rear frame; 412-SFL	1
	002-7480	Right hitch 6' rear frame; 415-SFL	1
	012-7480	Left hitch 6' rear frame; 415-SFL	1
10	007-4183	Bolt CS M12-1.75x40 C10.9 Z F	4
11	000-1065	Grease fitting M10-1.00	4
12	003-0064	Nut PT M12-1.75 C6 TK Z	4
13	000-1106	Nut HH M12-1.75 C6 Z MD	2
14	000-6547	Bolt HH M12-1.75x100 C8.8 Z F	1
15	001-5237	Nut ES M10-1.50 Z TN	2
16	001-4106	Nut ES M10-1.50 Z TK	6
17	003-0157	Washer fender Ø10 Z	22
18	003-0156	Nut PT M10-1.50 C6 TK Z	19
19	002-0415	Rear protection, inner; 412, 415-SFL	2
	002-0411	Rear protection 5' frame, outer; 412-SFL	2
	002-0412	Rear protection 6' frame, outer; 415-SFL	2
20	001-5012	Bolt HH M08-1.25x20 C8.8 Z F	3
21	000-3144	Washer lock Ø8 Z	3
22	000-1806	Nut HH M08-1.25 C6 Z TK	3
23	020-6762	Chain rod 5' frame; 412-SFL	1
	030-6762	Chain rod 6' frame; 415-SFL	1
24	000-2034	Washer flat Ø10 W	10
25	004-4156	Cotter pin Ø4x25	1
26	000-6764	Chain links; 412-SFL	50
	000-6764	Chain links; 415-SFL	61
27	000-6693	Belt 5VX710; 412-SFL	2
	000-6848	Belt 5VX850; 415-SFL	2
28	000-1279	Nut HH M10-1.50 C6 TK Z	3
29	000-1280	Washer lock Ø10 Z	3
30	000-6875	Central plate 5' frame; 412-SFL	1
	000-6913	Central plate 6' frame; 415-SFL	1
31	000-6541	Support plate, gearbox	1
32	000-6647	Cap	4
33	020-6989	Belt shield 5' w/o tab; 412-SFL	2
	030-6989	Belt shield 6' w/o tab; 415-SFL	2
34	003-3176	Bolt HH M10-1.50x25 C8.8 Z F	4
35	000-6943	Bolt HH M10-1.50x120 C8.8 Z F	2



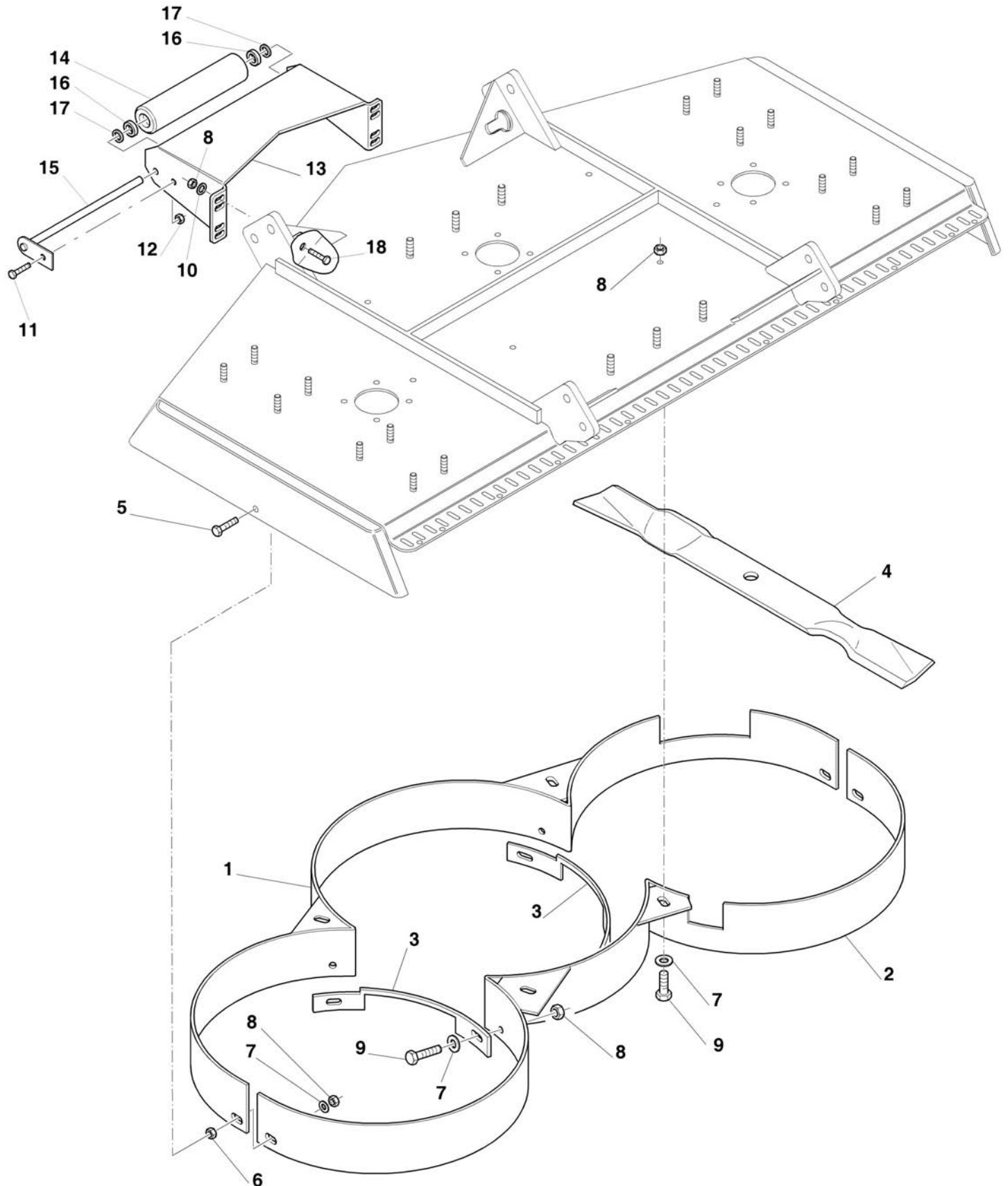
Ref.	Part #	Description	Qty.
1	010-6903	Frame 4' rear discharge; 412-SFL	2
	020-6903	Frame 5' rear discharge; 415-SFL	2
2	012-8370	Wheel arm 4' frame; 412-SFL	4
	022-8370	Wheel arm 5' frame; 415-SFL	4
3	006-7371	Wheel yoke, 13" air tire	8
4	004-4129	Spacer 1"	24
5	004-4130	Spacer ½"	8
6	006-7311	Spacer ¼"	16
7	000-8783	Pin SP, wheel yoke	8
8	000-1065	Grease fitting M10-1.00	8
9	008-4673	Wheel 13" air tire, complete; Ver. C (#262938) & below ³	8
	002-3929A	Bearing needle, air tire; Ver. C (#262938) & below (not shown)	16
	002-3930A	Retainer, wheel air tire; Ver. C (#262938) & below (not shown)	16
	006-7402	Wheel 13" air tire, complete; Ver. D (#262939) & above	8
	005-1706	Bearing 6205-2RS; Ver. D (#262939) & above (not shown)	16
	004-4134	Wheel cover, air tire; Ver. D (#262939) & above (not shown)	16
10	006-7377	Bushing, wheel 13" air tire; Ver. C (#262938) & below	8
	006-7412	Bushing, wheel 13" air tire; Ver. D (#262939) & above	8
11	002-3911	Bolt HH M20-2.50x230 C8.8 Z P	8
12	000-5507	Nut PT M20-2.50 C6 TK Z	8
13	000-5524	Washer flat Ø33 Z	8
14	000-9622	Support, front roller; Ver. G (#270189) & below	2
	006-7354	Support, front roller; Ver. H (#270190) & above	2
15	006-7358	Front roller Ø3"	2
16	006-7363	Roller pin; Ver. G (#270189) & below	2
	006-7365	Roller pin; Ver. H (#270190) & above	2
17	000-2034	Washer flat Ø10 W	8
18	001-1328	Nut PT M08-1.25 C6 Z TK	2
19	003-0156	Nut PT M10-1.50 C6 TK Z	40
20	003-0157	Washer fender Ø10 Z	32
21	000-6349	Bolt HH M10-1.50x20 C8.8 Z F	8
22	000-8568	Washer flat Ø16 W	2
23	006-7414	Spacer, wheel 13" air tire; Ver. D (#262939) & above	16
24	004-6454	Bolt HH M08-1.25x16 C8.8 Z F	2

³ Wheel no longer available, part #006-7402 should be ordered instead. Ver. C (#262938) and below must also order two (2) outer wheel spacers (#006-7414) and one (1) bushing (#006-7412) when replacing wheel.

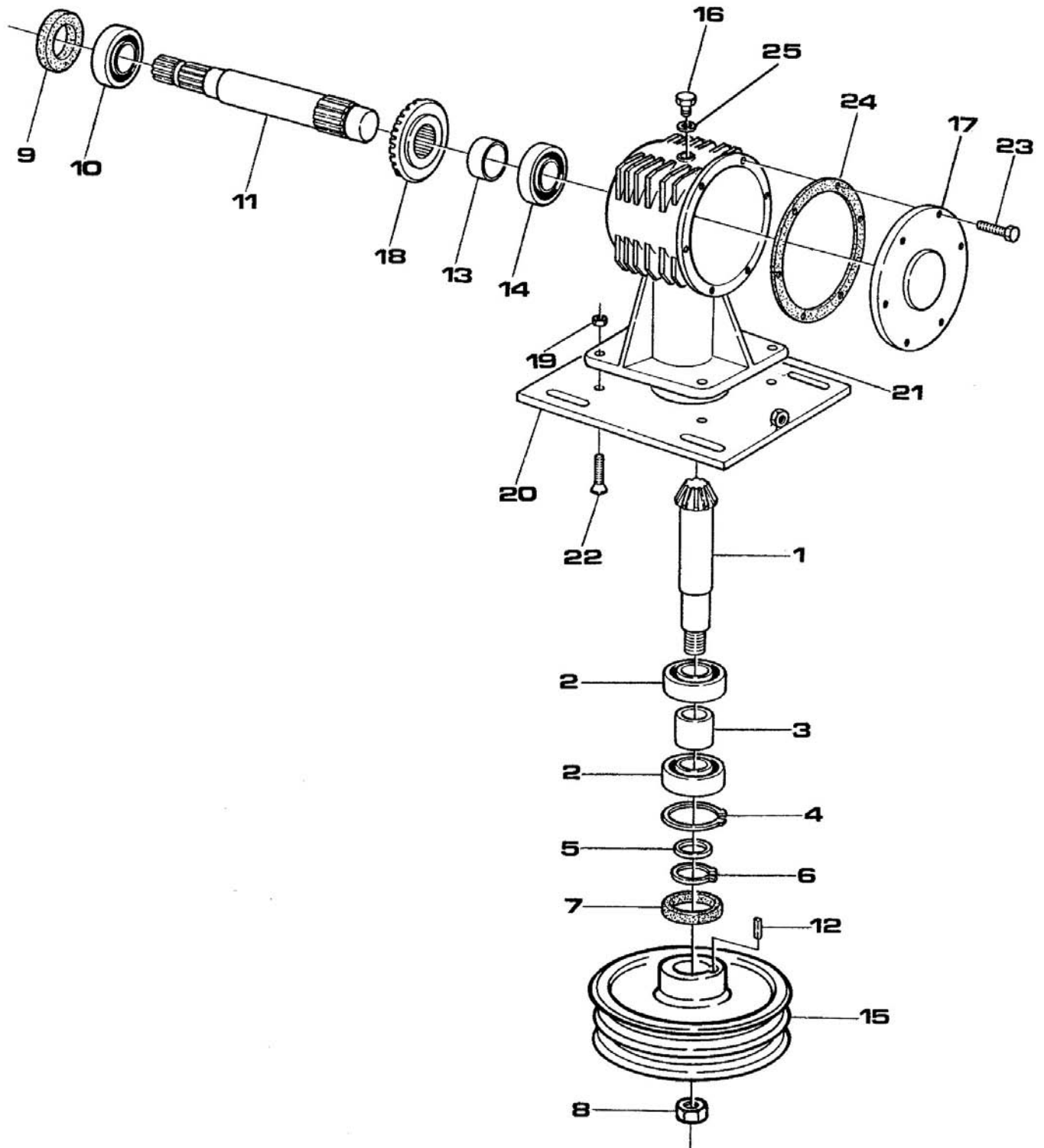


Ref.	Part #	Description	Qty.
1	020-6903	Frame 5' rear discharge; 412-SFL	1
	030-6900	Frame 6' rear discharge; 415-SFL	1
2	022-8380	Wheel arm hex, 5' frame; 412-SFL	2
	032-8380	Wheel arm hex, 6' frame; 415-SFL	2
3	006-7371	Wheel yoke round shaft, 13" air tire	2
4	004-4129	Spacer 1" round for round shaft	6
5	004-4130	Spacer ½" round for round shaft	2
6	006-7311	Spacer ¼" round for round shaft	4
7	002-7451	Wheel yoke hex shaft, 13" air tire	2
8	005-8555	Spacer 1" round for hex shaft; Ver. C & below	6
	005-8560	Spacer 1" hex for hex shaft; Ver. D & above	6
9	005-8556	Spacer ½" round for hex shaft; Ver. C & below	2
	005-8561	Spacer ½" hex for hex shaft; Ver. D & above	2
10	005-8557	Spacer ¼" round for hex shaft; Ver. C & below	4
	005-8562	Spacer ¼" hex for hex shaft; Ver. D & above	4
11	000-8783	Pin SP, wheel yoke	4
12	000-1065	Grease fitting M10-1.00	2
13	008-4673	Wheel 13" air tire, complete; Ver. C (#262938) & below ⁴	4
	002-3929A	Bearing needle, air tire; Ver. C (#262938) & below (not shown)	8
	002-3930A	Retainer, wheel air tire; Ver. C (#262938) & below (not shown)	8
	006-7402	Wheel 13" air tire, complete; Ver. D (#262939) & above	4
	005-1706	Bearing 6205-2RS; Ver. D (#262939) & above (not shown)	8
	004-4134	Wheel cover, air tire; Ver. D (#262939) & above (not shown)	8
14	006-7377	Bushing, wheel 13" air tire; Ver. C (#262938) & below	4
	006-7412	Bushing, wheel 13" air tire; Ver. D (#262939) & above	4
15	002-3911	Bolt HH M20-2.50x230 C8.8 Z P	4
16	000-5507	Nut PT M20-2.50 C6 TK Z	4
17	000-5524	Washer flat Ø33 Z	2
18	000-9622	Support, front roller; Ver. G (#270189) & below	1
	006-7354	Support, front roller; Ver. H (#270190) & above	1
19	006-7358	Front roller Ø3"	1
20	006-7363	Roller pin; Ver. G (#270189) & below	1
	006-7365	Roller pin; Ver. H (#270190) & above	1
21	000-2034	Washer flat Ø10 W	4
22	001-1328	Nut PT M08-1.25 C6 Z TK	1
23	003-0156	Nut PT M10-1.50 C6 TK Z	20
24	003-0157	Washer fender Ø10 Z	16
25	000-6349	Bolt HH M10-1.50x20 C8.8 Z F	4
26	000-8568	Washer flat Ø16 W	1
27	000-9159	Washer flat Ø36 Y	2
28	006-7414	Spacer, wheel 13" air tire; Ver. D (#262939) & above	8
29	004-6454	Bolt HH M08-1.25x16 C8.8 Z F	1

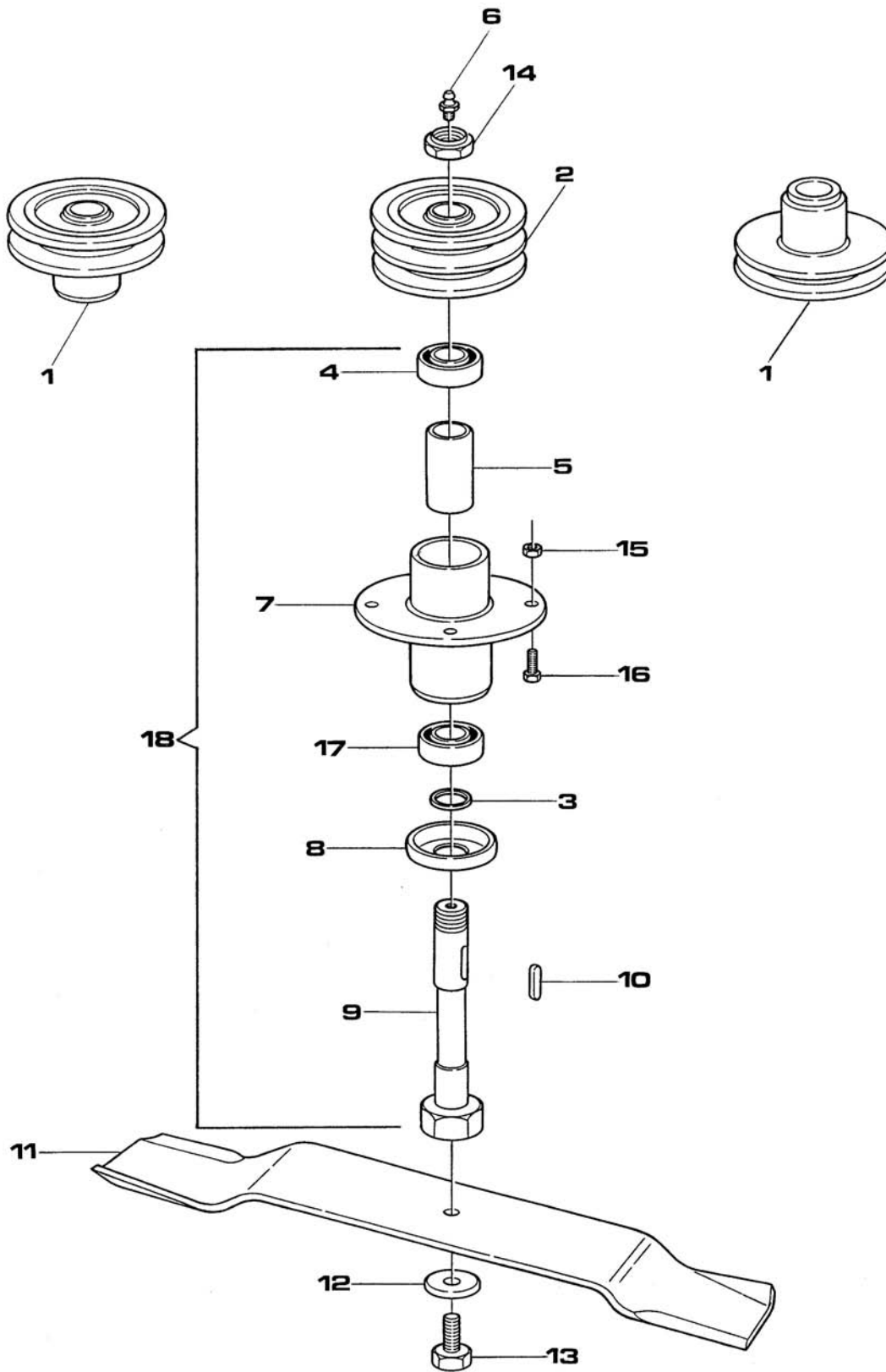
⁴ Wheel no longer available, part #006-7402 should be ordered instead. Ver. C (#262938) and below must also order two (2) outer wheel spacers (#006-7414) and one (1) bushing (#006-7412) when replacing wheel.



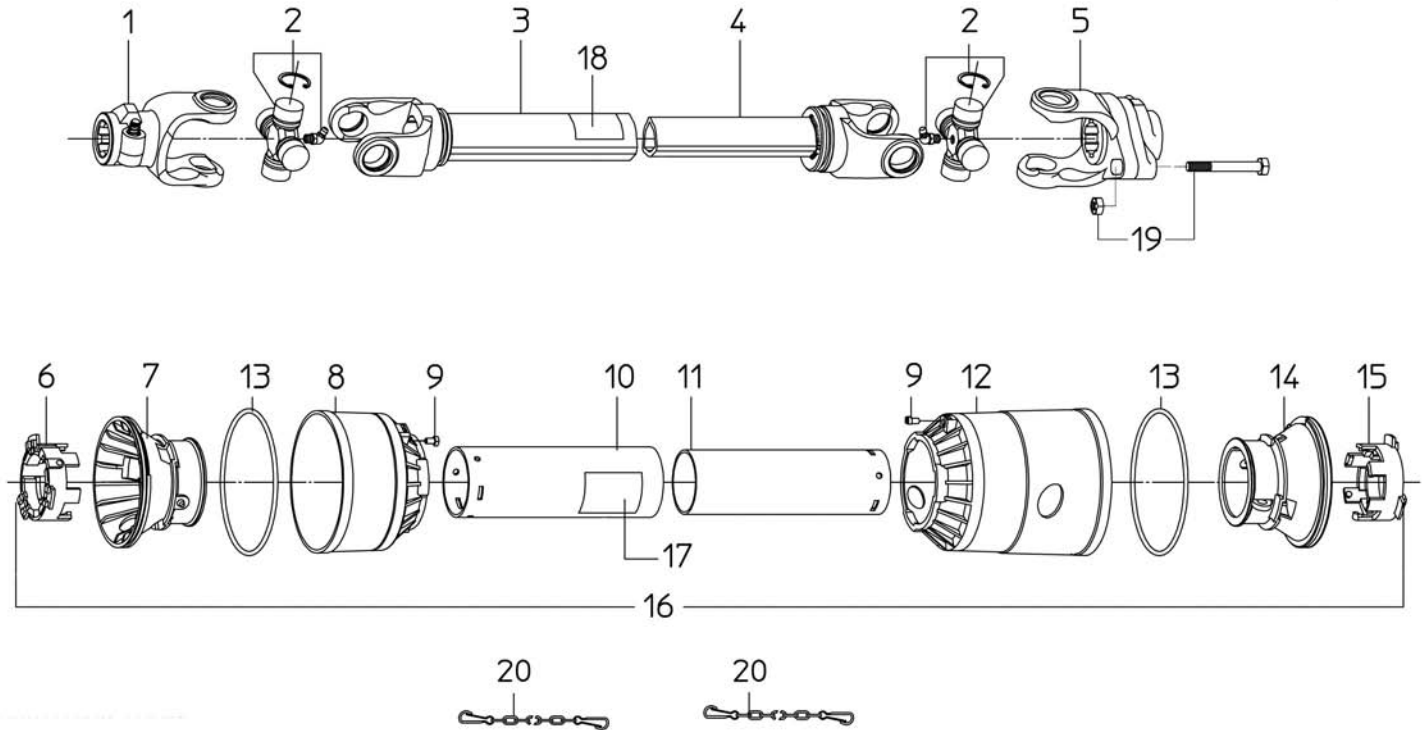
Ref.	Part #	Description	Qty.
1	000-6782	Baffling front, 4' frame	1
	000-6783	Baffling front, 5' frame	1
	000-6784	Baffling front, 6' frame	1
2	000-6776	Baffling rear, 4' frame	1
	000-6777	Baffling rear, 5' frame	1
	000-6778	Baffling rear, 6' frame	1
3	000-6780	Guard support, 6' frame	2
4	000-6795M	Blade mulching, 4' frame	3
	000-6641M	Blade mulching, 5' frame	3
	000-6845M	Blade mulching, 6' frame	3
5	009-1281	Bolt HH M10-1.50x35 C8.8 Z F	2
6	000-3038	Nut HH M12-1.75 C6 Z TK	2
7	003-0157	Washer fender Ø10 Z	-
8	003-0156	Nut PT M10-1.50 C6 TK Z	-
9	000-6349	Bolt HH M10-1.50x20 C8.8 Z F	-
10	000-2034	Washer flat Ø10 W	4
11	001-5012	Bolt HH M08-1.25x20 C8.8 Z F	1
12	001-1328	Nut PT M08-1.25 C6 Z TK	1
13	005-8500	Support, front roller (pro roller only)	1
14	005-8507	Front roller (pro roller only)	1
15	005-8504	Roller pin (pro roller only)	1
16	005-8508	Bearing 6202-2RS	2
17	005-8503	Shim Ø17x24x1.5	2
18	003-3176	Bolt HH M10-1.50x25 C8.8 Z F	4
	004-700	Mulching kit 4' frame, complete, 1 unit	-
	005-700	Mulching kit 5' frame, complete, 1 unit	-
	006-700	Mulching kit 6' frame, complete, 1 unit	-
	009-9556	Mulching kit, complete, 3 units; 412-SFL	-
	009-9557	Mulching kit, complete, 3 units; 415-SFL	-
	009-9815	Professional front roller, complete, 1 unit	-
	009-9816	Professional front roller, complete, 3 units	-



Ref.	Part #	Description	Qty.
1	005-8479	Pinion gear, helical gears	1
2	001-2149A	Bearing 6208	2
3	000-6687	Spacer	1
4	000-1154	Snap ring, inner Ø80	1
5	000-6685	Shim Ø40x50x2.5	1
6	000-8138	Snap ring, outer Ø40	1
7	000-6684	Oil seal 40.80.10	1
8	000-6698	Nut SP M25-1.50 Z	1
9	000-2295	Oil seal 35.62.10	1
10	002-5332A	Bearing 6207	1
11	005-8464	Input shaft	1
12	000-6689	Key 7x8x30	1
13	000-6661	Rear spacer (until 09/00)	1
14	005-8472A	Bearing 30206	1
15	000-6692	Pulley SPB 250x2	1
16	000-1107A	Breather cap	1
17	000-6656	Gear cover, gearbox housing	1
18	005-8477	Ring gear, helical gears	1
19	003-0064	Nut PT M12-1.75 C6 TK Z	4
20	000-6541	Support plate, gearbox	1
21	000-6658	Housing, gearbox	1
22	007-4183	Bolt CS M12-1.75x40 C10.9 Z F	4
23	000-6349	Bolt HH M10-1.50x20 C8.8 Z F	6
24	003-0193	Gasket 2/10	-
	013-0193	Gasket 5/10	-
25	000-6691	Gasket, aluminum	1
	050-0642	Gearbox 540 rpm helical gears, complete	-

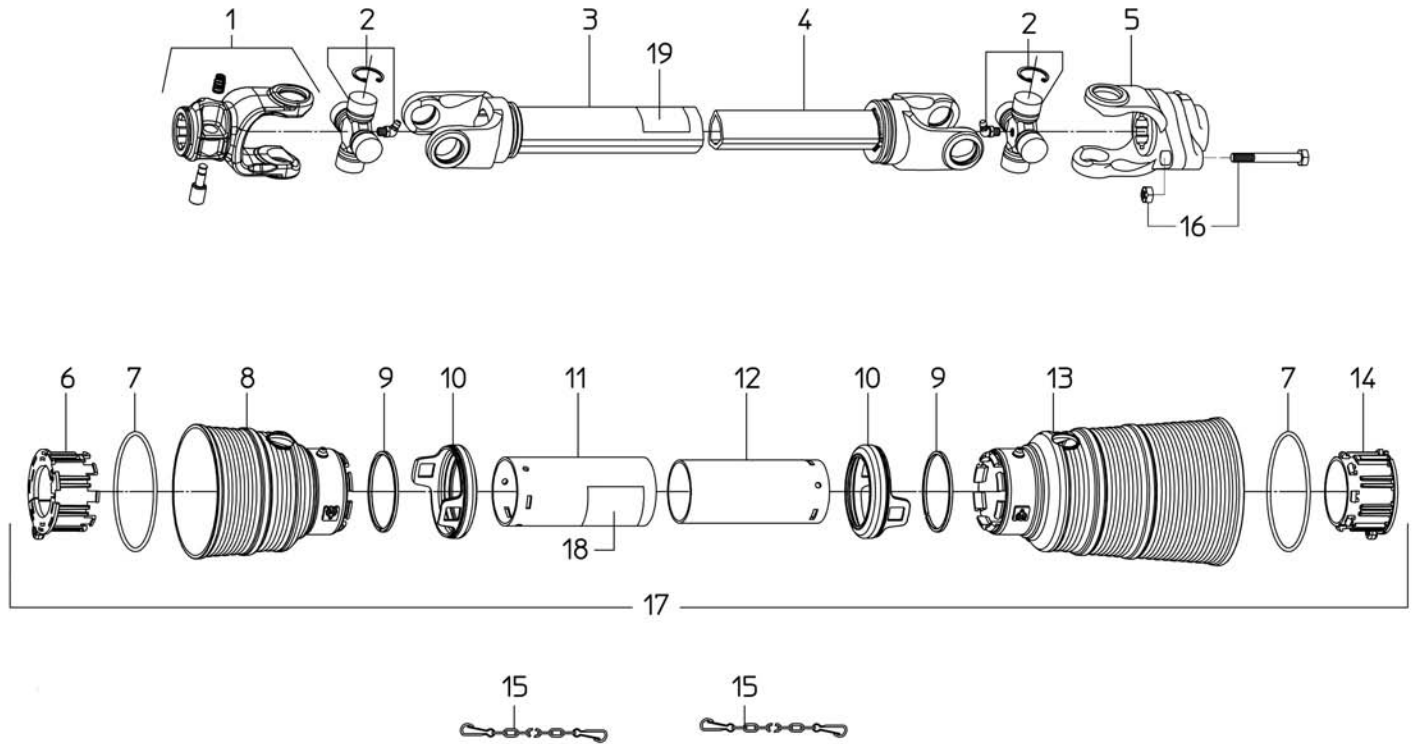


Ref.	Part #	Description	Qty.
1	000-6792	Pulley SPB 120x1, 4' frame	2
	000-6622	Pulley SPB 130x1, 5' frame	2
	000-6842	Pulley SPB 160x1, 6' frame	2
2	000-6791	Pulley SPB 120x2, 4' frame	1
	000-6621	Pulley SPB 130x2, 5' frame	1
	000-6841	Pulley SPB 160x2, 6' frame	1
3	000-6606	Shim Ø25x35x2	3
4	000-6634A	Bearing 6205-Z	3
5	000-6640	Spacer, spindle	3
6	002-9036	Grease fitting Ø8, press in	3
7	000-6648	Spindle	3
8	000-6636	Cover	3
9	000-6649	Spindle shaft	3
10	000-6639	Key 8x7x25	3
11	000-6795	Blade standard, 4' frame	3
	000-6641	Blade standard, 5' frame	3
	000-6845	Blade standard, 6' frame	3
	000-6795M	Blade mulching, 4' frame (option)	3
	000-6641M	Blade mulching, 5' frame (option)	3
	000-6845M	Blade mulching, 6' frame (option)	3
	000-6795B	Blade high lift, 4' frame (option)	3
	000-6641B	Blade high lift, 5' frame (option)	3
	000-6845B	Blade high lift, 6' frame (option)	3
	000-6795F	Blade flat, 4' frame (option)	3
	000-6641F	Blade flat, 5' frame (option)	3
	000-6845F	Blade flat, 6' frame (option)	3
	000-6795G	Blade gator, 4' frame (option)	3
	000-6641G	Blade gator, 5' frame (option)	3
	000-6845G	Blade gator, 6' frame (option)	3
12	000-8560	Washer conical spring Ø18 Z	3
13	000-6659	Bolt blade SP M14-1.50x32	3
14	000-6698	Nut SP M25-1.50 Z	3
15	003-0156	Nut PT M10-1.50 C6 TK Z	12
16	000-1278	Bolt HH M10-1.50x30 C8.8 Z F	12
17	000-6626A	Bearing 6205-ZZ	3
18	000-6629C	Spindle assembly	-

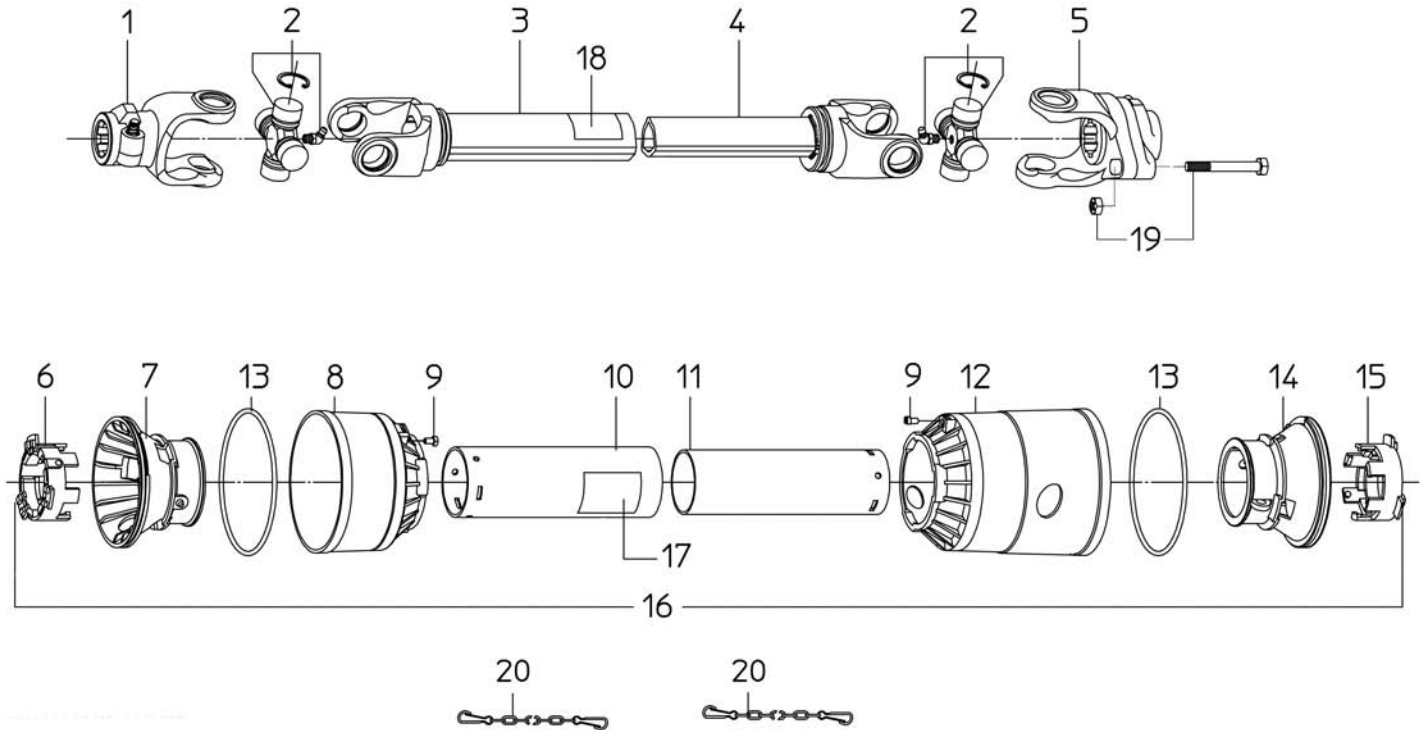


Ref.	Part #	Description	Qty.
1	1023010C	PTO yoke	1
2	1003020C	Cross & bearing	2
3	1943042NC	Outer tube	1
4	1953044NC	Inner tube	1
5	1023010C	PTO yoke; Ver. F & below	1
	1483037C	Yoke w/shear bolt; Ver. G & above	1
6	1784210C	Locking ring, outer tube; #272165 & below	1
7	1784201C	Rigid cone, outer tube; #272165 & below	1
8	1784203C	Standard cone; #272165 & below	1
9	1784212C	Pin; #272165 & below	2
10	1773040C	Shield, outer tube	1
11	1872040C	Shield, inner tube	1
12	1784205C	Long cone; #272165 & below	1
13	1213233C	Stiffening ring; #272165 & below	2
14	1784202C	Rigid cone, inner tube; #272165 & below	1
15	1784211C	Locking ring, inner tube; #272165 & below	1
16	90SL4040C	Shield, complete ⁵	1
17	950-463B	Decal "DANGER - Rotating driveline, keep away" outer shield	1
18	950-464B	Decal "DANGER - Guard missing, do not operate" outer tube	1
19	000-508E	Shear bolt; Ver. G & above	1
20	1006065C	Chain, anti-rotation	2
	050-0413	Driveline, complete; Ver. F & below	-
	050-0475	Driveline w/shear bolt, complete; Ver. G & above	-

⁵ Complete shielding is interchangeable with part #96SL4040C.

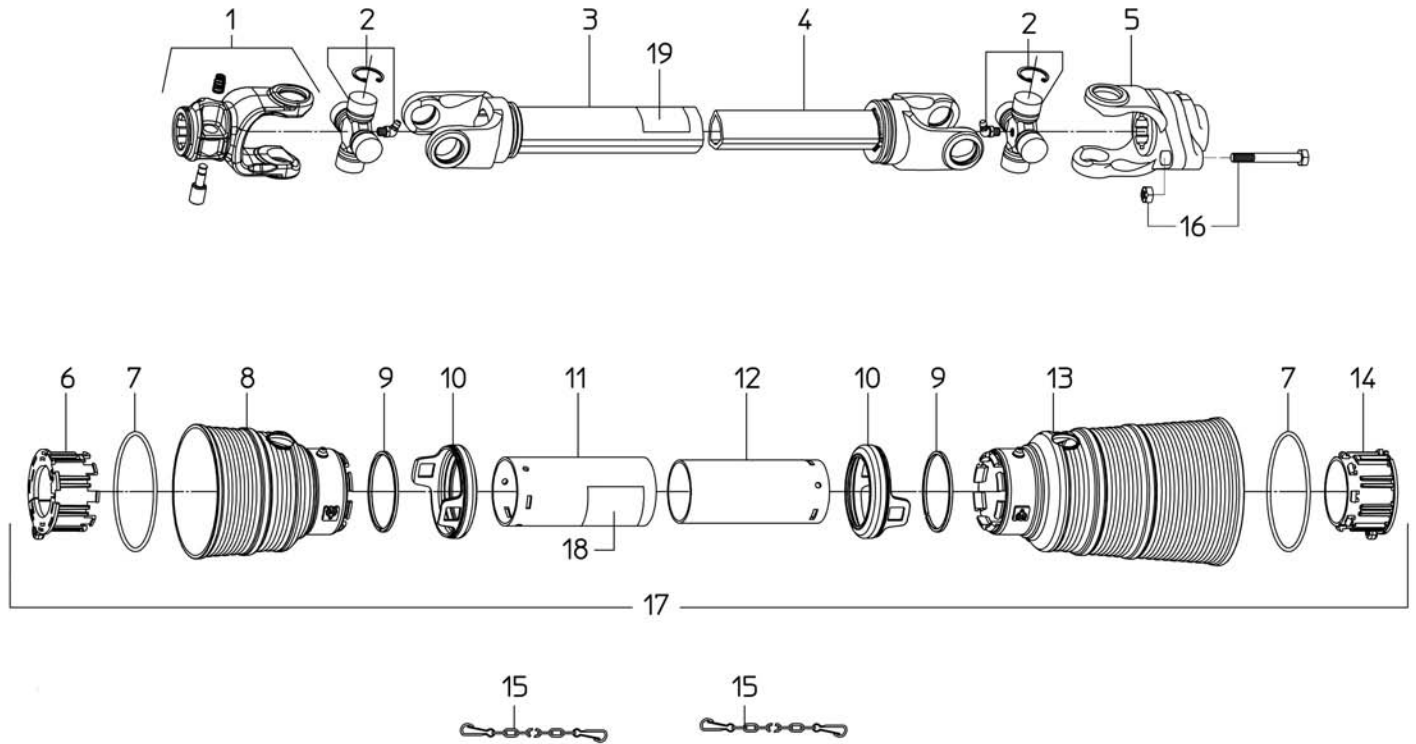


Ref.	Part #	Description	Qty.
1	1023010C	PTO yoke	1
2	1003020C	Cross & bearing	2
3	1943042NC	Outer tube	1
4	1953044NC	Inner tube	1
5	1483037C	Yoke w/shear bolt	1
6	1784710C	Locking ring, outer tube; #272166 & above	1
7	1211733C	Stiffening ring; #272166 & above	2
8	1781703C	Standard cone; #272166 & above	1
9	1211735C	Safety ring; #272166 & above	2
10	1881709C	Safety sleeve; #272166 & above	2
11	1773040C	Shield, outer tube	1
12	1872040C	Shield, inner tube	1
13	1781704C	Long cone; #272166 & above	1
14	1784711C	Locking ring, inner tube; #272166 & above	1
15	1006065C	Chain, anti-rotation	2
16	000-508E	Shear bolt	1
17	96SL4040C	Shield, complete	1
18	950-463B	Decal "DANGER - Rotating driveline, keep away" outer shield	1
19	950-464B	Decal "DANGER - Guard missing, do not operate" outer tube	1
	050-0475	Driveline w/shear bolt, complete	-

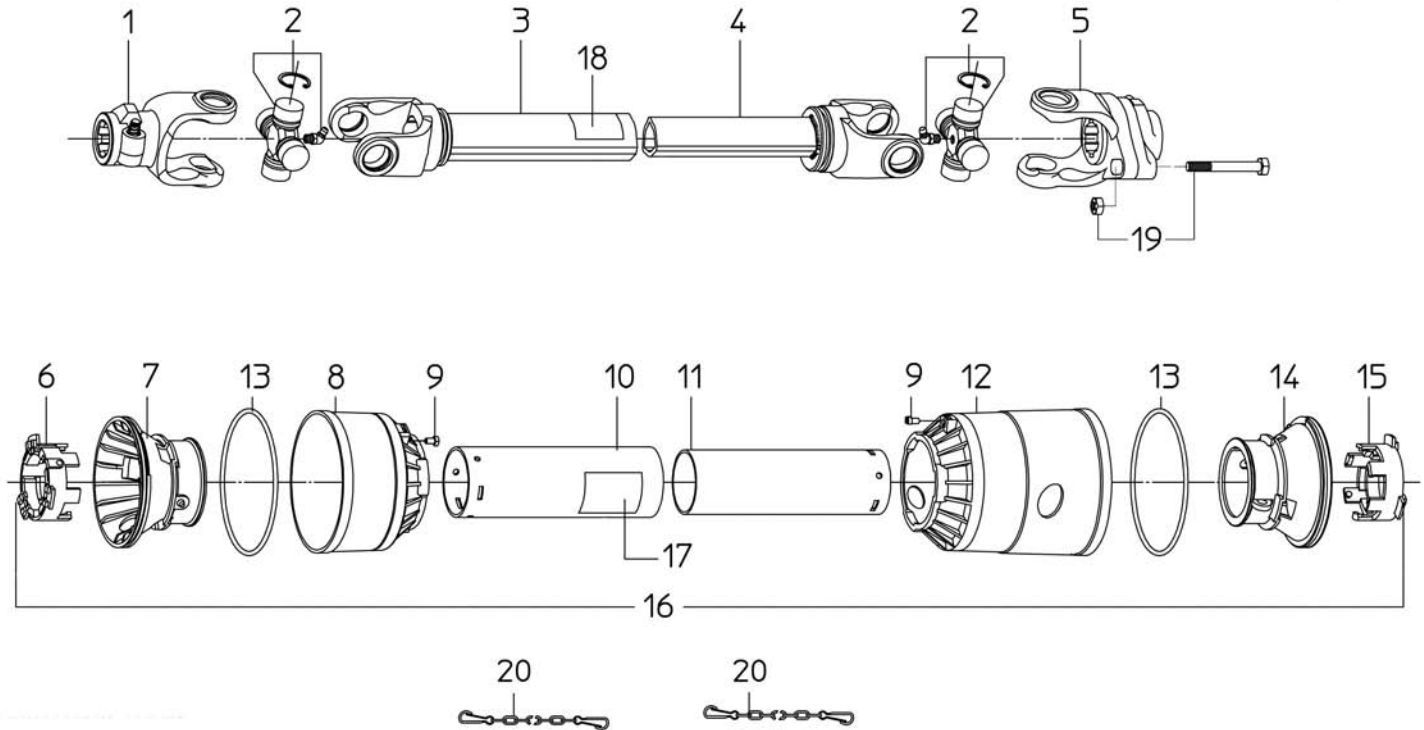


Ref.	Part #	Description	Qty.
1	1023010C	PTO yoke	1
2	1003020C	Cross & bearing	2
3	1943055NC	Outer tube	1
4	1953057NC	Inner tube	1
5	1023010C	PTO yoke; Ver. F & below	1
	1483037C	Yoke w/shear bolt; Ver. G & above	1
6	1784210C	Locking ring, outer tube; #272165 & below	1
7	1784201C	Rigid cone, outer tube; #272165 & below	1
8	1784203C	Standard cone; #272165 & below	1
9	1784212C	Pin; #272165 & below	2
10	1773053C	Shield, outer tube	1
11	1872053C	Shield, inner tube	1
12	1784205C	Long cone; #272165 & below	1
13	1213233C	Stiffening ring; #272165 & below	2
14	1784202C	Rigid cone, inner tube; #272165 & below	1
15	1784211C	Locking ring, inner tube; #272165 & below	1
16	90SL4053C	Shield, complete ⁶	1
17	950-463B	Decal "DANGER - Rotating driveline, keep away" outer shield	1
18	950-464B	Decal "DANGER - Guard missing, do not operate" outer tube	1
19	000-508E	Shear bolt; Ver. G & above	1
20	1006065C	Chain, anti-rotation	2
	050-0414	Driveline, complete; Ver. F & below	-
	050-0476	Driveline w/shear bolt, complete; Ver. G & above	-

⁶ Complete shielding is interchangeable with part #96SL4053C.

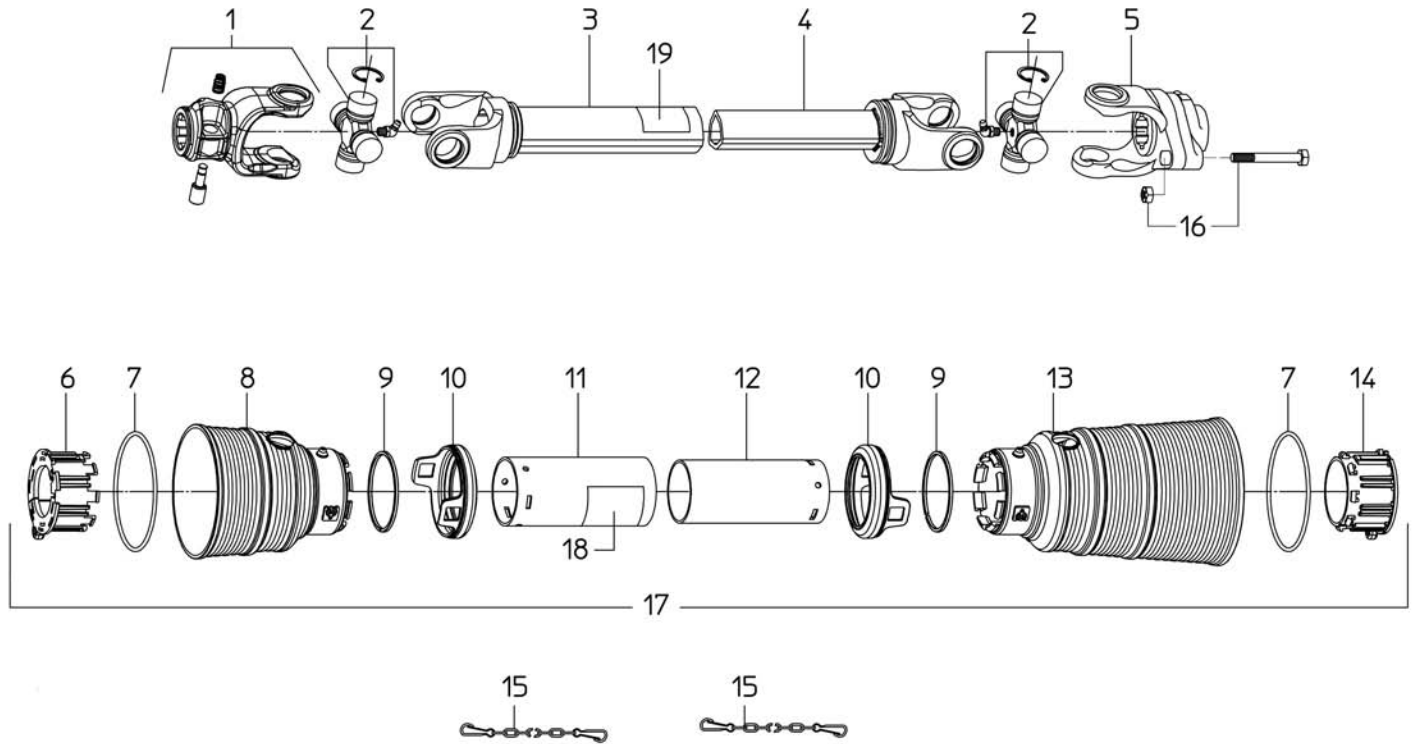


Ref.	Part #	Description	Qty.
1	1023010C	PTO yoke	1
2	1003020C	Cross & bearing	2
3	1943055NC	Outer tube	1
4	1953057NC	Inner tube	1
5	1483037C	Yoke w/shear bolt	1
6	1784710C	Locking ring, outer tube; #272166 & above	1
7	1211733C	Stiffening ring; #272166 & above	2
8	1781703C	Standard cone; #272166 & above	1
9	1211735C	Safety ring; #272166 & above	2
10	1881709C	Safety sleeve; #272166 & above	2
11	1773053C	Shield, outer tube	1
12	1872053C	Shield, inner tube	1
13	1781704C	Long cone; #272166 & above	1
14	1784711C	Locking ring, inner tube; #272166 & above	1
15	1006065C	Chain, anti-rotation	2
16	000-508E	Shear bolt	1
17	96SL4053C	Shield, complete	1
18	950-463B	Decal "DANGER - Rotating driveline, keep away" outer shield	1
19	950-464B	Decal "DANGER - Guard missing, do not operate" outer tube	1
	050-0476	Driveline w/shear bolt, complete	-

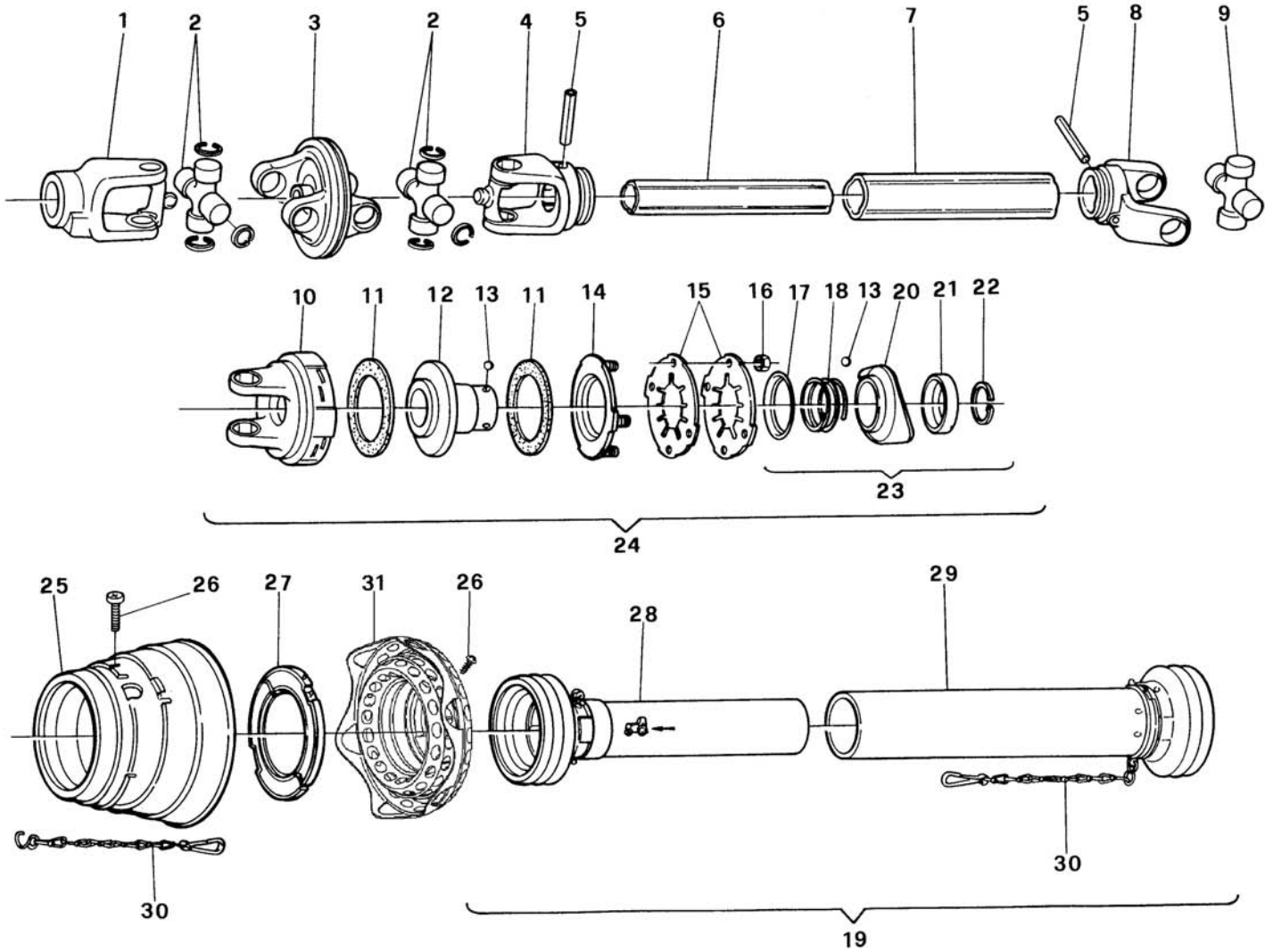


Ref.	Part #	Description	Qty.
1	1023010C	PTO yoke	1
2	1003020C	Cross & bearing	2
3	1943070NC	Outer tube	1
4	1953072NC	Inner tube	1
5	1023010C	PTO yoke; Ver. F & below	1
	1483037C	Yoke w/shear bolt; Ver. G & above	1
6	1784210C	Locking ring, outer tube; #272165 & below	1
7	1784201C	Rigid cone, outer tube; #272165 & below	1
8	1784203C	Standard cone; #272165 & below	1
9	1784212C	Pin; #272165 & below	2
10	1773068C	Shield, outer tube	1
11	1872068C	Shield, inner tube	1
12	1784205C	Long cone; #272165 & below	1
13	1213233C	Stiffening ring; #272165 & below	2
14	1784202C	Rigid cone, inner tube; #272165 & below	1
15	1784211C	Locking ring, inner tube; #272165 & below	1
16	90SL4068C	Shield, complete ⁷	1
17	950-463B	Decal "DANGER - Rotating driveline, keep away" outer shield	1
18	950-464B	Decal "DANGER - Guard missing, do not operate" outer tube	1
19	000-508E	Shear bolt; Ver. G & above	1
20	1006065C	Chain, anti-rotation	2
	050-0415	Driveline, complete; Ver. F & below	-
	050-0477	Driveline w/shear bolt, complete; Ver. G & above	-

⁷ Complete shielding is interchangeable with part #96SL4068C.

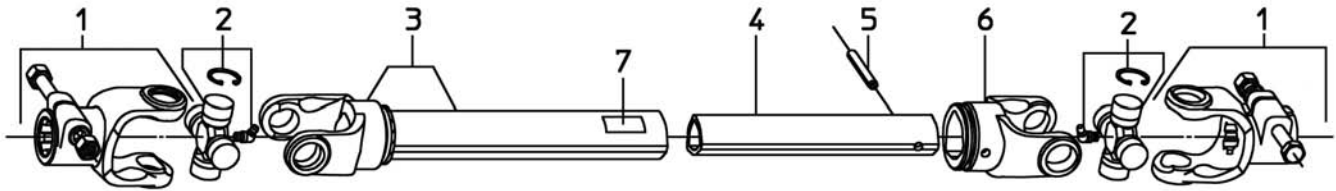


Ref.	Part #	Description	Qty.
1	1023010C	PTO yoke	1
2	1003020C	Cross & bearing	2
3	1943070NC	Outer tube	1
4	1953072NC	Inner tube	1
5	1483037C	Yoke w/shear bolt	1
6	1784710C	Locking ring, outer tube; #272166 & above	1
7	1211733C	Stiffening ring; #272166 & above	2
8	1781703C	Standard cone; #272166 & above	1
9	1211735C	Safety ring; #272166 & above	2
10	1881709C	Safety sleeve; #272166 & above	2
11	1773068C	Shield, outer tube	1
12	1872068C	Shield, inner tube	1
13	1781704C	Long cone; #272166 & above	1
14	1784711C	Locking ring, inner tube; #272166 & above	1
15	1006065C	Chain, anti-rotation	2
16	000-508E	Shear bolt	1
17	96SL4068C	Shield, complete	1
18	950-463B	Decal "DANGER - Rotating driveline, keep away" outer shield	1
19	950-464B	Decal "DANGER - Guard missing, do not operate" outer tube	1
	050-0477	Driveline w/shear bolt, complete	-



Ref.	Part #	Description	Qty.
1	366838W	PTO yoke 2380; Ver. B & below	1
	134548W	PTO yoke 2380; Ver. C & above	1
2	382701W	Cross & bearing 2380; Ver. B & below	2
	116550W	Cross & bearing 2380; Ver. C & above	2
3	384517W	Double yoke 2380	1
4	366862W	Yoke, inner tube 2380	1
5	020616W	Roll pin Ø10x75	2
6	046753W	Inner tube 2380; Ver. B & below	1
	135895W	Inner tube 2380; Ver. C & above	1
7	054602W	Outer tube 2380; Ver. B & below	1
	135897W	Outer tube 2380; Ver. C & above	1
8	041577W	Yoke, outer tube 2380	1
9	044444W	Cross & bearing	1
10	185836W	Clutch housing	1
11	168556W	Friction disc	2
12	051551W	Rotor	1
13	020692W	Lock roller	6
14	381495W	Thrust plate	1
15	043489W	Disc spring	2
16	381957W	Nut	4
17	047825W	Back up ring	1
18	045793W	Spring	1
19	106724W	Shield, complete; Ver. B & below	1
	693275W	Shield, complete; Ver. C & above	1
20	045790W	Bushing	1
21	338531W	Back up ring	1
22	304149W	Snap ring	1
23	341953W	Quick disconnecting lock	1
24	317189W	Slip clutch, complete	1
25	365715W	Protection; Ver. B & below	1
	134401W	Protection; Ver. C & above	1
26	365305W	Bolt	10
27	365717W	Bearing ring	1
28	185530W	Shield, outer tube; Ver. B & below	1
	116475W	Shield, outer tube; Ver. C & above	1
29	368508W	Shield, inner tube	1
30	044321W	Chain, anti-rotation	2
31	134847W	Guard cone; Ver. C & above	1
	050-0040	Main driveline, complete; Ver. B & below ⁸	-
	050-0042	Main driveline, complete; Ver. C & above	-
	950-463B	Decal "DANGER - Rotating driveline, keep away" outer shield	1
	950-464B	Decal "DANGER - Guard missing, do not operate" outer tube	1

⁸ Interchangeable with driveline #050-0042.



Ref.	Part #	Description	Qty.
1	1106010C	PTO yoke	2
2	1006020C	Cross & bearing	2
3	1906022WC	Outer tube	1
4	1526030C	Inner tube	1
5	000-016E	Roll pin Ø10x70	1
6	1706029C	Yoke, inner tube	1
7	950-464B	Decal "DANGER - Guard missing, do not operate" outer tube	1
	050-0485	PTO shaft, complete; Ver. G & above	1

Use only original spare parts

All rights reserved. It is unlawful to copy, reprint or use any of the information or details in this manual without the expressed written permission of the Company. Technical information provided in this manual is approximate, the Company reserves the right to modify or improve the models shown for technical or commercial purposes. Pictures in this manual do not necessarily show the machine as delivered.

BEFCO[®]

P.O. Box 6036
Rocky Mount, NC 27802-6036
Tel.: 252.977.9920 - Fax: 252.977.9718
www.befco.com

